

DOOR AND FRAME SCHEDULE

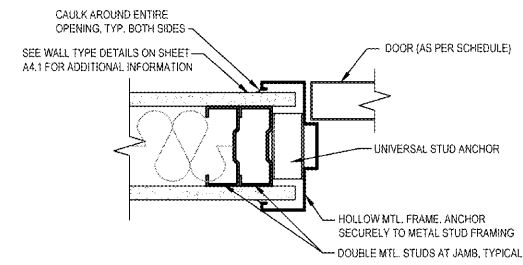
DOOR NO.	SIZE	DOOR			FRAME			FIRE LABEL	HARDWARE GROUP	HEAD/JAMB DETAIL	REMARKS
		TYPE	MATL	FINISH	TYPE	MATL	FINISH				
01A	12'-0" x 7'-8" HFT PACKAGED UNIT	A	GLASS/ALUM.	CLEAR ANODIZED	PER MANF.	ALUM.	CLEAR ANODIZED	-	SUPPLIED BY DORMA	PER MANF.	G.C. TO COORDINATE FINAL DOOR AND FRAME DIMENSIONS WITH DORMA. SEE VENDOR INFORMATION ON SHEET A0.0 FOR CONTACT INFORMATION. GLAZING TO BE 1" INSULATED.
01B	12'-0" x 7'-8" HFT PACKAGED UNIT	A	GLASS/ALUM.	CLEAR ANODIZED	PER MANF.	ALUM.	CLEAR ANODIZED	-	SUPPLIED BY DORMA	PER MANF.	G.C. TO COORDINATE FINAL DOOR AND FRAME DIMENSIONS WITH DORMA. SEE VENDOR INFORMATION ON SHEET A0.0 FOR CONTACT INFORMATION. GLAZING TO BE 1/4" TEMPERED.
02	3'-0" x 7'-0" x 1 3/4"	B	S.C. WOOD	PAINTED	1	H.M.	PAINTED	-	1	A&B/A&D	SEE DOOR SCHEDULE NOTES.
03	3'-0" x 7'-0" x 1 3/4"	B	S.C. WOOD	PAINTED	1	H.M.	PAINTED	-	2	A&B/A&D	SEE DOOR SCHEDULE NOTES.
04	3'-0" x 7'-0" x 1 3/4"	B	S.C. WOOD	PAINTED	1	H.M.	PAINTED	-	2	A&B/A&D	SEE DOOR SCHEDULE NOTES.
05	3'-0" x 7'-0" x 1 3/4"	B	S.C. WOOD	PAINTED	1	H.M.	PAINTED	-	4	A&B/A&D	UNDERCUT DOOR TO PROVIDE 1" CLEARANCE. LATCH SET SHALL BE "PRIVACY" TYPE.
06	3'-0" x 7'-0" x 1 3/4"	B	S.C. WOOD	PAINTED	1	H.M.	PAINTED	-	4	A&B/A&D	UNDERCUT DOOR TO PROVIDE 1" CLEARANCE. LATCH SET SHALL BE "PRIVACY" TYPE.
07	3'-0" x 7'-0" x 1 3/4"	B	S.C. WOOD	PAINTED	1	H.M.	PAINTED	-	3	A&B/A&D	SEE DOOR SCHEDULE NOTES.
08	8'-0" x 10'-0" x 1 1/2"	D	MTL.	GALV.	BY MANF.	MTL.	PAINTED	-	5	N/A	CHAIN OPERATED INSULATED SERVICE DOOR FURNISHED AND INSTALLED BY O.H. DOOR VENDOR AT OPENING. VERIFY OPENING SIZE IN FIELD BEFORE ORDERING DOOR.
09	3'-0" x 7'-0" x 1 3/4"	C	H.M.	PAINTED	3	H.M.	PAINTED	-	6	N/A	VERIFY OPENING SIZE IN FIELD BEFORE ORDERING DOOR. SEE DOOR SCHEDULE NOTES. INSTALL ADDRESS ON THIS DOOR.
10	3'-0" x 7'-0" x 1 3/4"	C	H.M.	PAINTED	3	H.M.	PAINTED	-	6A	N/A	VERIFY OPENING SIZE IN FIELD BEFORE ORDERING DOOR. SEE DOOR SCHEDULE NOTES. DO NOT INSTALL ADDRESS ON THIS DOOR.

HARDWARE GROUP

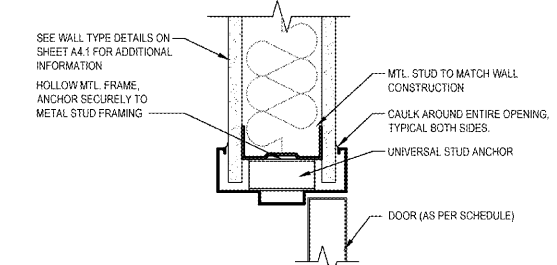
GROUP #1 (MANAGER, UTILITY)	GROUP #2 (CASH ROOM DOORS)	GROUP #3 (BREAK ROOM)	GROUP #4 (RESTROOMS)	GROUP #5 (OVERHEAD DOORS)	GROUP #6 (SINGLE EXIT DOORS)
BUTTS: 1-1/2" PAIR MCKINNEY MP 79, 4 1/2" x 4 1/2" 260.	BUTTS: 1-1/2" PAIR MCKINNEY MP 79, 4 1/2" x 4 1/2" 260.	BUTTS: 1-1/2" PAIR MCKINNEY MP 79, 4 1/2" x 4 1/2" 260.	BUTTS: 1-1/2" PAIR MCKINNEY MP 79, 4 1/2" x 4 1/2" 260.	DOOR PANELS: 2 3/4" INSULATED STEEL INTERLOCKING FLAT SLAT CURTAIN W/ ENDLOCKS @ BOTH ENDS BY VENDOR SCHLAGE KS41F1200	BUTTS: 1-1/2" PAIR MCKINNEY MP 79, 4 1/2" x 4 1/2" 260.
LATCH SET: FALCON ENTRANCE LEVER W911HD-D-231F-7 PIN-626	LATCH SET: FALCON STOREROOM LEVER W911HD-D-626	LATCH SET: FALCON PASSAGE LEVER W1015-D-626	LATCH SET: FALCON PASSAGE LEVER W1015-D-626 (MULTI-USE RESTROOMS)		EXIT DEVICE: VON DÜPRIN GUARD-X 2670-US28
LATCH GUARD: DON-JO I.P.212-SL	LATCH GUARD: DON-JO I.P.212-SL	CLOSER: FALCON SC71 RW/PA-689 (MTD. ON INSIDE)	FALCON PRIVACY LEVER K3015-D-626 (SINGLE-USE RESTROOMS)	CYLINDER CORE: FALCON C649 (HCK, HIG-R26 SCHLAGE 80-036-GRN 24 GA. MIN. GALVANIZED STEEL BY VENDOR HAND CHAIN BY VENDOR)	CYLINDER CORE: FALCON C207-SC-226D
CYLINDER CORE: FALCON C649 (CKWY-7 PIN)-626	HEAD BOLT: FALCON D241H-S0-231F-7 PIN-626	KICKPLATE: ROCKWOOD K1050 - 10x34 US320	CLOSER: FALCON SC71 RW/PA-689 (MTD. ON INSIDE)		CONST. CORE: FALCON C607-CCA-7-PIN
CLOSER: FALCON SC71 RW/PA-689 (MTD. ON INSIDE)	CYLINDER CORE: (2) FALCON C549 (CKWY-7 PIN)-626	SILENCER: (3) ROCKWOOD 608-260	FLOOR STOP: ROCKWOOD 441-US260 DOME STOP		HOUSING: FALCON C963 (CKWY-7 PIN) 626
KICKPLATE: ROCKWOOD K1050 - 10x34 US320	SILENCER: (3) ROCKWOOD 608-260	FLOOR STOP: ROCKWOOD 441-US260 DOME STOP			CLOSER: FALCON SC71 RW/PA-689 (MTD. INSIDE)
SILENCER: (3) ROCKWOOD 608-260	FLOOR STOP: ROCKWOOD 441-US260 DOME STOP				DOOR STOP: ROCKWOOD 472-260 STOP W/ KEEPER
FLOOR STOP: ROCKWOOD 441-US260 DOME STOP					DOOR VIEWER: DOOR VIEWER SA000 AL.S
DOOR VIEWER: ROCKWOOD 622-260 (DOOR VIEWERS FOR MANAGER OFFICE SIDE OF DOORS ONLY. NO DOOR VIEWERS INSTALLED ON UTILITY DOORS)	DOOR VIEWER: ROCKWOOD 622-260				DOOR STOP: ROCKWOOD 472-260 STOP W/ KEEPER
					DOOR VIEWER: DOOR VIEWER SA000 AL.S
					DOOR BOTTOM: PEMKO 315-CN MILL 36"
					GASKETING: PEMKO 303 AV (1) 35", (2) 84"
					THRESHOLD: PEMKO 171-A MILL 36"
					DOOR FULL: ROCKWOOD 131-260 (MTD. INSIDE)
					LATCH GUARD: DON-JO NLP-110 (EXTERIOR)
					DRIP EDGE: PEMKO 346C RAIN DRIP 40" (EXTERIOR)

DOOR SCHEDULE NOTES

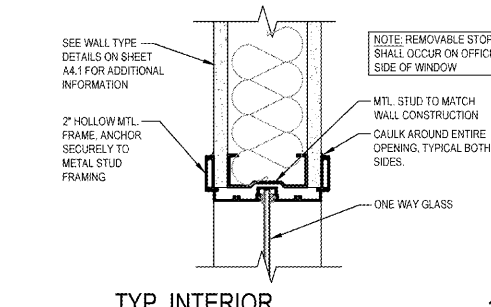
- RATED DOORS SHALL BE A TIGHT-FITTING SMOKE AND DRAFT CONTROL ASSEMBLY.
- ALL EXISTING/NEW DOORS AND HARDWARE SHALL COMPLY WITH CURRENT ADA REGULATIONS.
- ALL INTERIOR/EXTERIOR METAL DOORS SHALL BE 20 GA. MINIMUM.
- ALL DOOR HARDWARE SHALL BE LEVER TYPE OR PANIC HARDWARE.
- EXTERIOR DOORS SHALL BE OPERABLE FROM THE INSIDE WITHOUT THE USE OF A KEY, SPECIAL KNOWLEDGE OR EFFORT.
- OPENINGS SHALL BE A MINIMUM OF 32" WIDE WHEN DOOR IS AT RIGHT ANGLE TO CLOSED POSITION.
- BOTTOM 10" OF ALL DOORS SHALL HAVE A SMOOTH, UNINTERRUPTED SURFACE FOR OPENING BY WHEELCHAIR FOOT REST.
- MAXIMUM EFFORT TO OPERATE DOORS SHALL NOT EXCEED 5 LBS. FOR EXTERIOR DOORS AND 3 LBS. FOR INTERIOR DOORS WITH A PUSH OR PULL EFFORT BEING APPLIED AT RIGHT ANGLES TO HINGED DOOR AND TO THE CENTER OF FOLDING OR FOLDING DOORS. COMPENSATING DEVICES OR AUTOMATIC DOOR OPERATIONS MAY BE USED TO MEET THE ABOVE STANDARDS, WHEN FIRE DOORS ARE REQUIRED. THE MAXIMUM EFFORT TO OPERATE THE DOORS MAY INCREASE TO EXCEED 14 LBS. W/ CLOSURE.
- SUBMIT HARDWARE CUT SHEETS FOR ANY ALTERATIONS TO HFT REPRESENTATIVE PRIOR TO ORDERING HARDWARE FOR APPROVAL.
- REPLACE ALL EXISTING HARDWARE, TO COMPLY WITH HARDWARE SCHEDULE.
- PROVIDE A SIGN ABOVE ALL ENTRANCE DOOR STATES THAT "THIS DOOR IS REMAINING UNLOCKED DURING BUSINESS HOURS". LETTERS SHALL BE AT LEAST 1" IN HEIGHT AND SHALL BE WHITE ON A CONTRASTING BACKGROUND.
- CONTRACTOR SHALL COORDINATE THE TYPE OF LOCKS WITH OWNER PRIOR TO INSTALLATION.
- ALL HARDWARE LISTED TO BE SUPPLIED MUST BE LISTED MANUFACTURER OF EQUAL.
- ALL DOOR HARDWARE TO BE FINISHED G.P. FINISH.
- EXTERIOR DOOR FRAMES, INCLUDING OVERHEAD DOOR FRAMES, SHALL BE PAINTED TO MATCH THE ADJ. FINISH ON THE EXTERIOR AND PAINTED P-8 ON THE INTERIOR. SEE FINISH SCHEDULE ON SHEET A1.3.
- INTERIOR DOOR AND FRAMES TO BE PAINTED P-8. SEE FINISH SCHEDULE ON SHEET A1.3.
- BI-PARTING DOOR THRESHOLDS TO BE PROVIDED AND INSTALLED BY DOOR VENDOR.
- PROVIDE 8" HIGH BRASS VINYL NUMBERS STATING STREET ADDRESS IN HELVETICA FONT STYLE ON TRANSOM AT MAIN ENTRY DOOR. INTERIOR DOOR FRAMES SHALL BE MIN. 20GA. EXTERIOR DOOR FRAMES SHALL BE MIN. 18GA. WELDED FRAMES.



A TYP. INTERIOR DOOR JAMB DETAIL
SCALE: 3" = 1'-0"



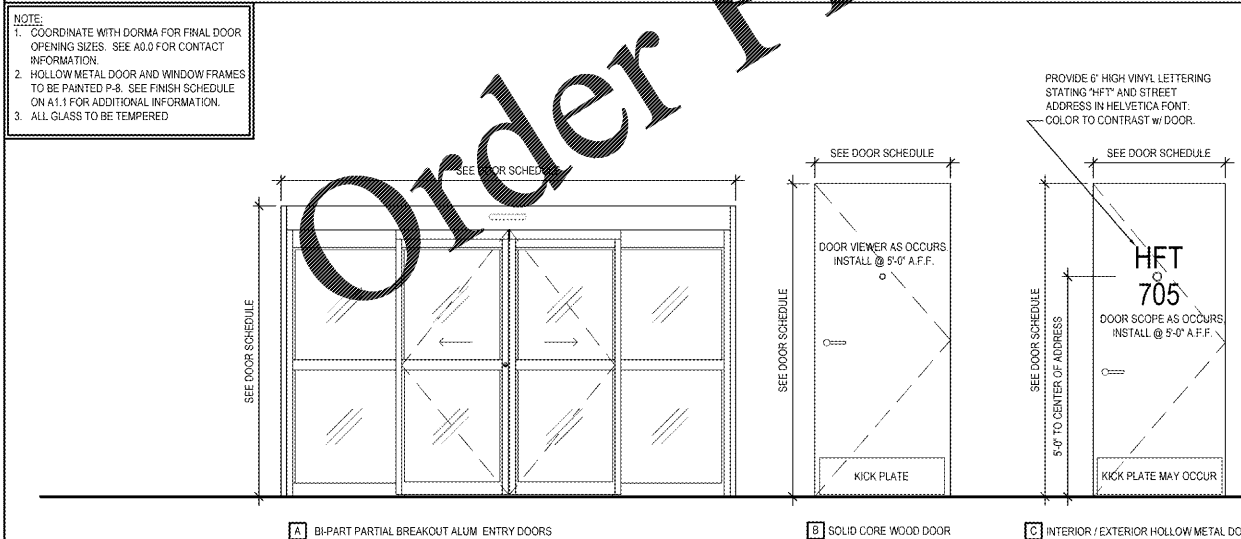
B TYP. INTERIOR DOOR HEAD DETAIL
SCALE: 3" = 1'-0"



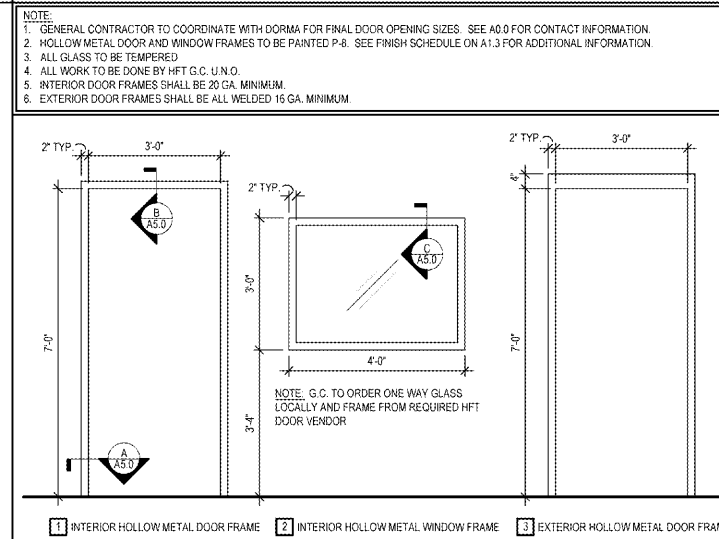
C TYP. INTERIOR WINDOW HEAD DETAIL
SCALE: 3" = 1'-0"

Order Plans @ www.LDMLive.com

DOOR TYPES



FRAME TYPES



DO NOT SCALE THESE DRAWINGS

REVISIONS	
#	DATE
1	
2	
3	
4	
5	
6	
7	
8	
9	
10	

DOOR SCHEDULE & DETAILS

DATE: 06/02/20
JOB NO.: 19155

A5.0

SHEET NO.

HARBOR FREIGHT TOOLS

705 WYATT ROAD NORTHWEST
CLEVELAND, TN 37312

ARCHITECTS, INC.
17710 Detroit Avenue, Lakewood, Ohio 44107
Phone (216) 521-5134 Fax (216) 521-4824
www.aadarchitects.com



This document (instrument of service) was prepared by ADA Architects, Inc. ("ADA") specifically for the referenced project and is intended for use only for the project. ADA makes no warranty, express or implied, for any other use. This instrument of service shall not be used on other projects. In addition, to the extent of this project, the completion of this project is subject to ADA's prior written consent. Any unauthorized use of this instrument of service shall be at the user's sole risk and without liability to ADA. ADA makes no warranty, express or implied, of fitness for a particular purpose.