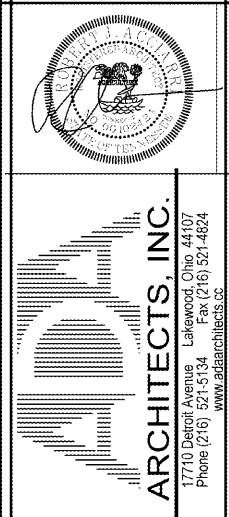
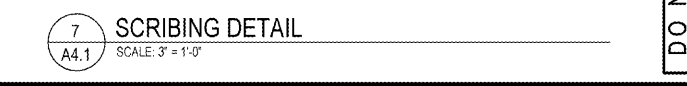
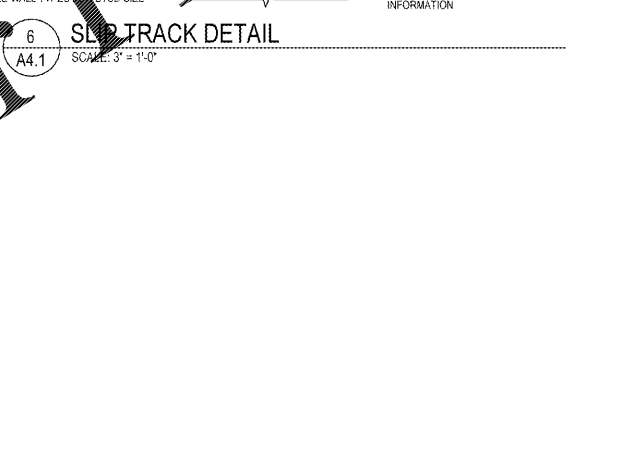
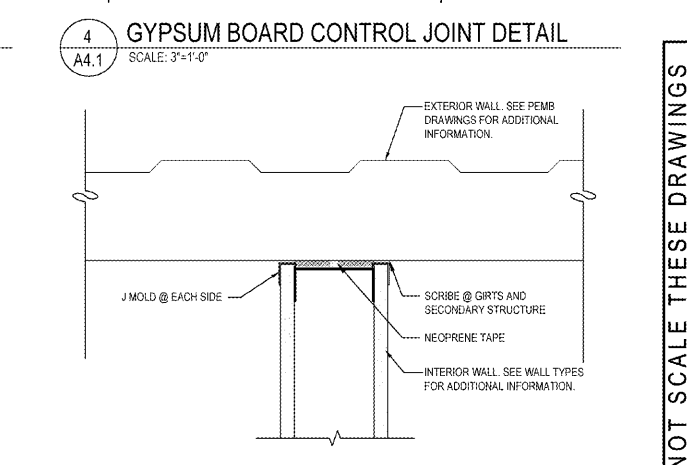
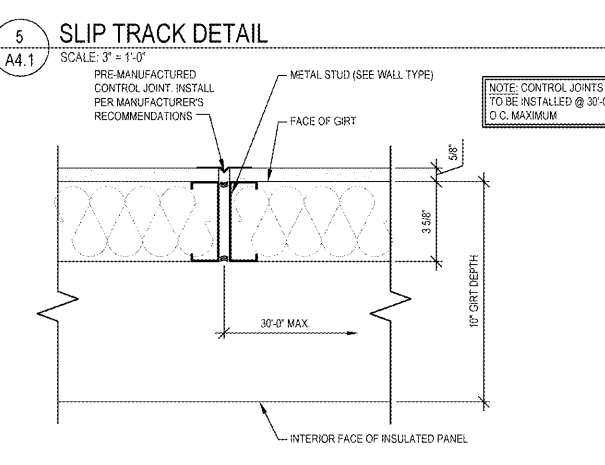
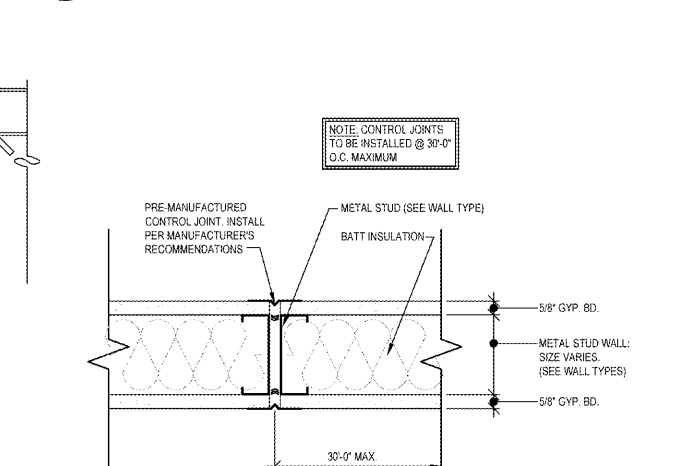
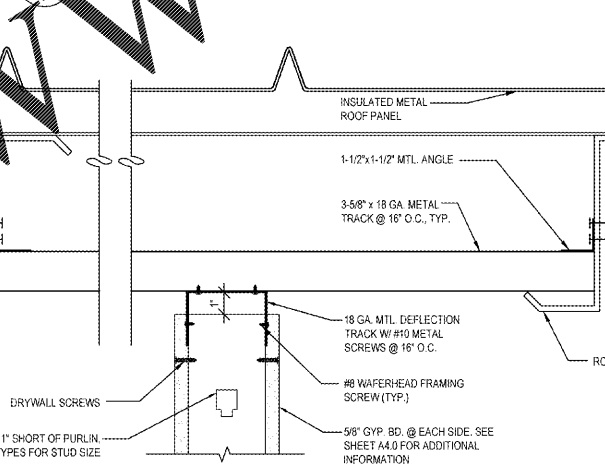
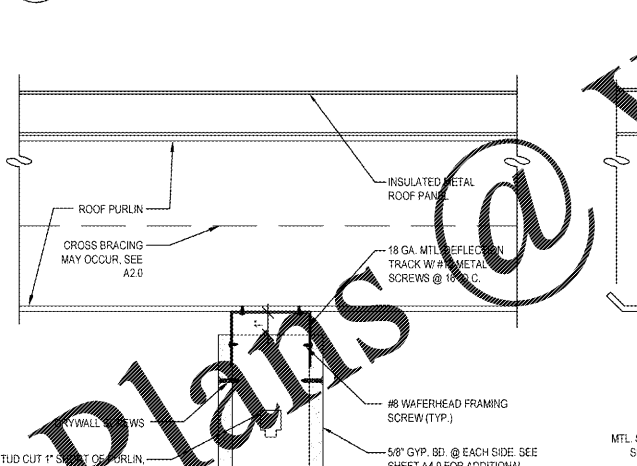
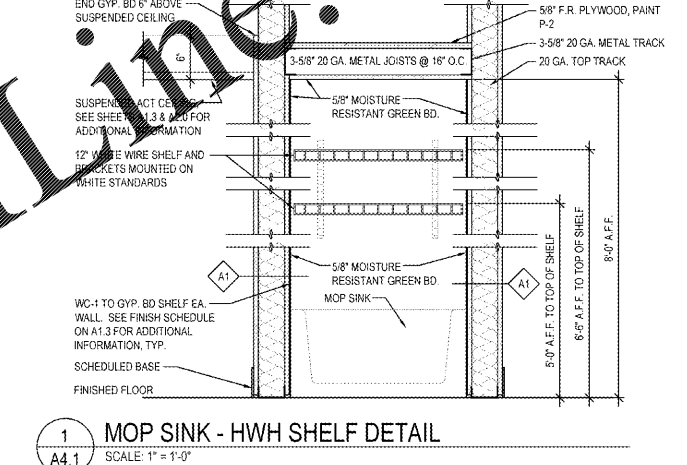
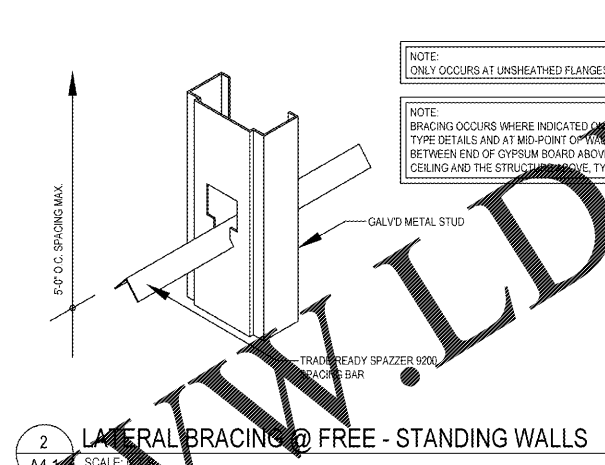
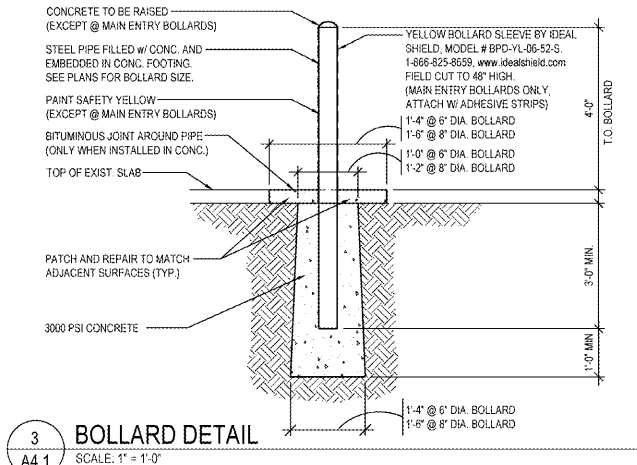
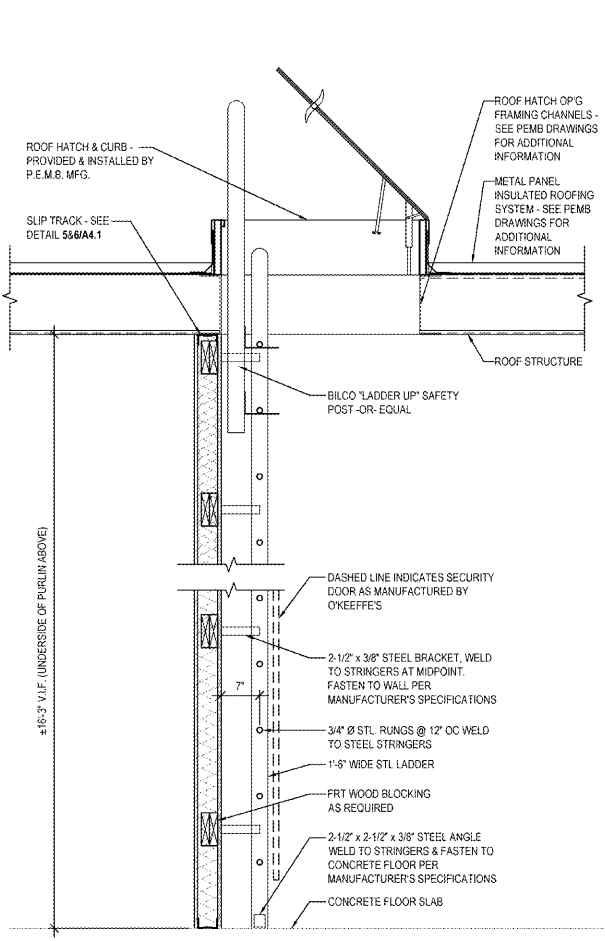


- ### WALL TYPE NOTES
- REFER TO GENERAL NOTES ON SHEET A0.2 FOR ADDITIONAL INFORMATION.
 - HFT GENERAL CONTRACTOR TO VISIT SITE AND VERIFY EXISTING CONDITIONS PRIOR TO SUBMITTING PROPOSALS AND COMMENCING WORK.
 - THE MATERIALS AND DETAILS SHOWN ARE FOR TYPICAL INSTALLATIONS WHERE THE STUD MANUFACTURER'S RECOMMENDATIONS OR LOCAL ORDINANCES ARE MORE RESTRICTIVE, THEY SHALL APPLY.
 - TYPICAL FASTENERS:
 - METAL STUDS TO METAL STUDS OR TRACKS: #18 X 1/2" SMS/2 WITH PHIL PAN HEAD FOR 25 GA. OR 20 GA. #10 - 16 X 9/16" SMS/3 WITH PHIL PAN HEAD FOR INTERCONNECTION OF 18 GA. OR 16 GA.
 - METAL STUDS OR TRACKS TO WOOD PURLINS, GIRDERS & BEAMS: #14-10 X 1 1/2" H.W.H. TYPE "S" METAL TO WOOD SMS.
 - METAL STUDS OR TRACKS TO STRUCTURAL STEEL (TUBE STEEL, WIDE FLANGE COLUMNS, BEAMS, GIRDERS, ETC.): SMS/3 OR SMS/4 - GAUGE AND LENGTH AS REQUIRED FOR THE COMBINED THICKNESS OF THE FRAMING TO BE DRILLED.
 - PLYWOOD TO METAL STUDS: #10 - 24 X 3/4" SMS/G (PLYMETAL SMS) WITH THIN WAFFER HEAD.
 - GYP. BOARD TO METAL STUDS: #7 X 1 1/4" H-L-O TYPE "S" BUGLE HEAD SCREWS FOR 3/8" TO 5/8" GYP. BOARD TO 25 GAUGE OR 20 GAUGE STUDS; #6 X 1 1/4" TYPE "S" BUGLE HEAD SCREWS FOR 3/8" TO 5/8" TO 18 GA. OR 16 GA. METAL STUDS OR TRACKS.
 - CONCRETE TO METAL STUDS: 1/2" DIA. SHOT PIN WITH MIN. 3/4" EMBEDMENT @ 16" O.C. SPACING. SEE STRUCTURAL DRAWINGS.
 - DRYWALL CONTROL JOINTS ARE TO BE INSTALLED AT MINIMUM 30'-0" O.C. AT PARTITIONS, UNLESS OTHERWISE NOTED.
 - AT PARTITIONS HIGHER THAN 12'-0" PROVIDE HORIZONTAL LATERAL BRACING @ 12' INTERVALS. BRACING CHANNELS AT 8'-0" O.C. VERT. ANCHORED TO STUDS. SEE DETAIL 2 THIS SHEET FOR ADDITIONAL INFORMATION.
 - ALL HFT FRAMING SHALL BE METAL STUDS.
 - ALL WOOD IS TO BE FIRE RETARDANT TREATED.
 - ALL RATED WALLS TO FOLLOW U.L. DESIGN #1419.
 - REFER TO STRUCTURAL DRAWINGS FOR CONCRETE AND REINFORCING SPECIFICATIONS.
 - REFER TO SHEET S1.0 ON STRUCTURAL DRAWINGS FOR APPROVED ADHESIVE ANCHORING SYSTEMS.



HARBOR FREIGHT TOOLS
 ARCHITECTS, INC.
 17710 Detroit Avenue Lakewood, Ohio 44107
 Phone (216) 521-5134 Fax (216) 521-14824
 www.architects.com

705 WYATT ROAD NORTHWEST
 CLEVELAND, TN 37312

DO NOT SCALE THESE DRAWINGS

#	DATE	TYPE
1		
2		
3		
4		
5		
6		
7		
8		
9		
10		

WALL TYPES & DETAILS
 DATE 06/02/20
 JOB NO. 19155
A4.1
 SHEET NO.

Order Plans @

WWW.LDILLINE.COM