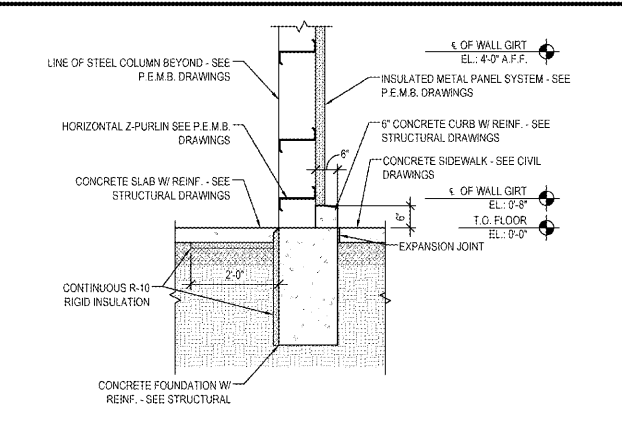
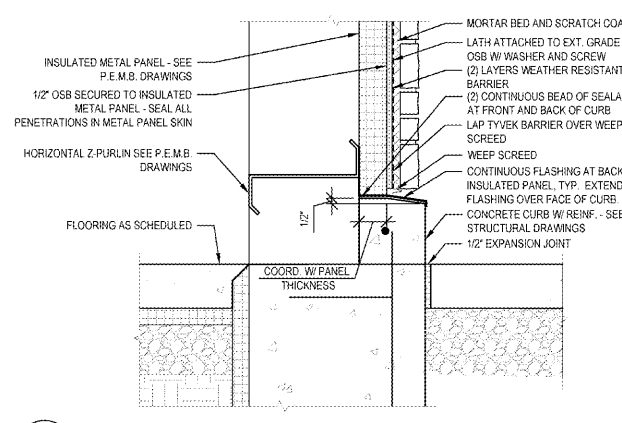


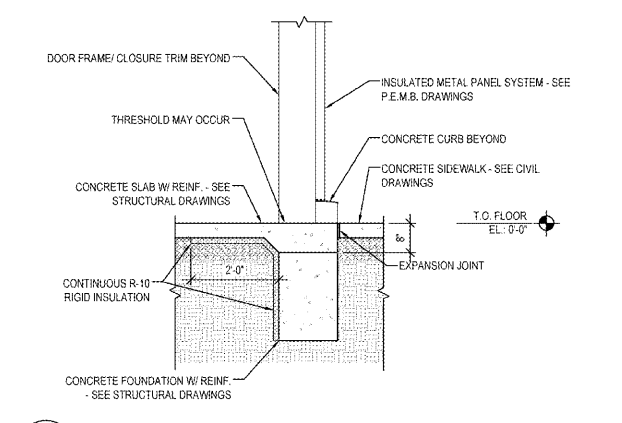
7 FOUNDATION SECTION @ COLUMNS
SCALE: 1/2" = 1'-0"



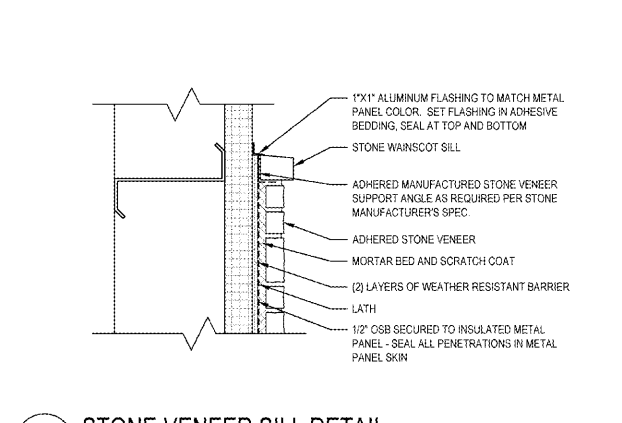
3 FOUNDATION SECTION
SCALE: 1/2" = 1'-0"



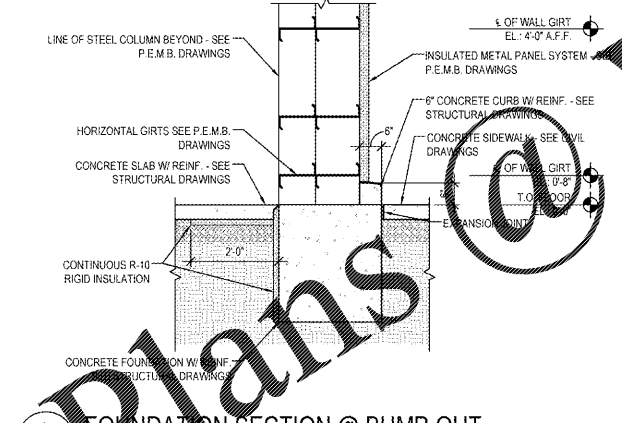
8 STONE VENEER CURB DETAIL
SCALE: 1-1/2" = 1'-0"



4 FOUNDATION SECTION OPENINGS
SCALE: 1/2" = 1'-0"



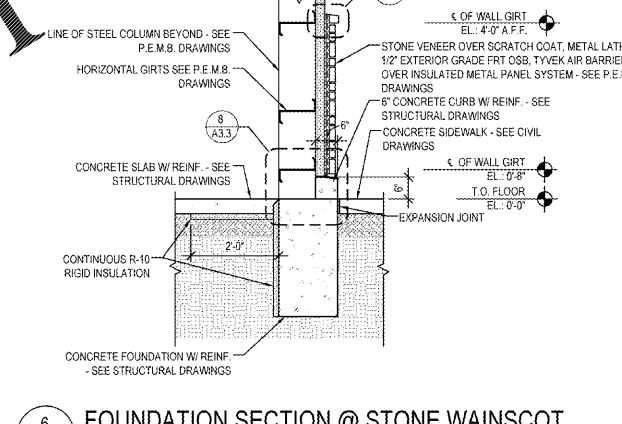
9 STONE VENEER SILL DETAIL
SCALE: 1-1/2" = 1'-0"



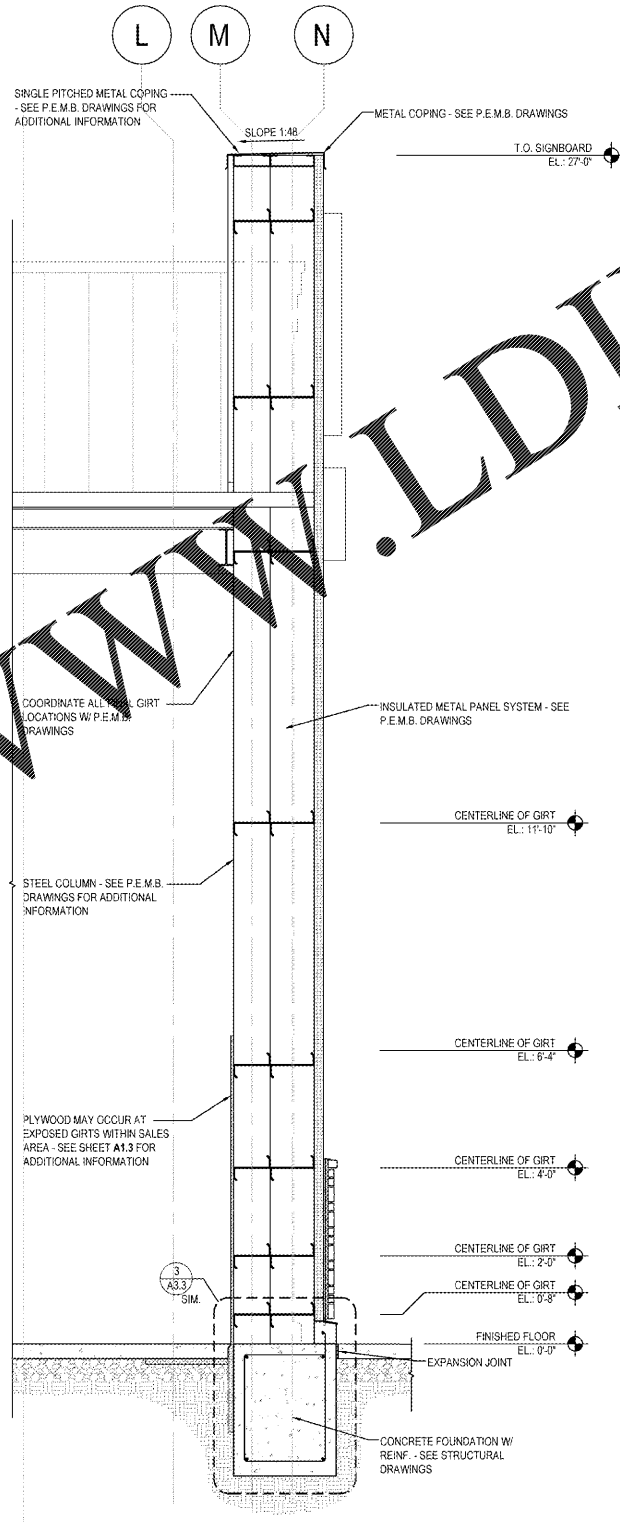
5 FOUNDATION SECTION @ BUMP-OUT
SCALE: 1/2" = 1'-0"



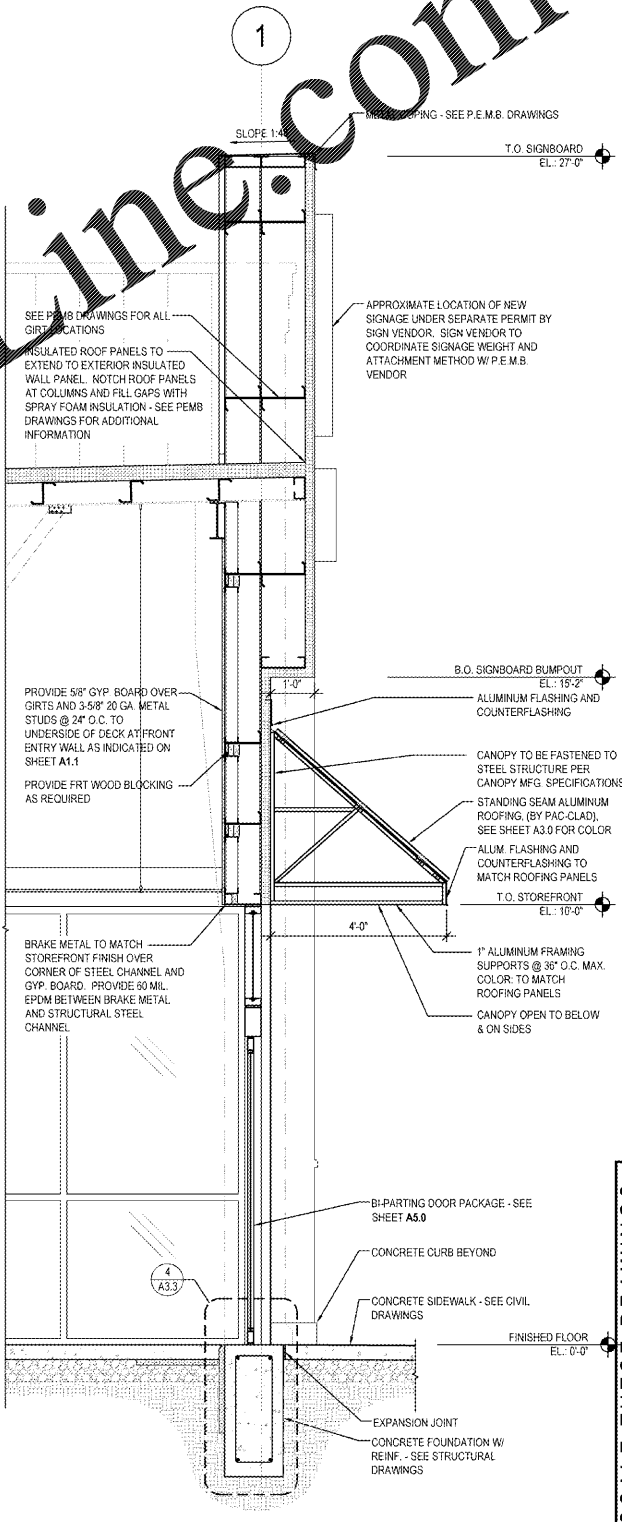
6 FOUNDATION SECTION @ STONE WAINSCOT
SCALE: 1/2" = 1'-0"



6 FOUNDATION SECTION @ STONE WAINSCOT
SCALE: 1/2" = 1'-0"

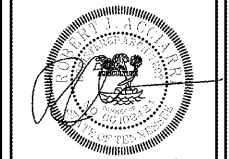


2 TYPICAL WALL SECTION
SCALE: 1/2" = 1'-0"



1 VESTIBULE WALL SECTION
SCALE: 1/2" = 1'-0"

Order Plans @ WWW.LDIIline.com



ARCHITECTS, INC.
17710 Detroit Avenue
Lakewood, Ohio 44107
Phone (216) 521-5134 Fax (216) 521-4824
www.adaarchitects.com

HARBOR FREIGHT TOOLS

705 WYATT ROAD NORTHWEST
CLEVELAND, TN 37312

REVISIONS

NO.	DATE	TYPE
1		
2		
3		
4		
5		
6		
7		
8		
9		
10		

WALL SECTIONS & DETAILS
DATE 06/02/20
JOB NO. 19155
A3.3
SHEET NO.

DO NOT SCALE THESE DRAWINGS