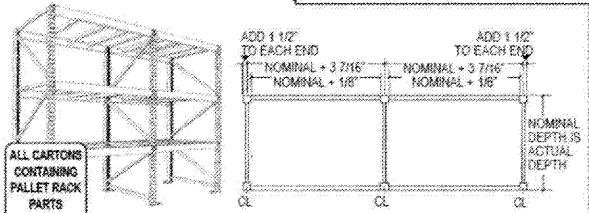


PALLET RACK ASY 103

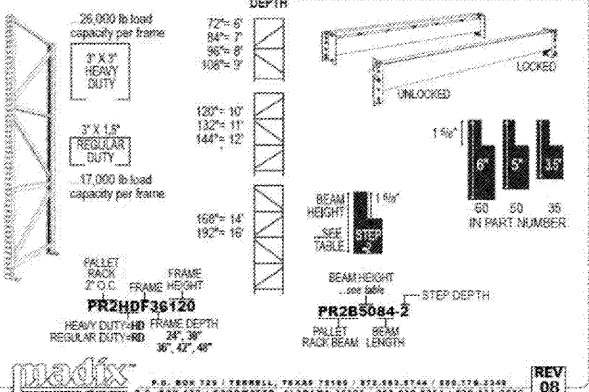
PAGE 1 OF 7

ASSEMBLY INSTRUCTIONS



NOTE: This publication is intended to be a generic installation instruction for Madix Pallet Rack, and may possibly be subject to change as required by local building codes... consult the building inspector department at job site.

PARTS IDENTIFICATION



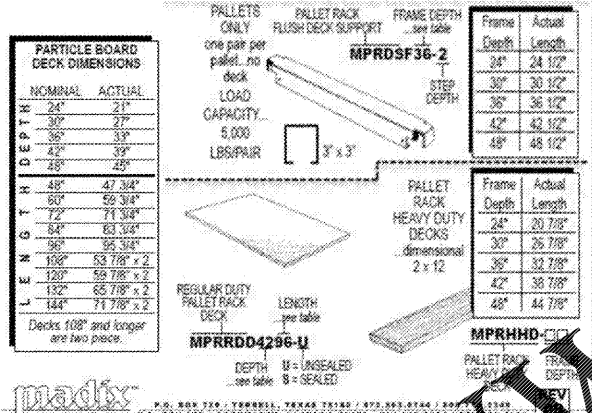
REV: 08

PALLET RACK ASY 103

PAGE 2 OF 7

PARTS IDENTIFICATION

BEAM LENGTH	BEAM HEIGHT	CAPACITY IN LBS/PAIR	108" SHIP	144" SHIP
36" x 3 1/2"	4' 0"	4,950	48 1/8"	
36" x 5"	4' 0"	7,600	48 1/8"	
48" x 3 1/2"	4' 0"	4,950	60 1/8"	
48" x 5"	4' 0"	7,600	60 1/8"	
60" x 3 1/2"	4' 0"	4,950	60 1/8"	
60" x 5"	4' 0"	7,600	60 1/8"	
72" x 3 1/2"	4' 0"	4,950	72 1/8"	
72" x 5"	4' 0"	7,600	72 1/8"	
72" x 6"	4' 0"	10,000	72 1/8"	
84" x 3 1/2"	4' 0"	4,950	84 1/8"	
84" x 5"	4' 0"	7,600	84 1/8"	
84" x 6"	4' 0"	10,000	84 1/8"	
96" x 3 1/2"	4' 0"	4,950	96 1/8"	
96" x 5"	4' 0"	7,600	96 1/8"	
96" x 6"	4' 0"	10,000	96 1/8"	
108" x 3 1/2"	4' 0"	4,950	108 1/8"	
108" x 5"	4' 0"	7,600	108 1/8"	
108" x 6"	4' 0"	10,000	108 1/8"	
132" x 3 1/2"	4' 0"	4,950	132 1/8"	
132" x 5"	4' 0"	7,600	132 1/8"	
144" x 3 1/2"	4' 0"	4,950	144 1/8"	
144" x 5"	4' 0"	7,600	144 1/8"	
144" x 6"	4' 0"	10,000	144 1/8"	

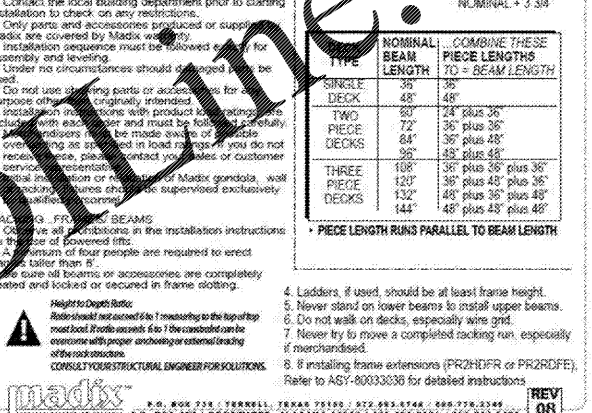
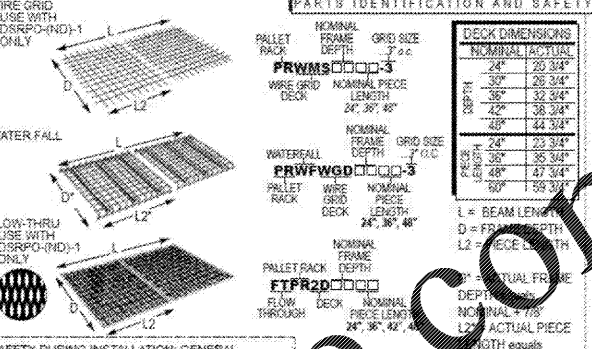


REV: 08

PALLET RACK ASY 103

PAGE 3 OF 7

PARTS IDENTIFICATION AND SAFETY

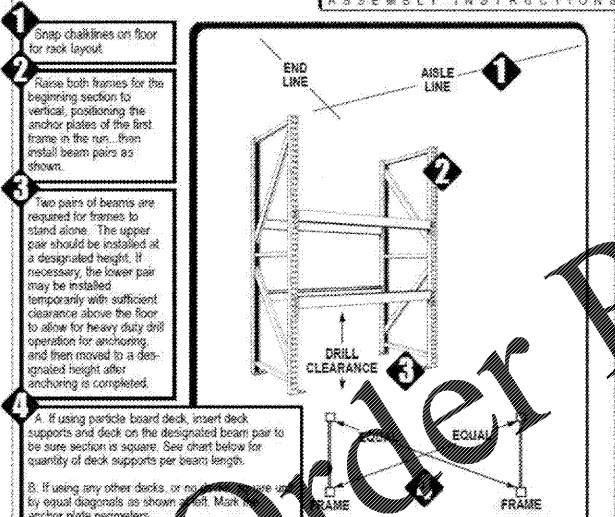


REV: 08

PALLET RACK ASY 103

PAGE 4 OF 7

ASSEMBLY INSTRUCTIONS



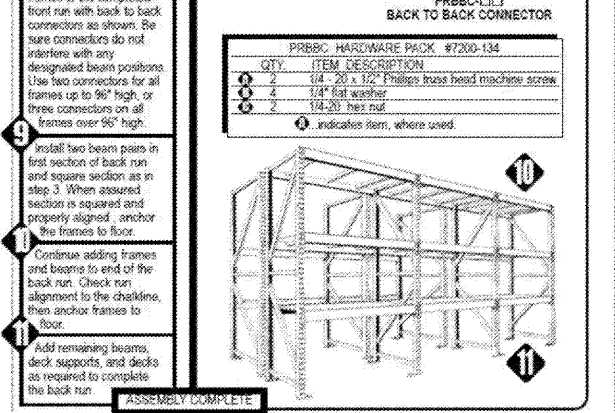
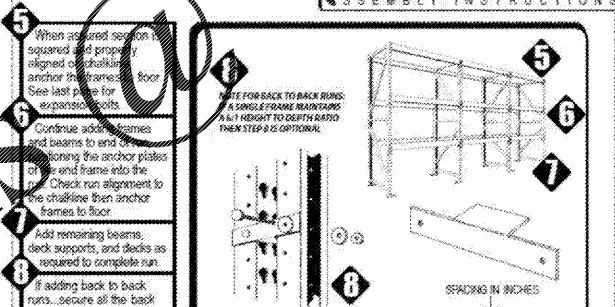
Deck Support	Deck Type	Length	Y
DSRPO	PARTICLE BOARD	84" to 108"	4
		120"	4
	WIRE GRID, FLOW THRU	36" and 48"	2
		60" to 96"	4
MPRDS	2 X 12	36" to 144"	6
		36" to 144"	2

REV: 08

PALLET RACK ASY 103

PAGE 5 OF 7

ASSEMBLY INSTRUCTIONS

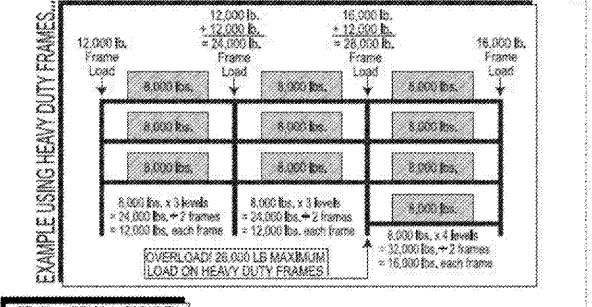


REV: 08

PALLET RACK ASY 103

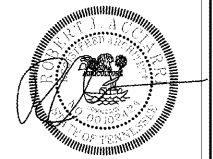
PAGE 6 OF 7

LOAD CAPACITIES



BEAM LENGTH	BEAM HEIGHT	CAPACITY IN LBS/PAIR
36" x 3 1/2"	4' 0"	4,950
36" x 5"	4' 0"	7,600
48" x 3 1/2"	4' 0"	4,950
48" x 5"	4' 0"	7,600
48" x 6"	4' 0"	10,000
60" x 3 1/2"	4' 0"	4,950
60" x 5"	4' 0"	7,600
60" x 6"	4' 0"	10,000
72" x 3 1/2"	4' 0"	4,950
72" x 5"	4' 0"	7,600
72" x 6"	4' 0"	10,000
84" x 3 1/2"	4' 0"	4,950
84" x 5"	4' 0"	7,600
84" x 6"	4' 0"	10,000
96" x 3 1/2"	4' 0"	4,950
96" x 5"	4' 0"	7,600
96" x 6"	4' 0"	10,000
108" x 3 1/2"	4' 0"	4,950
108" x 5"	4' 0"	7,600
108" x 6"	4' 0"	10,000
132" x 3 1/2"	4' 0"	4,950
132" x 5"	4' 0"	7,600
144" x 3 1/2"	4' 0"	4,950
144" x 5"	4' 0"	7,600
144" x 6"	4' 0"	10,000

REV: 08



ARCHITECTS, INC.
17710 Detroit Avenue, Lakewood, Ohio 44107
Phone (216) 521-5134 Fax (216) 521-4824
www.aadarchitects.com

HARBOR FREIGHT TOOLS
705 WYATT ROAD NORTHWEST
CLEVELAND, TN 37312

DO NOT SCALE THESE DRAWINGS

#	DATE	TYPE
1		
2		
3		
4		
5		
6		
7		
8		
9		
10		

FIXTURE SPECIFICATIONS AND DETAILS

DATE: 06/02/20
JOB NO.: 19155
SHEET NO.: A1.11