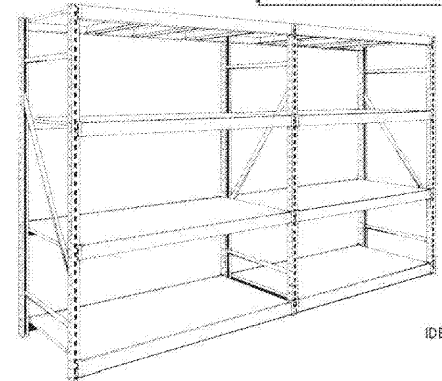
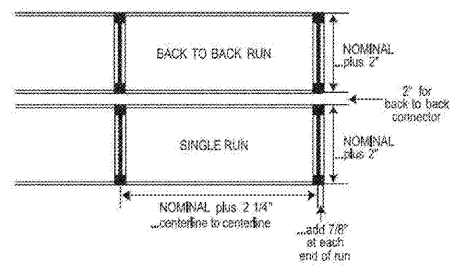


WIDE SPAN SHELVING ASY 061 PAGE 1 OF 10
INSTALLATION INSTRUCTIONS

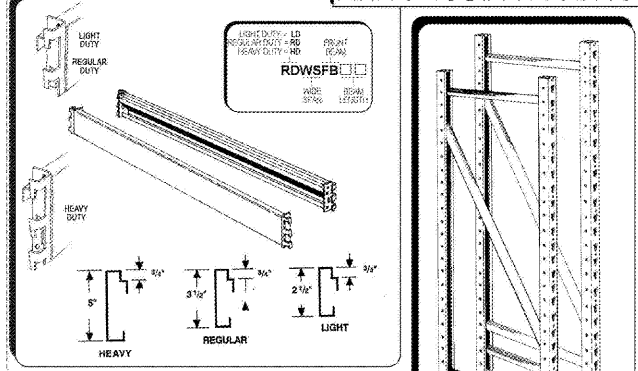


NOTE!
This publication is intended to be a generic installation instruction for Maxid Wide Span, and may possibly be subject to change as required by local building codes...consult the building inspection department at job site.



PAGE 2-3 PARTS IDENTIFICATION
PAGE 4-5 BASIC INSTALLATION
PAGE 6-7 INSTALLATION OF EXTRAS
PAGE 8 LOAD CAPACITY
PAGE 9 SAFETY
PAGE 10 ANCHORING TO FLOOR

WIDE SPAN SHELVING ASY 061 PAGE 2 OF 10
PARTS IDENTIFICATION



DIMENSIONS

Deck Supports	Beams	Actual Length	Actual Length inside of Brackets
18"	20"	48"	48 3/16"
24"	26"	60"	60 3/16"
30"	32"	72"	72 3/16"
36"	38"	84"	84 3/16"
42"	44"	96"	96 3/16"
48"	50"	-	-

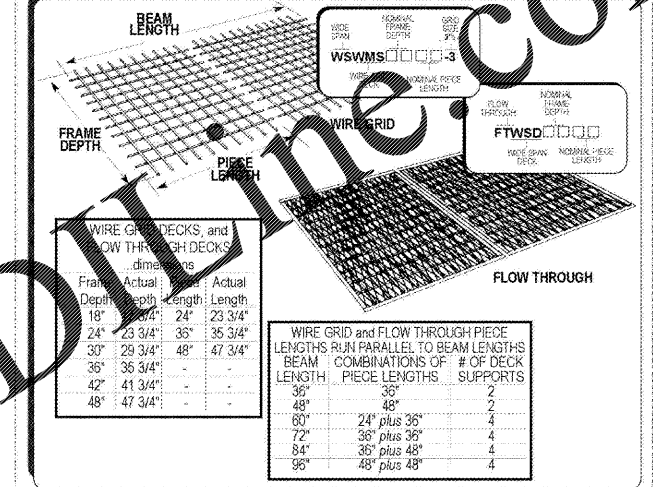
FRAME DIMENSIONS

Frame Depth	Actual Depth	Frame Height	Actual Height
18"	20"	48"	48 1/2"
24"	26"	60"	60 1/2"
30"	32"	72"	72 1/2"
36"	38"	84"	84 1/2"
42"	44"	96"	96 1/2"
48"	50"	108"	108 1/2"

WIDE SPAN SHELVING ASY 061 PAGE 3 OF 10
PARTS IDENTIFICATION

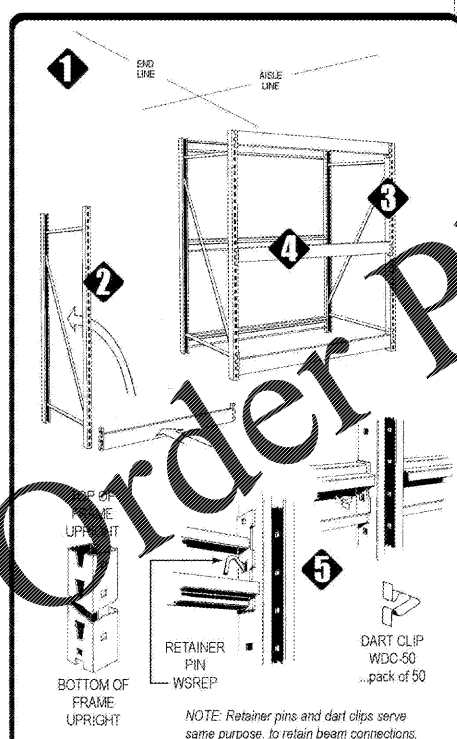
PARTICLE BOARD DECKS

Frame Depth	Actual Depth	Beam Length	Actual Length
18"	18"	48"	47 23/32"
24"	23 29/32"	60"	60"
30"	30"	72"	72"
36"	36"	84"	84"
42"	42"	96"	96"
48"	48"	-	-



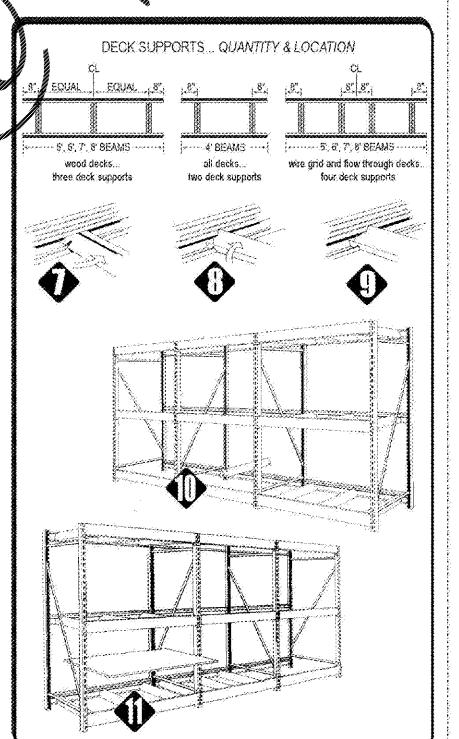
WIDE SPAN SHELVING ASY 061 PAGE 4 OF 10
BASIC INSTALLATION

- 1 Snap chalklines on floor as shown for shelving layout. See diagram on page one for dimensions.
- 2 Raise first frame to vertical position and install first beam... frame will now stand alone.
NOTE! If floor anchors or extension frames are to be used, they should be installed prior to raising frames to the vertical position... see pages 5-6.
- 3 Raise second frame to vertical and install free end of first beam... install second beam on opposite side.
- 4 Install upper beams at designated levels.
- 5 **If using Dart Clips:** Press dart clips through beam bracket and upright on under side of beam as shown. Insert one dart clip at each end of all beams.
If using Retainer Pins: Insert one leg of a retainer pin through beam bracket and upright. Insert one pin at each end of all beams.



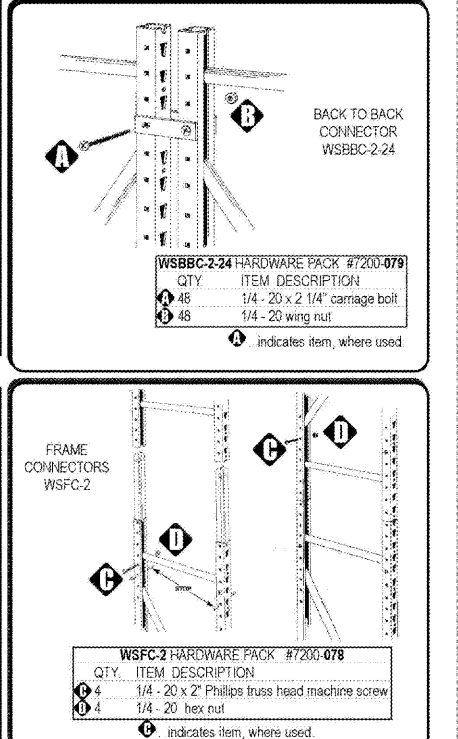
WIDE SPAN SHELVING ASY 061 PAGE 5 OF 10
BASIC INSTALLATION

- 6 Repeat assembly sequence with remaining frames, beams and part disintegrations.
NOTE! If back to back run are being installed, see page 6 for back to back connectors.
- 8 Squeeze the open side of the deck support at an angle to the beam, squeeze the open side and insert into the beam, then swing the free end around to the opposite beam, squeeze the open side and insert into the beam.
- 8 Squeeze the open side of the deck support at each end just inside the beam and rotate upwards as shown.
- 9 Correct installed position will look like this... see above for quantity of deck supports per beam length.
- 10 Repeat with the remaining deck supports in the shelving run.
- 11 Install all decks in the shelving run.



WIDE SPAN SHELVING ASY 061 PAGE 6 OF 10
INSTALLATION OF EXTRAS

- 12 The first sections of the back to back run should be erected with beams at top and bottom of the four frames. Locate the connectors just below the top beams and just above the bottom beams. Secure with the fasteners as shown.
- 13 Repeat with the remaining sections.
- 14 Install all intermediate beams as required, then install a third connector as close as possible to the mid-point of the frames. Complete the shelving run with the deck supports and decks.
- 15 In the sixth square hole from the top of the lower frame, insert a stop to prevent the connector from dropping to the floor.
- 16 Insert connector into frame with flat center of connector facing the slotting.
- 17 Screw connector to lower frame with provided fasteners. remove the stop.
- 18 Repeat above with the 2nd upright of the frame.
- 19 Lower upper frame onto connectors and secure through the sixth hole up from the joint.



ARCHITECTS, INC.
17710 Detroit Avenue Lakewood, Ohio 44107
Phone (216) 521-5134 Fax (216) 521-4824
www.aadarchitects.com

HARBOR FREIGHT TOOLS
705 WYATT ROAD NORTHWEST CLEVELAND, TN 37312

DO NOT SCALE THESE DRAWINGS

#	DATE	TYPE
1		
2		
3		
4		
5		
6		
7		
8		
9		
10		

RACKING SPECIFICATIONS AND DETAILS

DATE: 06/02/20
JOB NO.: 19155
SHEET NO.: **A1.8**