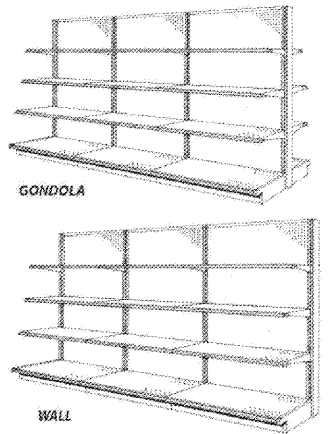


MAXILINE GONDOLA AND WALL GENERAL ASSEMBLY

NOTE! This publication is intended to be a generic installation instruction for Madix gondola and wall shelving, and may possibly be subject to change as required by the local building codes. Consult the building inspection department at the job site.

READ AND UNDERSTAND THIS DOCUMENT BEFORE PROCEEDING TO INSTALL SHELVING. SPECIAL ITEMS THROUGHOUT ARE DENOTED WITH:

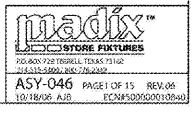
CAUTION! **IMPORTANT!** **WARNING!**



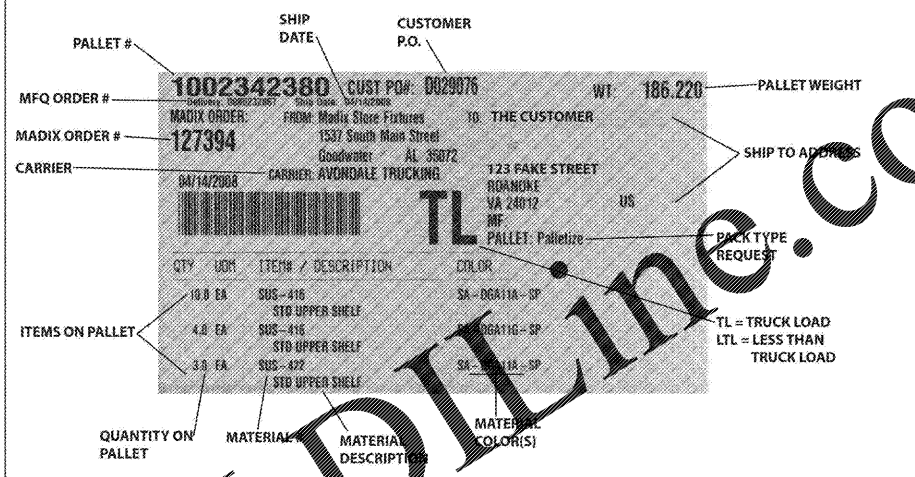
NOTE!
THE STANDARD PRODUCTS LISTED BELOW WILL ALTER THE INSTALLATION PROCEDURE SHOWN. Specific instructions covering any products listed below, if ordered, are included with this document package. Refer to them prior to beginning installation since your procedure will be altered.

END MERCHANDISERASY-652
CANOPIESASY-092
TELESCOPING UPRIGHTSASY-027
BOX CORNERASY-098
METAL END FLATASY-269
INSIDE CORNERASY-062
OPEN BACK STIFFENERASY-042
OUTSIDE CORNERASY-059
FLOOR ANCHORSASY-357
WIRE GRID BACKSASY-328
OUTSIDE MOUNT END MERCHANDISERASY-064
TRIPLE BACK SYSTEMASY-325

IMPORTANT! When unloading, stack all boxes...
 1. WITH THE LABELS VISIBLE.
 2. WITH THE SAME DESCRIPTION TOGETHER.
 3. WITH THE SAME PART NUMBER TOGETHER.



PALLET LABEL LAYOUT



SHIP DATE **CUSTOMER P.O.**

PALLET # **1002342380** **CUST PO#** 0029076 **WT** 186.220 **PALLET WEIGHT**

MFQ ORDER # **MADIX ORDER #** 127394 **FROM** Madix Store Fixtures **TO** THE CUSTOMER

CARRIER **1537 South Main Street** **Goodwater, AL 35072** **SHIP TO ADDRESS**


04/14/2008 **CARRIER** AVONDALE TRUCKING **123 FAKE STREET** **ROANOKE VA 24012** **US**

ITEMS ON PALLET

QTY	UM	ITEM / DESCRIPTION	COLOR
10.0	EA	SUS-410 STD UPPER SHELF	SA-D0A11A-07
4.0	EA	SUS-410 STD UPPER SHELF	06A11G-0P
3.0	EA	SUS-410 STD UPPER SHELF	SA-D0A11A-0P

QUANTITY ON PALLET **MATERIAL DESCRIPTION** **MATERIAL COLOR(S)**

BACK TYPE REQUEST **TL = TRUCK LOAD**
LTL = LESS THAN TRUCK LOAD



POST THIS ENTIRE PAGE IN A CONSPICUOUS PLACE, CLEARLY VISIBLE TO ALL STORE PERSONNEL

WARNING!

READ BEFORE ASSEMBLY - FOR YOUR SAFETY!

- Install all shelving and/or fixtures as described in installation instruction.
- Shelving and components should ONLY be installed by trained personnel who have read and understand these instructions. Failure to do so may result in product damage or personal injury.
- Do not exceed the maximum load capacities as outlined under all headings related to Load Limits or Capacities in this document.
- Never use damaged parts.
- Install and use components only as directed.
- Do not combine Madix products with non-Madix products.
- Always install kickplates (KP-(nw)) to retain the structural integrity of the shelving. Kickplates must be installed correctly!
- Do not hang shelves, peg hooks or other accessories on the side of a fixture that does not have base shoes (BS) installed.
- Do not hang shelving, peg hooks or other accessories that exceed the depth of the base on a gondola or wall.
- All components that require trim, such as brackets (B) and base shoes (BS) should have trim installed.
- Never expose any sharp or pointed edges to shoppers or employees.
- Do not climb on shelving.
- Provide safe access to the level of shelving according to OSHA regulations.
- Do not leave assemblies unattended.
- Do not arrange shelving while merchandising.
- Do not place heavy items against shelving.
- All end panels (EP) and cover panels for merchandising or aesthetics must have base shoes (BS) to direct traffic away from protrusions.

CLEANING SHELVING

IMPORTANT INSTRUCTIONS FOR CLEANING MADIX METAL SHELVING:

When necessary to clean Madix shelving use of non-abrasive mild detergent and warm water followed by thorough drying is ideal. The use of a soft cloth, which non material is strongly recommended. Do not use cleaning agents that contain abrasives, bleach or strong solvents such as ketones, ethers etc. All residue should be removed. The damage is most severe when the harsh cleaning agents are used on colors which contain lacquer, aluminum pigment such as powder chrome, silver vein and "vini" type finishes. The aluminum in these coatings resides at the surface of the finish and is therefore more susceptible to damage by the harsh cleaning agents. As an alternative to the mild detergent, cleaners with ingredients similar to those found in products such as 409, Fantastik, and Simple Green can be used. CAUTION! Cleaners having ingredients similar to those found in Ajax, Borax, Bleach, Comet, etc. should be avoided as finish damage could result.

WARNING! ALL GONDOLA AND WALL FIXTURES EXCEEDING 96" IN HEIGHT MUST BE SECURELY ANCHORED! SEE ASY-357 FOR PROPER ANCHORING PROCEDURES FOR GONDOLA AND WALL!

WARNING! NEVER STACK EXTENSION UPRIGHTS (EU). Do not exceed maximum load capacity on EU. Maximum load capacity for EU 9" to 12" is 250 lb per side, 13" to 18" is 315 lb per side, 19" to 24" is 160 lb per side, and 24" and up is 100 lb per side. SEE ASY-018 FOR EU INSTALLATION.

WARNING! LOAD CAPACITY FOR PEGBOARD BACKS: MAX: 150 lbs per side with SL lower spanner in place. MAX: 300 lbs per side with HSL Heavy Duty Lower Spanner.



FIXTURE HEIGHT TO BASE WIDTH:

If the height of the upright exceeds six times the space between the upright and shoe leveler, the system must be secured in one of the following configurations:

- Secured at the top as per pg. 11 or...
- For Gondolas, Base Shoe Levelers must be anchored to the floor as shown in ASY-357
- For Walls, Base Shoe Levelers AND Upright Levelers must be anchored to the floor.

WALLS...

USE CHART FOR EXAMPLE ONLY:

BASE SHELF DEPTH OF	EQUALS LEVELER SPACING OF	MAX HEIGHT OF UNANCHORED UPRIGHT
12"	9 1/2"	54"
14"	11 1/2"	66"
16"	13 1/2"	78"
18"	15 1/2"	90"
20"	17 1/2"	102"
22"	19 1/2"	114"
24"	21 1/2"	126"
26"	23 1/2"	138"
28"	25 1/2"	144"
30"	27 1/2"	162"

GONDOLAS...

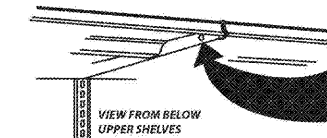

USE CHART FOR EXAMPLE ONLY:

BASE SHELF DEPTHS OF	EQUALS LEVELER SPACING OF	MAX HEIGHT OF UNANCHORED UPRIGHT
12" & 12"	19"	114"
12" & 14"	21"	126"
14" & 14"	23"	138"
14" & 16"	25"	144"
16" & 16"	27"	162"

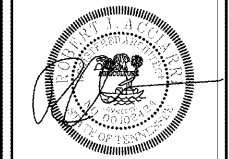
ALL UPRIGHTS 96" AND ABOVE WILL NEED TO BE ANCHORED.

BOLTING UPPER SHELVES AT THE TOP OF FIXTURES TALLER THAN 96"...

ON ANY UPPER ROW OF SHELVES ON FIXTURES TALLER THAN 96", THE SHELVES MUST BE BOLTED TOGETHER THROUGH THE FRONT MOST HOLES IN THE SIDES OF THE SHELVES!

WWW.LDLINE.COM



ARCHITECTS, INC.
 17710 Detroit Avenue Lakewood, Ohio 44107
 Phone (216) 521-5134 Fax (216) 521-4824
 www.adaarchitects.com

HARBOR FREIGHT TOOLS

705 WYATT ROAD NORTHWEST CLEVELAND, TN 37312

DO NOT SCALE THESE DRAWINGS

#	DATE	TYPE
1		
2		
3		
4		
5		
6		
7		
8		
9		
10		

FIXTURE SPECIFICATIONS AND DETAILS

DATE: 06/02/20
 JOB NO.: 19155
A1.4
 SHEET NO.

This document (Harbor Freight Tools) was prepared by ADA Architects, Inc. ("ADA") specifically for the referenced project and is not intended for any other use. ADA makes no warranty, express or implied, regarding the accuracy, completeness, or timeliness of the information contained herein. The information contained herein is provided for informational purposes only and should not be used for any other purpose. Any unauthorized use of this instrument of service shall be at the user's sole risk and without liability to ADA. ADA makes no warranty, express or implied, of merchantability or of fitness for a particular purpose.