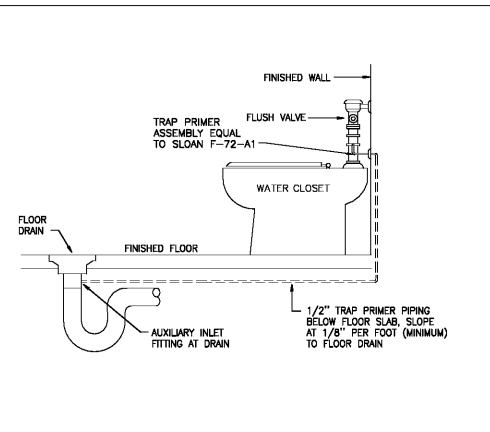
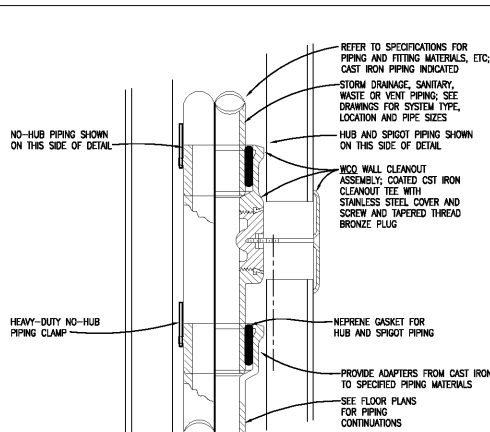


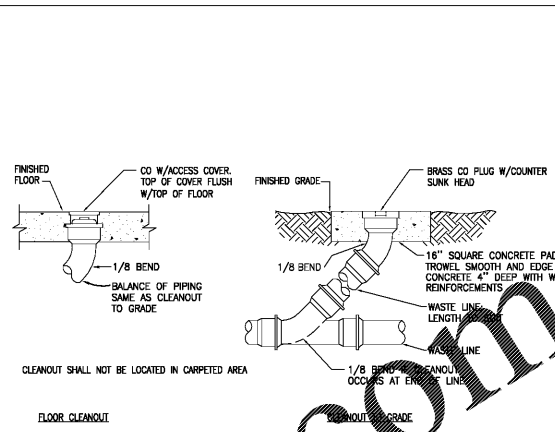
A4
P501
DOUBLE CHECK BACKFLOW PREVENTOR
NTS



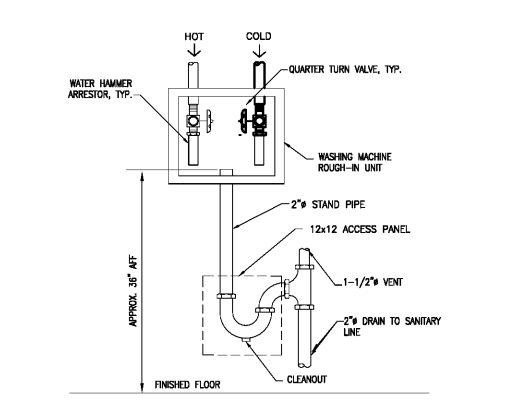
A3
P501
FLOOR CLEAN OUT DETAIL
NTS



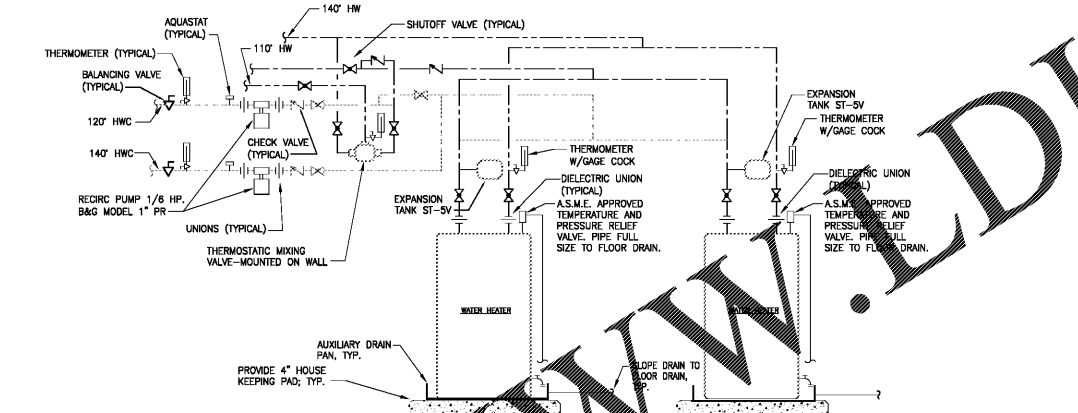
A2
P501
WALL CLEAN OUT DETAIL
NTS



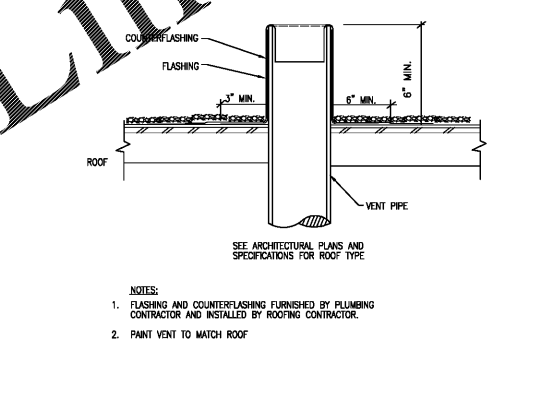
A1
P501
FLOOR CLEAN OUT DETAIL
NTS



B3
P501
WASHING MACHINE BOX DETAIL
NTS



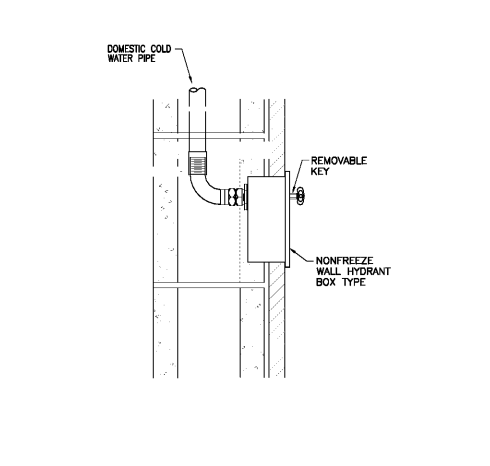
B2
P501
WATER HEATER DETAIL
NTS



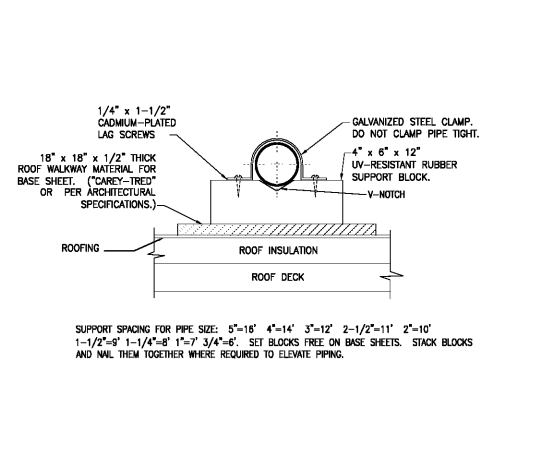
B1
P501
VENT THROUGH ROOF - FLAT
NTS

PIPE SUPPORT SPACING SCHEDULE			PIPE ROOF SIZES	
TYPE OF PIPE	SIZE	MAX. SPACING	PIPE	ROOF
STEEL	1-1/2" AND SMALLER	10 FT.	3 IN. OR LESS	1/2 IN.
	2" AND LARGER	15 FT.	4 IN.	5/8 IN.
BRASS OR COPPER	1/2" TO 1-1/2"	5 FT.	6 IN.	3/4 IN.
	1-1/2" TO 2"	7 FT.		
	2" AND LARGER	10 FT.		

C3
P501
PIPE SUPPORT DETAIL
NTS



C2
P501
NONFREEZE WALL HYDRANT BOX DETAIL
NTS



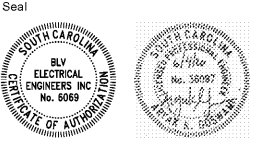
C1
P501
ROOF PIPE SUPPORT DETAIL
NTS

Order Plates

BROWNSTONE

1310 LADY STREET - SUITE 204 - COLUMBIA, SOUTH CAROLINA 29201

All rights reserved. This drawing and the design shown thereon are copyright as prescribed by the laws of the United States and are the property of Brownstone Design. Anyone duplicating, reproducing or causing to be reproduced the whole or part of these drawings or the design thereon without written permission of the Architect and/or Brownstone Design will be subject to legal action.



Client
ALLENDALE-FAIRFAX COUNTY SCHOOL DISTRICT

Project
ALLENDALE PRIMARY SCHOOL

Issued For
90% PRICING SET
MARCH 16, 2020

No.	Item	Date

Key Plan



Sheet Title
PLUMBING DETAILS

P-501

Drawn By **AKG**
Checked By **Checker**