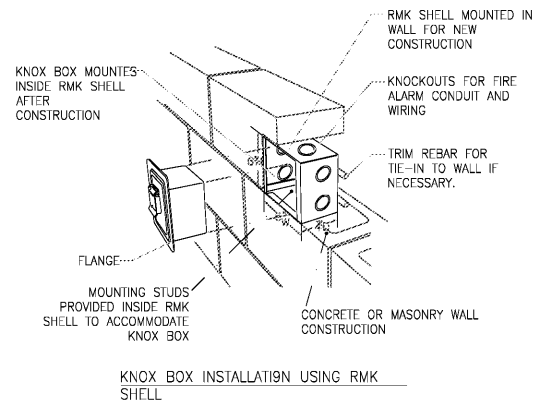


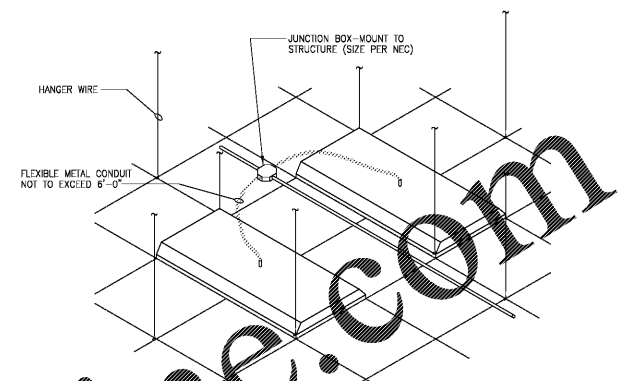
1 TYPICAL CLASSROOM WIRING -ELEVATION

SCALE - SCHEMATIC



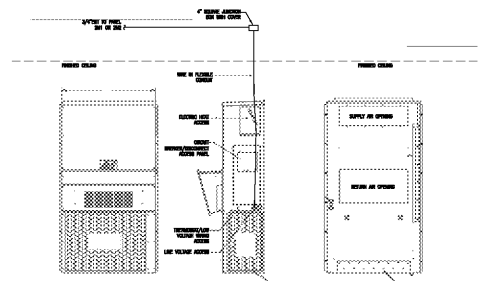
3 FIRE ALARM KNOX BOX INSTALLATION

SCALE - SCHEMATIC



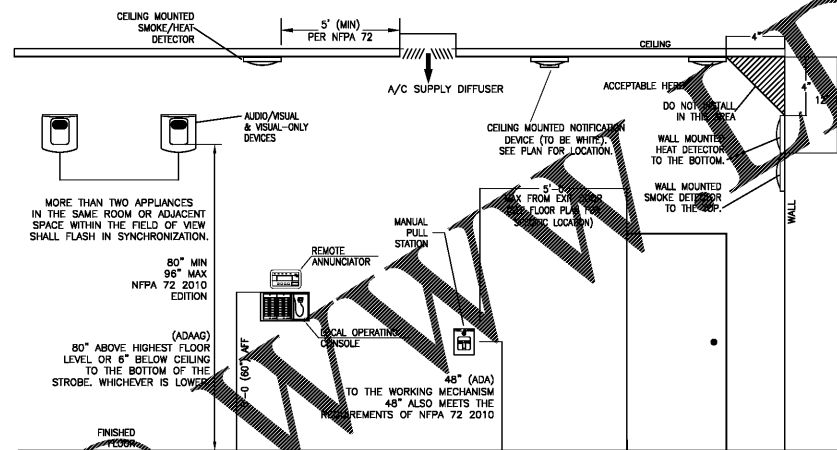
5 TYPICAL RECESSED TROFFER INSTALLATION

SCALE - SCHEMATIC



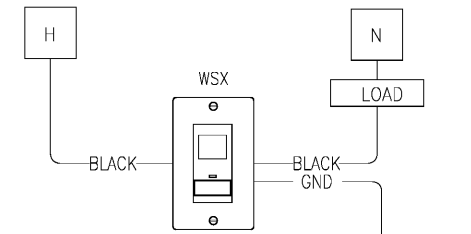
2 TYPICAL CLASSROOM MECHANICAL UNIT WIRING

SCALE - SCHEMATIC



4 TYPICAL DEVICE MOUNTING ELEVATIONS

SCALE-SCHEMATIC



6 SENSOR SWITCH MODEL WSX WIRING

SCALE - SCHEMATIC

Order Plans @ [www.electricalplanline.com](http://www.electricalplanline.com)

BROWNSTONE

1330 LADY STREET, SUITE 500, COLUMBIA, SOUTH CAROLINA 29201

All rights reserved. This drawing and the design shown thereon are copyright as prescribed by the laws of the United States and are the property of Brownstone Design. Anyone duplicating, reproducing or causing to be reproduced the whole or part of these drawings or the design thereon without written permission of the Architect and/or Brownstone Design will be subject to legal action.

Seal



Client  
ALLENDALE-FAIRFAX  
COUNTY SCHOOL  
DISTRICT

Project  
ALLENDALE PRIMARY  
SCHOOL

Issued For  
90% PRICING SET  
MARCH 16, 2020

No.	Item	Date

Key Plan

Sheet  
Title

ELECTRICAL  
DETAILS

E-501

Drawn By jlb  
Checked By blv