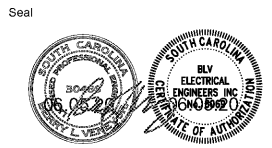


All rights reserved. This drawing and the design shown thereon are copyright as prescribed by the laws of the United States and are the property of Brownstone Design. Anyone duplicating, reproducing or causing to be reproduced the whole or part of these drawings or the design thereon without written permission of the Architect and/or Brownstone Design will be subject to legal action.



Client  
**ALLENDALE-FAIRFAX COUNTY SCHOOL DISTRICT**

Project  
**ALLENDALE PRIMARY SCHOOL**

Issued For  
**90% PRICING SET  
MARCH 16, 2020**

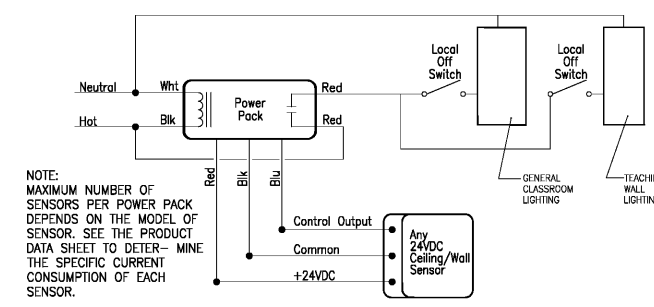
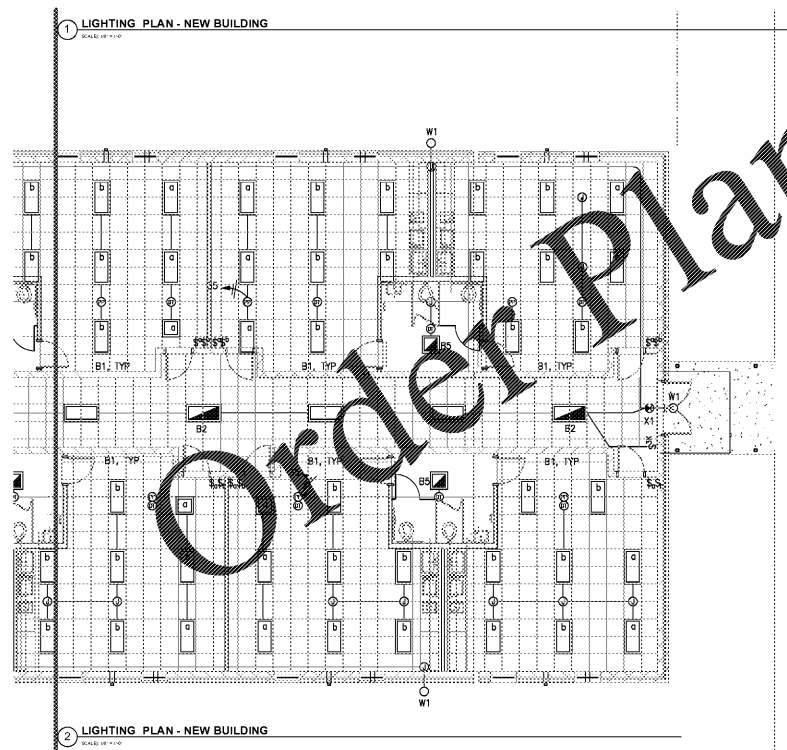
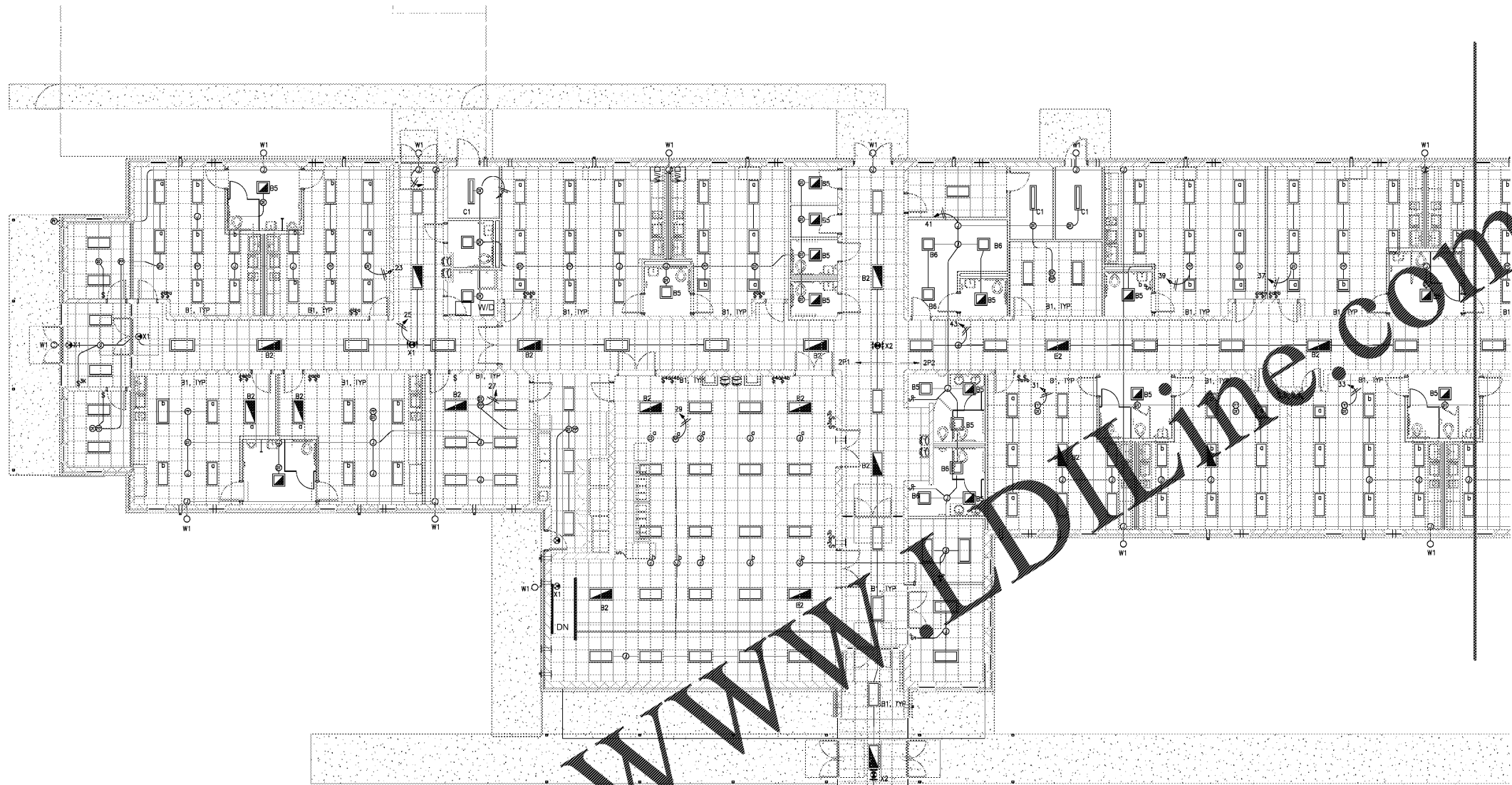
No.	Item	Date

Key Plan

Sheet  
Title  
**LIGHTING PLAN**

**E-201**

Drawn By jlb  
Checked By blv



- GENERAL NOTES:**
- A. REFER TO SHEET E1.01 FOR GENERAL NOTES SYMBOLS AND ABBREVIATIONS.
  - B. REFER TO ARCHITECTURAL REFLECTED CEILING PLANS FOR EXACT LOCATIONS AND QUANTITIES FOR ALL LIGHT FIXTURES AND LIGHTING FIXTURE SPECIFICATION.
  - C. REFER TO ARCHITECTURAL PLANS FOR THE EXACT LOCATION AND MOUNTING HEIGHTS AND RULES GOVERNING ORIENTATION AND INSTALLATION. ALL DEVICES SHALL BE INSTALLED LEVEL AND PLUMB.
  - D. ELECTRICAL CONTRACTOR SHALL NOTIFY THE ENGINEER OF ANY PROBLEMS PERTAINING TO CIRCUIT AVAILABILITY OR LOAD CAPACITY PRIOR TO INSTALLATION.
  - E. CIRCUIT NUMBERS INDICATED ON BRANCH CIRCUIT HOME-RUNS ARE FOR DESIGN PURPOSES ONLY. THE ELECTRICAL CONTRACTOR SHALL COORDINATE ALL CIRCUIT NUMBERS AT THE TIME OF INSTALLATION AND SHALL PROVIDE ACCURATE, TYPED PANEL BOARD DIRECTORIES FOR EACH PANEL BOARD.
  - F. REFER TO ARCHITECTURAL REFLECTED CEILING PLANS FOR EXACT PLACEMENT, MOUNTING, QUANTITY, TAG DESIGNATION, AND SPECIFICATIONS FOR ALL LIGHT FIXTURES. ARCHITECTURAL REFLECTED CEILING PLANS TAKE PRECEDENCE OVER THESE LIGHTING PLANS.
  - G. ALL DEVICES WITH SUBSCRIPT (F), (T) OR (EX) ADJACENT TO LIGHT FIXTURE AND EQUIPMENT INDICATED EXISTING TO REMAIN.
  - H. ALL NEW SWITCHES AND PLATS SHALL MATCH TENANT STANDARDS. COORDINATE MATERIAL AND COLOR WITH ARCHITECT.
  - I. THE ELECTRICAL CONTRACTOR SHALL PROVIDE NEW, TYPED PANEL BOARD DIRECTORY WITH ROOM AND LOAD SERVED FOR EACH ACTIVE BREAKER SPACE. ANY UNUSED OR SPARE BREAKERS SHALL BE TURNED TO THE "OFF" POSITION AND LABELED AS SPARE.
  - J. LIGHT SWITCHES IN THE SAME LOCATION SHALL BE GANGED TOGETHER.
  - K. VERTICALLY ALIGN SWITCHES, RECEPTACLES, AND WALL MOUNTED FIRE ALARM DEVICES.

3 TYPICAL CLASSROOM LIGHTING SYSTEM WIRING DIAGRAM

Order Plans @ WWW.BROWNSTONE.COM