

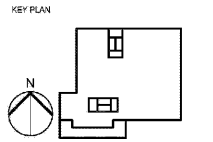
MARRIOTT SAWGRASS CABANA CLUB

OWNER
WATERMARK CAPITAL PARTNERS, LLC
150 NORTH RIVERBIDE PLAZA SUITE 400
CHICAGO, IL 60606

OWNER'S CONSULTANT
THE JOHN HARDY GROUP INC.
6255 SNYFIELD RD., SUITE 200
ATLANTA, GA 30328

Allen Ellis, State of Florida, Professional Engineer,
License No. 77281
This sheet has been electronically signed and sealed by
Allen Ellis, on the Date and/or Time Stamp using a digital
signature.

Printed copies of this document are not considered signed
and sealed, and the signature must be verified on any
electronic copy.

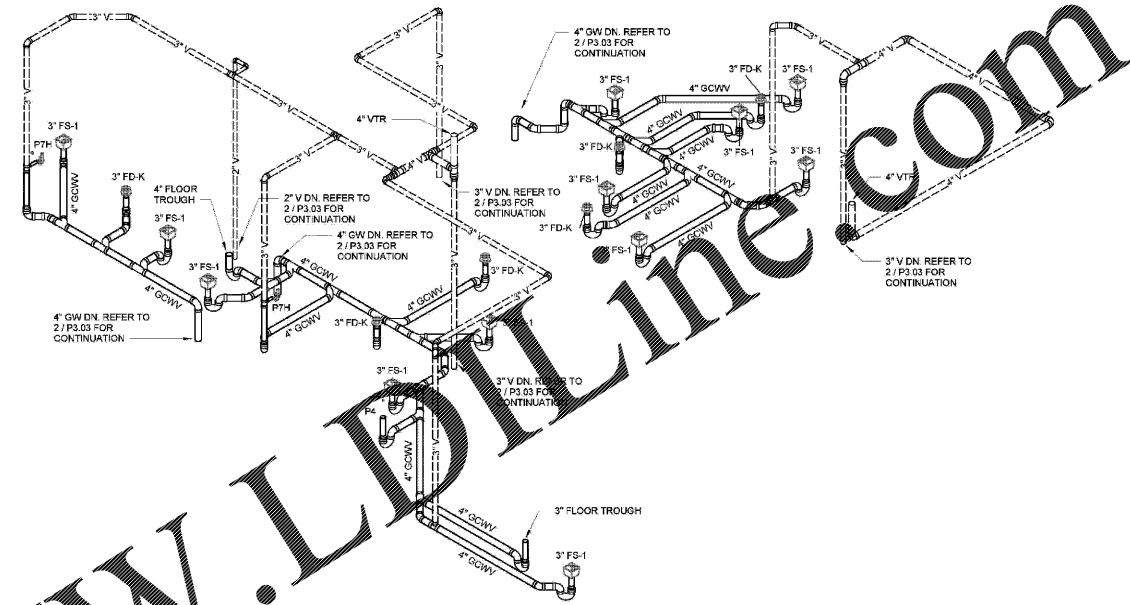


REVISION NO.	DESCRIPTION	DATE

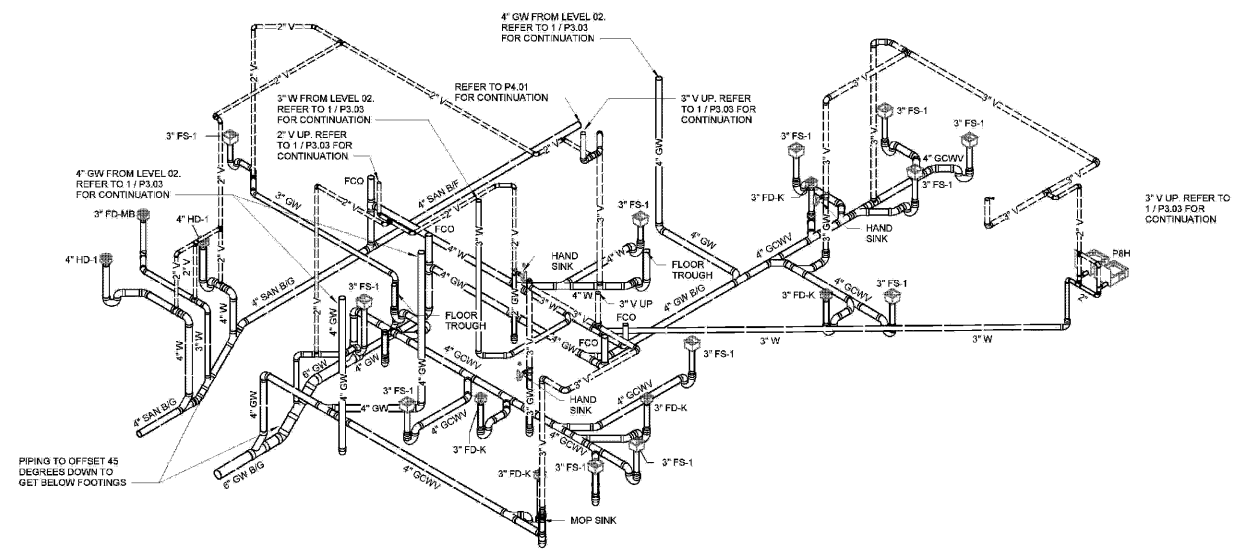
HKS PROJECT NUMBER
22808.001
DATE:
05/22/2020
ISSUE:
PERMIT SET

SHEET TITLE
**ISOMETRICS -
KITCHENS -
PLUMBING**
SHEET NO.

P3.03



2 ISOMETRIC - LEVEL 02 KITCHEN - WASTE & VENT
N.T.S.



2 ISOMETRIC - LEVEL 01 KITCHEN - WASTE & VENT
N.T.S.

Order Plans @ www.LDOnline.com