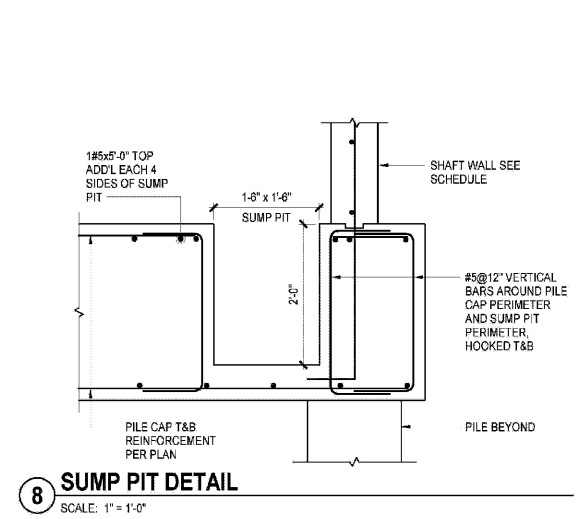
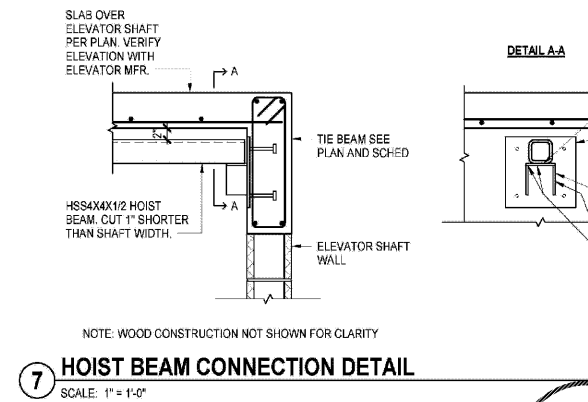


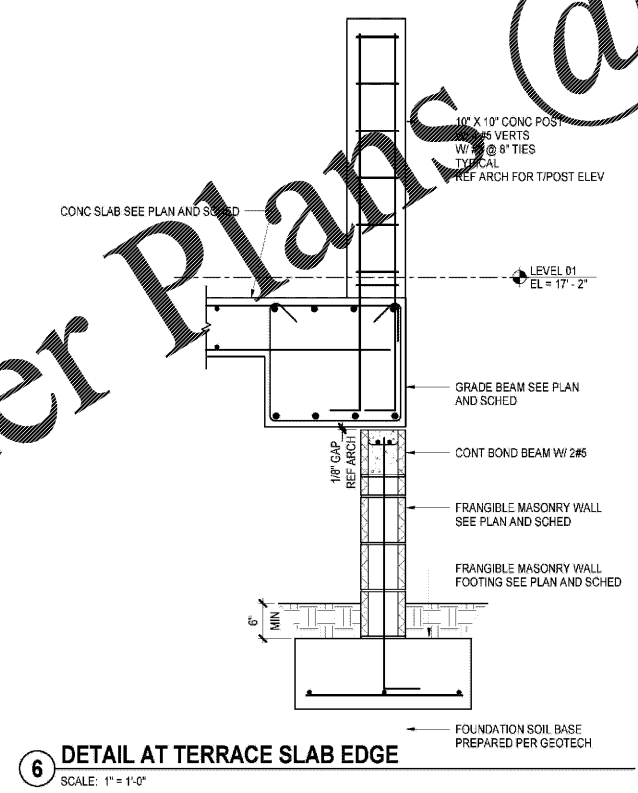
BM 300 (22808.00)_MarrIott Sawgrass Cabana Club_201905_WARRIOTT_CABANA_CLUB_2019.rvt
 BM 300 (22808.00)_MarrIott Sawgrass Cabana Club_201905_WARRIOTT_CABANA_CLUB_2019.rvt
 Sheet Number: S4.10
 PLOTTED ON: 05/22/2020 9:45:59 PM
 TEMPLATE VERSION: 3.0.0 (2017022)



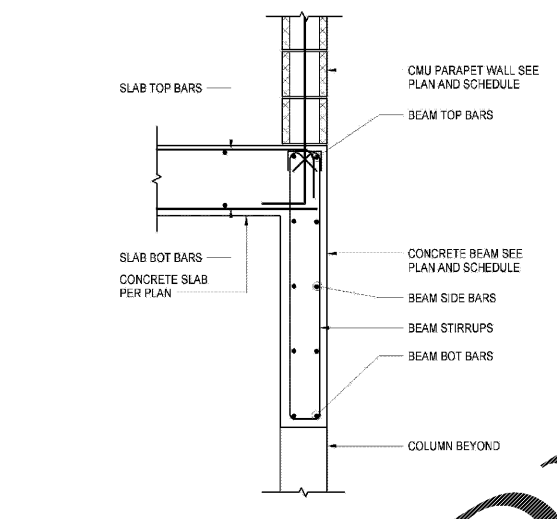
8 SUMP PIT DETAIL
SCALE: 1" = 1'-0"



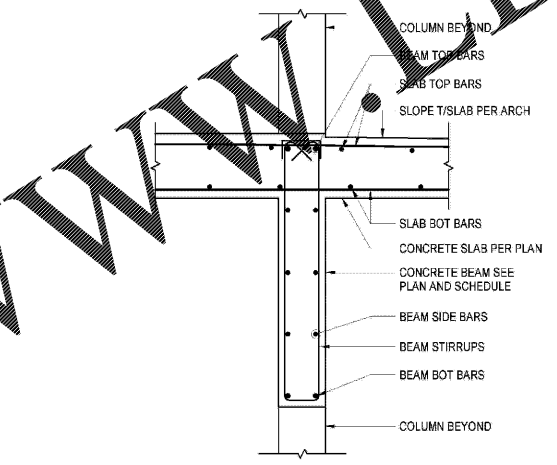
7 HOIST BEAM CONNECTION DETAIL
SCALE: 1" = 1'-0"



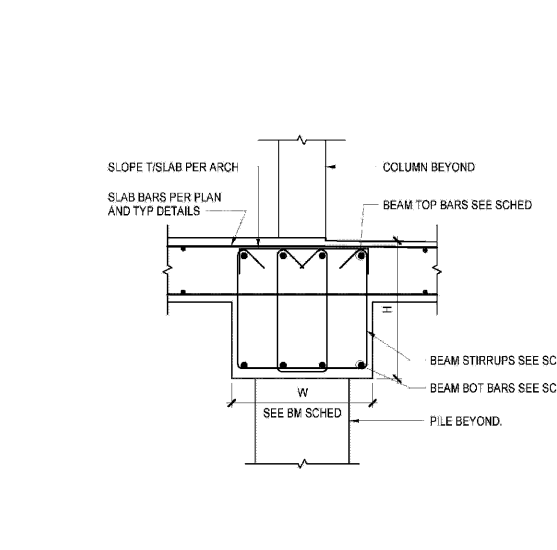
6 DETAIL AT TERRACE SLAB EDGE
SCALE: 1" = 1'-0"



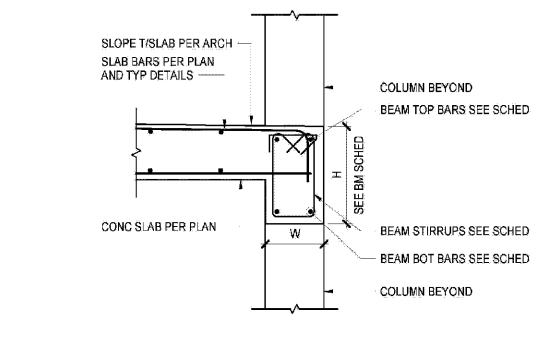
5 CONCRETE DETAIL AT ROOF DECK LEVEL
SCALE: 1" = 1'-0"



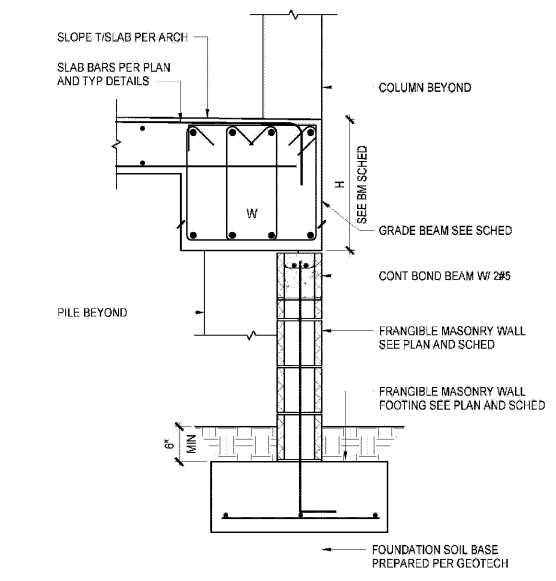
4 CONCRETE DETAIL AT LEVEL 02
SCALE: 1" = 1'-0"



3 CONCRETE DETAIL AT LEVEL 01
SCALE: 1" = 1'-0"



2 CONCRETE DETAIL AT LEVEL 02 - BALCONY EDGE
SCALE: 1" = 1'-0"



1 CONCRETE DETAIL AT LEVEL 01 - BALCONY EDGE
SCALE: 1" = 1'-0"

Order Plans @ WWW.LDILine.com

ARCHITECT
 HKS ARCHITECTS, INC.
 444 N. DIXIE BLVD.
 201 ALHAMBRA CIRCLE, SUITE 800
 CORAL GABLES, FL 33134

CIVIL ENGINEER
 KIMBLE HORN
 12740 GRAN BAY PARKWAY WEST
 SUITE 2350
 JACKSONVILLE, FL 32258

STRUCTURAL CONSULTANT
 THORNTON TOMASETTI, INC.
 121 NE THIRD AVENUE, SUITE 1170
 FORT LAUDERDALE, FL 33301-1159
 www.ThorntonTomasetti.com • CO#197519

MEP CONSULTANT
 THOMPSON FILE
 52 TECHNOLOGY FRMAY & PEACHTREE CORNERS
 VA 30002

KITCHEN CONSULTANT
 INNOVATIVE FOOD SERVICES
 11501 NORTH 45TH STREET, TAMPA, FL 33617

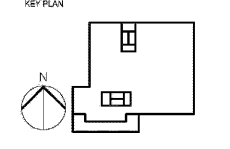
WATERPROOFING CONSULTANT
 ODC USA
 6070 Park Ln., Suite 400 Dallas, TX 75229

CODE & LIFE SAFETY CONSULTANT
 HOWE ENGINEERS
 101 LONGWATER CIR. NORWELL, MA 02061

MARRIOTT SAWGRASS CABANA CLUB

OWNER
 WATERMARK CAPITAL PARTNERS, LLC
 150 NORTH RIVERBIDE PLAZA SUITE 400
 CHICAGO, IL 60606

OWNER'S CONSULTANT
 THE JOHN HARDY GROUP INC.
 6335 SKIFFIELD RD., SUITE 200
 ATLANTA, GA 30328



| REVISION NO. | DESCRIPTION | DATE |
|--------------|-------------|------|
| | | |
| | | |
| | | |
| | | |
| | | |
| | | |
| | | |
| | | |
| | | |
| | | |

HKS PROJECT NUMBER
22808.001
 DATE:
05/22/2020
 ISSUE:
PERMIT SET

SHEET TITLE
CONCRETE DETAILS