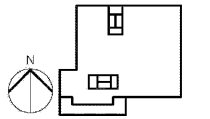


MARRIOTT SAWGRASS  
CABANA CLUB



SEVEN WASHNIK, STATE OF FLORIDA, LICENSED ENGINEER NO. 55303. THIS DRAWING WAS DIGITALLY SIGNED AND SEALED BY SEVEN WASHNIK ON 05/22/2020 UNDER A DIGITAL SIGNATURE. PRINTED COPIES OF THIS DOCUMENT ARE NOT CONSIDERED VALID UNLESS THEY ARE VERIFIED BY THE SIGNATURE SERVICE IDENTIFIED ON ANY ELECTRICAL COPIES.

KEY PLAN

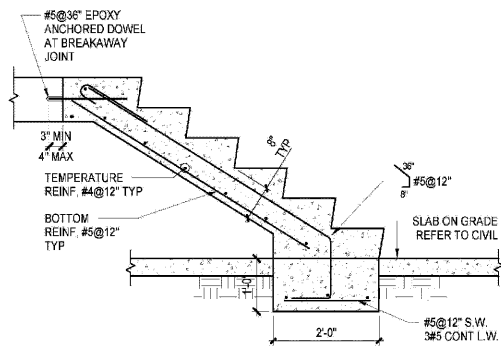


REVISION table with columns for NO., DESCRIPTION, and DATE.

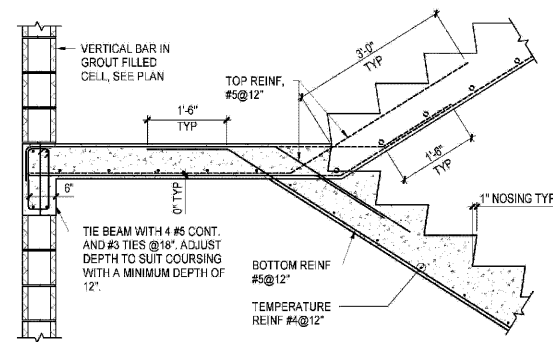
HKS PROJECT NUMBER  
**22808.001**  
DATE:  
**05/22/2020**  
ISSUE:  
**PERMIT SET**

SHEET TITLE  
**TYPICAL STAIR  
AND RAMP  
DETAILS**

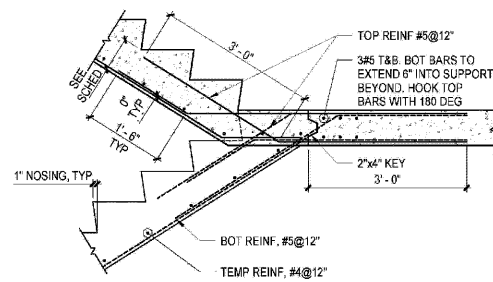
**S4.06**



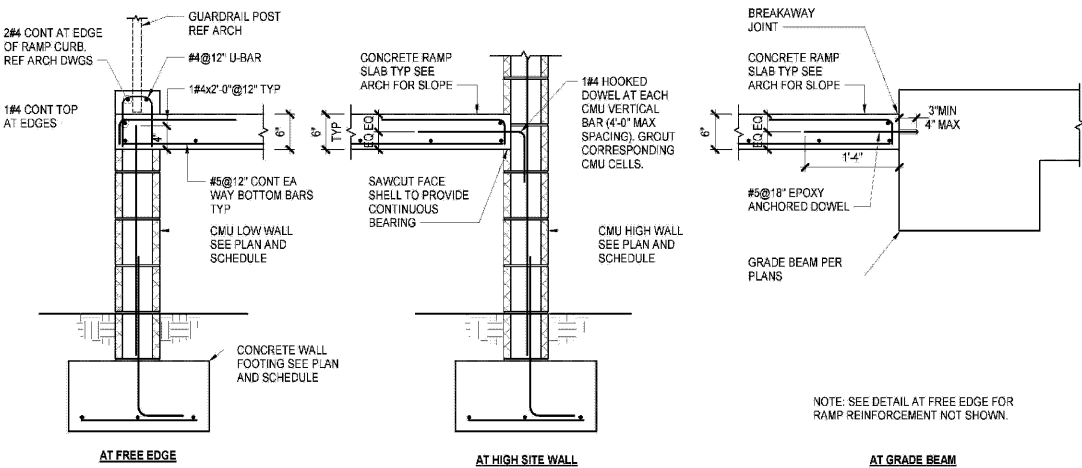
1 CONCRETE STAIR BASE AT GRADE  
SCALE: 3/4" = 1'-0"



2 LANDING AT MASONRY WALL  
SCALE: 3/4" = 1'-0"



3 SLAB BEAM AT FLOOR LANDING  
SCALE: 3/4" = 1'-0"



4 TYPICAL SITE RAMP DETAIL  
SCALE: 1" = 1'-0"

Order Plans @ www.LDILine.com