

REVISION

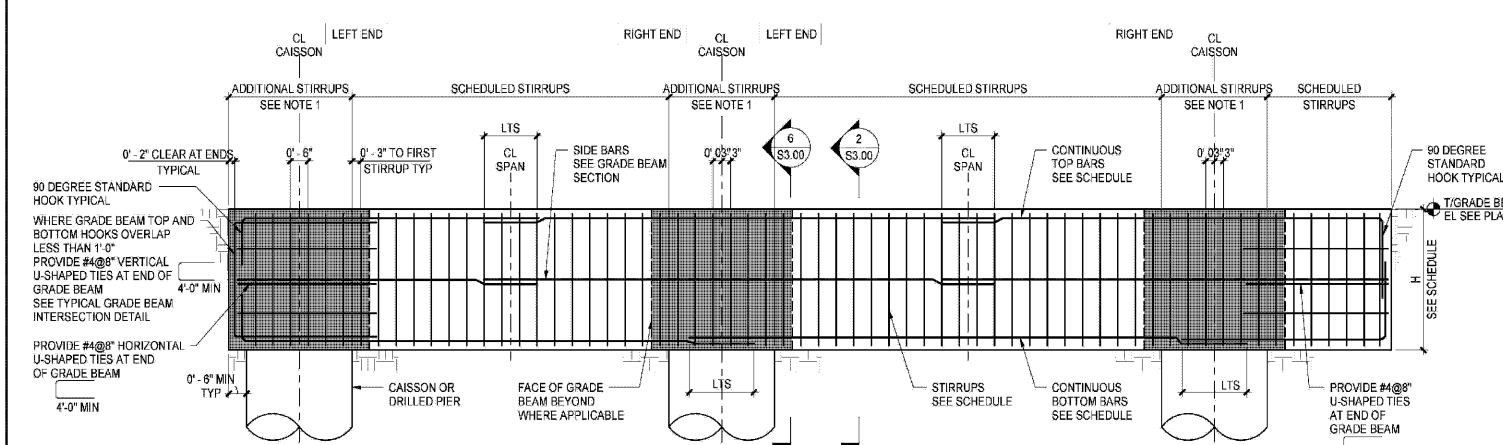
NO.	DESCRIPTION	DATE

HKS PROJECT NUMBER
22808.001

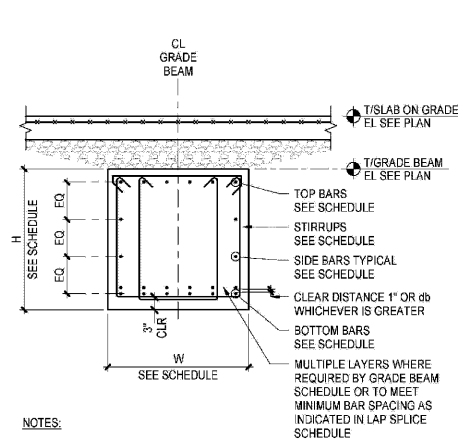
DATE:
05/22/2020

ISSUE:
PERMIT SET

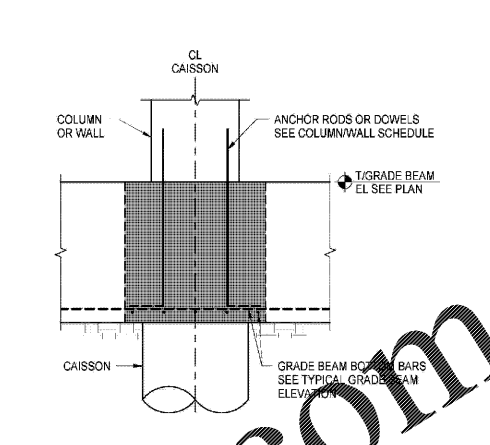
SHEET TITLE
TYPICAL FOUNDATION DETAILS



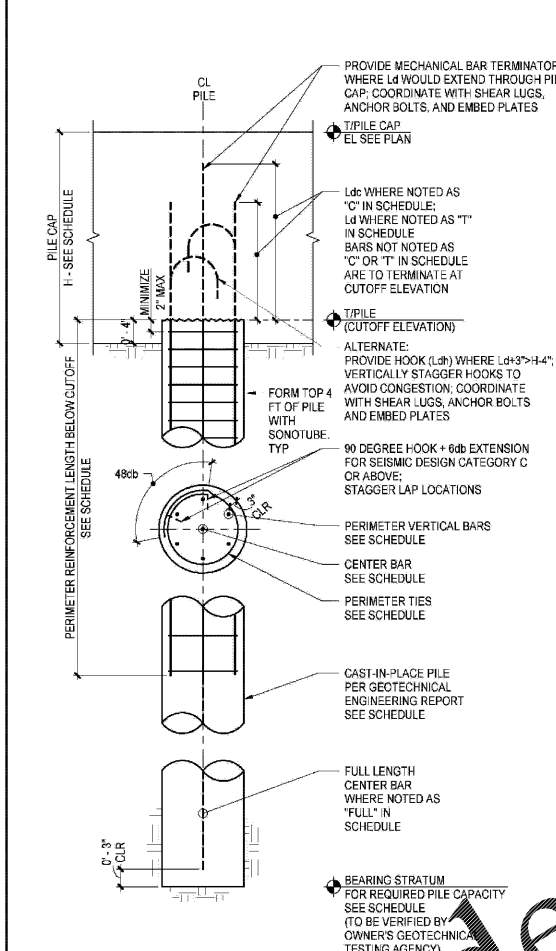
1 TYPICAL GRADE BEAM ELEVATION
NOT TO SCALE



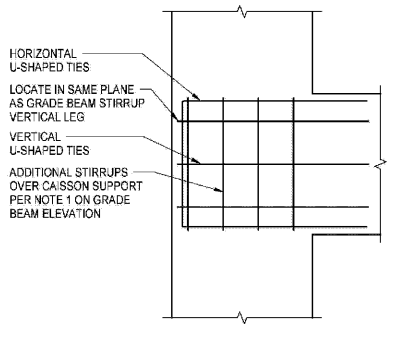
2 GRADE BEAM SECTION - TYPICAL
NOT TO SCALE



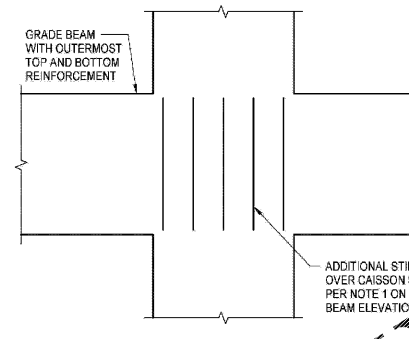
3 TYPICAL GRADE BEAM DETAIL AT COLUMN / WALL INTERSECTION
NOT TO SCALE



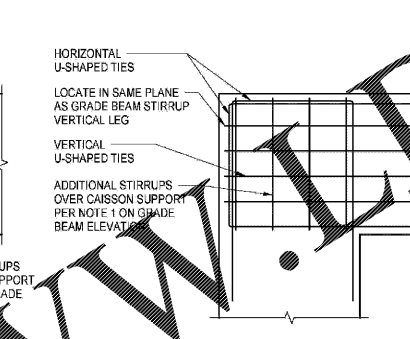
4 TYPICAL CAST-IN-PLACE PILE DETAIL
NOT TO SCALE



5 GRADE BEAM - T-INTERSECTION
NOT TO SCALE



6 GRADE BEAM - INTERIOR INTERSECTION
NOT TO SCALE



7 GRADE BEAM - CORNER CONDITION
NOT TO SCALE

CAST-IN-PLACE PILE SCHEDULE $f_c = \text{SEE GENERAL NOTES}$

PILE TYPE	PILE DIAMETER (IN)	PILE SERVICE CAPACITY (KIPS)	PILE UPLIFT SERVICE CAPACITY (KIPS)	PILE LATERAL SERVICE CAPACITY AT 1" DEFORMATION (KIPS)	PERIMETER REINFORCEMENT			CENTER REINFORCEMENT		REMARKS	
					VERTICAL BAR	LENGTH BELOW CUT OFF	TIES	CENTER BAR	LENGTH BELOW CUT OFF		
P16	16			3	8 #5	15'-0"	#4@12"	#4@12"	1 #7	FULL DEPTH	FORM TOP 4 FT OF PILES WITH SONOTUBE.

7 CAST-IN-PLACE PILE SCHEDULE
NOT TO SCALE

CONTINUOUS FOOTING SCHEDULE $f_c = \text{SEE GENERAL NOTES}$

MARK	WIDTH (IN)	DEPTH (IN)	BOTTOM BARS		TOP BARS	
			LONG (CONT)	SHORT	LONG (CONT)	SHORT
CF20	2'-0"	1'-0"	3-#5	#5@12"	N/A	N/A
CF25	2'-6"	1'-0"	3-#5	#5@12"	N/A	N/A
CF30	3'-0"	1'-0"	4-#5	#5@12"	N/A	N/A
CF40	4'-0"	1'-0"	5-#5	#5@12"	5-#4	#4@12"

8 CONTINUOUS FOOTING SCHEDULE
NOT TO SCALE

BM 30122800.00 - Married Sawgrass Cabana Club_201905_MARRIOTT_CABANA_CLUB_2019.rvt
 © THORNTON TOMASETTI, INC. 2020 PLOTTED ON: 5/27/2020 9:24:46 PM
 SHEET NUMBER: S3.00
 TEMPLATE VERSION: 3.00 (20170223)