

ARCHITECT
 HKS ARCHITECTS, INC.
 AIA F500119
 2000 BALZEDO ST., 4TH FLOOR
 CORAL GABLES, FL 33134

STRUCTURAL CONSULTANT
 THORNTON TOMASETTI
 101 NE THIRD AVE., SUITE 1170
 CORAL GABLES, FL 33131-1192

MEP CONSULTANT
 THORNTON TOMASETTI
 50 TECHNOLOGY PKWY S. PEACHTREE CORNERS,
 GA 30062

KITCHEN CONSULTANT
 INNOVATIVE FOOD SERVICE
 11131 NORTH 46TH STREET, TAMPA, FL 33617

WATERPROOFING CONSULTANT
 CDC USA
 0070 Park Ln., Suite 400 Dallas, TX 75231

CODE & LIFE SAFETY CONSULTANT
 HOWE ENGINEERS
 101 LONGWATER CIR, NORWELL, MA 02061

MARRIOTT SAWGRASS CABANA CLUB

619 PONTE VEDRA BLVD
 PONTE VEDRA BEACH, FL 32082

OWNER
 WATERMARK CAPITAL PARTNERS, LLC
 100 NORTH BREVILLE PLAZA, SUITE 4000
 CHICAGO, IL 60606

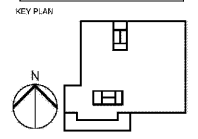
OWNER'S CONSULTANT
 THE JOHN HANBY GROUP INC.
 6000 BARKFIELD RD., SUITE 300
 ATLANTA, GA 30328

CIVIL ENGINEER AND LANDSCAPE CONSULTANT
 WILLEY/HORN
 12740 GRAN BAY PARKWAY WEST
 SUITE 2050
 JACKSONVILLE, FL 32256

INTERIOR DESIGN CONSULTANT
 H&M DESIGN
 3216 NEBRASKA AVENUE, SANTA MONICA,
 CALIFORNIA 90404 U. S. A.

This drawing is for information only to be used by the contractor as a general arrangement of error conditions. It has been made from available information, however measurements are to be verified on project site. This drawing must be verified and approved prior to their detailing and fabrication.

This drawing is the property of HIRSCH, SEDNER AND ASSOCIATES and is not to be reproduced or copied in whole or in part. It is only to be used for the project and site specifically identified herein and is not to be used on any other project. It is to be returned upon request.



REVISION NO.	DESCRIPTION	DATE

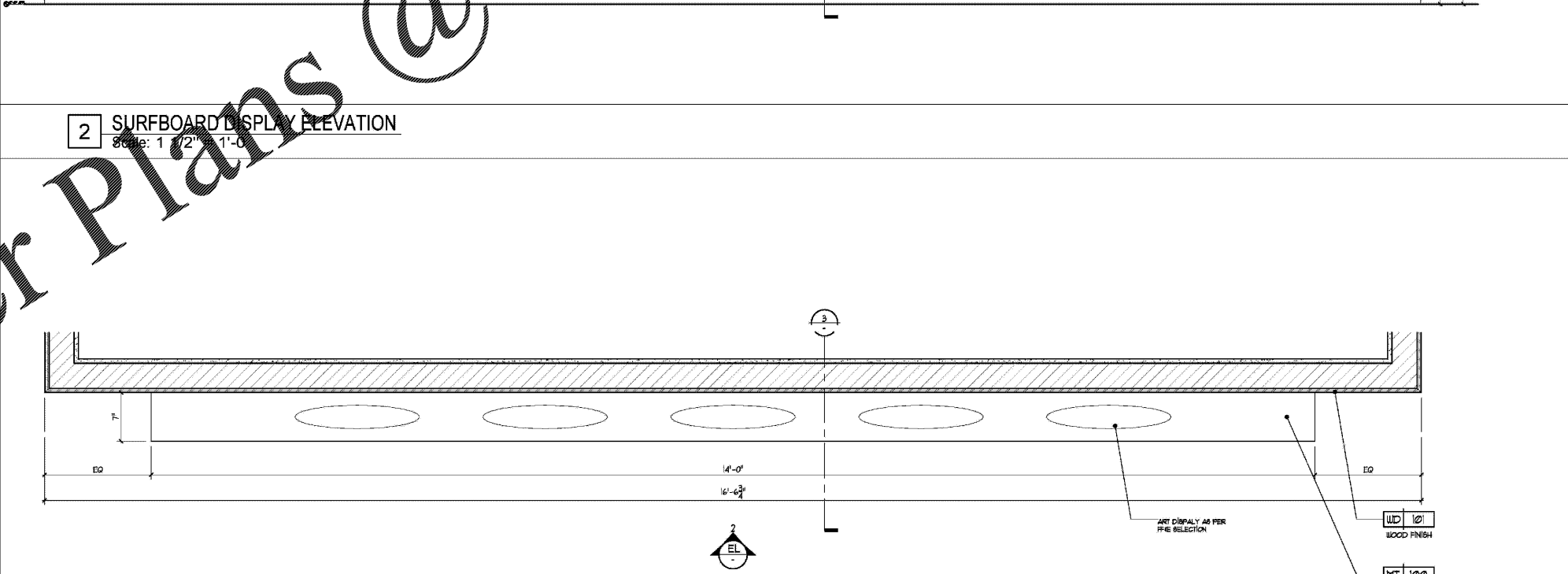
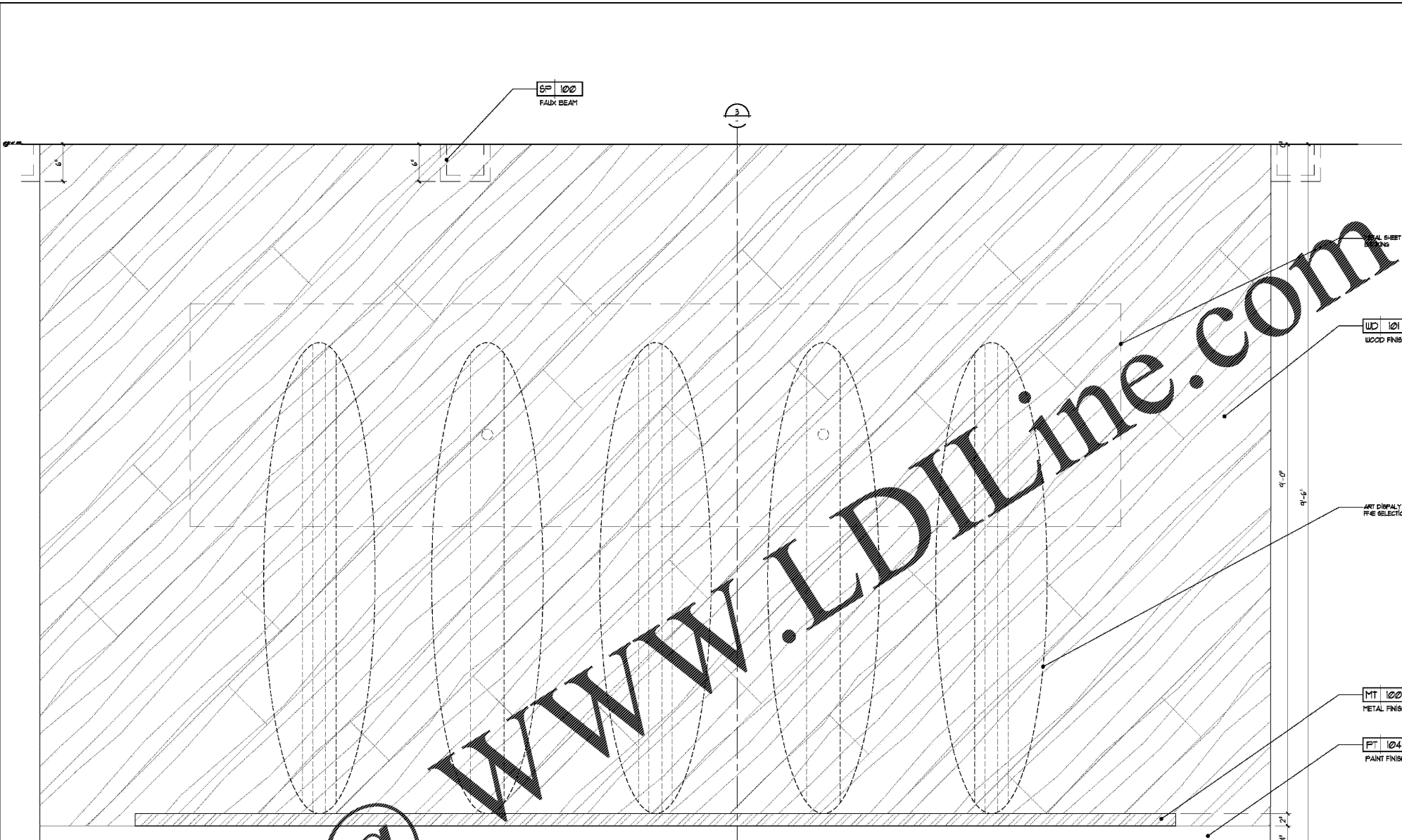
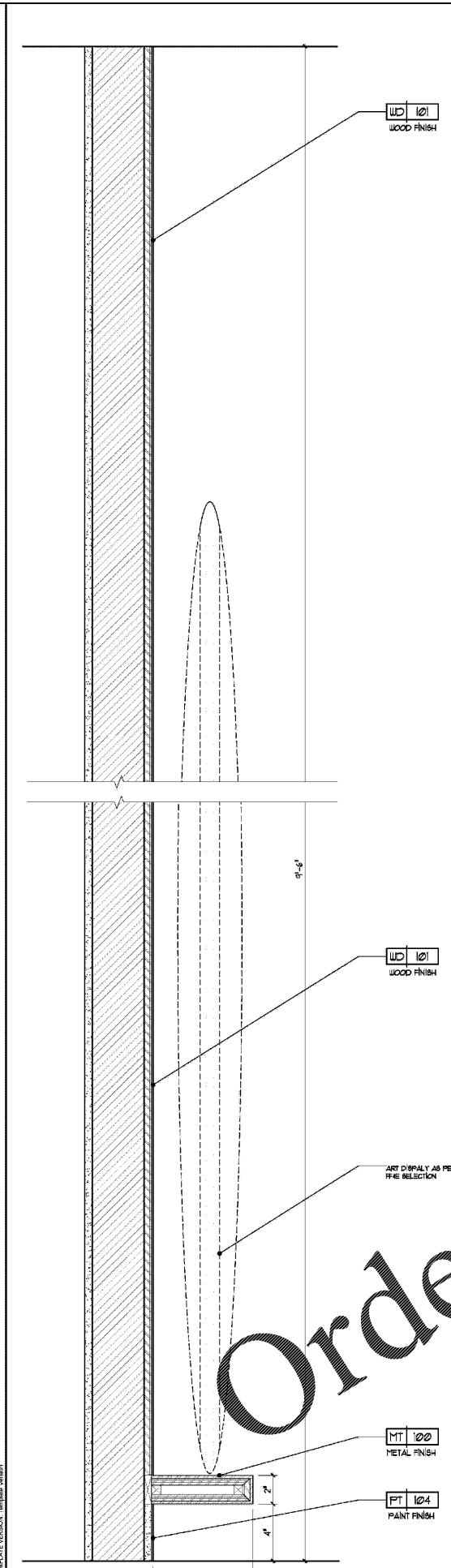
HKS PROJECT NUMBER
22808.001

DATE
05/22/2020

ISSUE
PERMIT SET

SHEET TITLE
**PUBLIC AREA - L1
 SURFBOARD DETAILS**

SHEET NO.
ID-706



3 SURFBOARD DISPLAY SECTION
 Scale: 3" = 1'-0"

1 PLAN @ SURFBOARD DISPLAY
 Scale: 1 1/2" = 1'-0"