

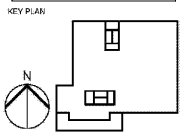
- ARCHITECT**
HKS ARCHITECTS, INC.
AAA F500119
2030 BALZEDO ST., 4TH FLOOR
CORAL GABLES, FL 33134
- STRUCTURAL CONSULTANT**
THORNTON TOMASETTI
101 NE THIRD AVE., SUITE 1170
1201 LAUREL CIRCLE, FL 33301-1120
- MEP CONSULTANT**
THORNTON DIXE
50 TECHNOLOGY PKWY S. PEACHTREE CORNERS,
GA 30062
- KITCHEN CONSULTANT**
INNOVATIVE FOOD SERVICE
11131 NORTH 46TH STREET, TAMPA, FL 33617
- WATERPROOFING CONSULTANT**
CDC USA
8070 Park Ln., Suite 400 Dallas, TX 75231
- CODE & LIFE SAFETY CONSULTANT**
HOWE ENGINEERS
101 LONGWATER CIR, NORWELL, MA 02061

MARRIOTT SAWGRASS CABANA CLUB

- 619 PONTE VEDRA BLVD
PONTE VEDRA BEACH, FL 32082
- OWNER**
WATERMARK CAPITAL PARTNERS, LLC
160 NORTH RIVERSIDE PLAZA - SUITE 400
CHICAGO, IL 60606
- OWNER'S CONSULTANT**
THE JOHN HARBET GROUP INC.
6008 BARKFIELD RD., SUITE 300
ATLANTA, GA 30328
- CIVIL ENGINEER AND LANDSCAPE CONSULTANT**
IMBLEY/HORN
12740 GRAN BAY PARKWAY WEST
SUITE 2030
JACKSONVILLE, FL 32256
- INTERIOR DESIGN CONSULTANT**
HDM DESIGN
3214 NEBRASKA AVENUE, SANTA MONICA,
CALIFORNIA 90404 U. S. A.

This drawing is for information only to be used by the contractor as a general arrangement of error conditions. It has been made from available information, however measurements are to be verified on project site. This drawing must be verified and approved prior to their detailing and fabrication.

This drawing is the property of HKS ARCHITECTS AND ASSOCIATES and is not to be reproduced or copied in whole or in part. It is only to be used for the project and site specifically identified herein and is not to be used on any other project. It is to be returned upon request.

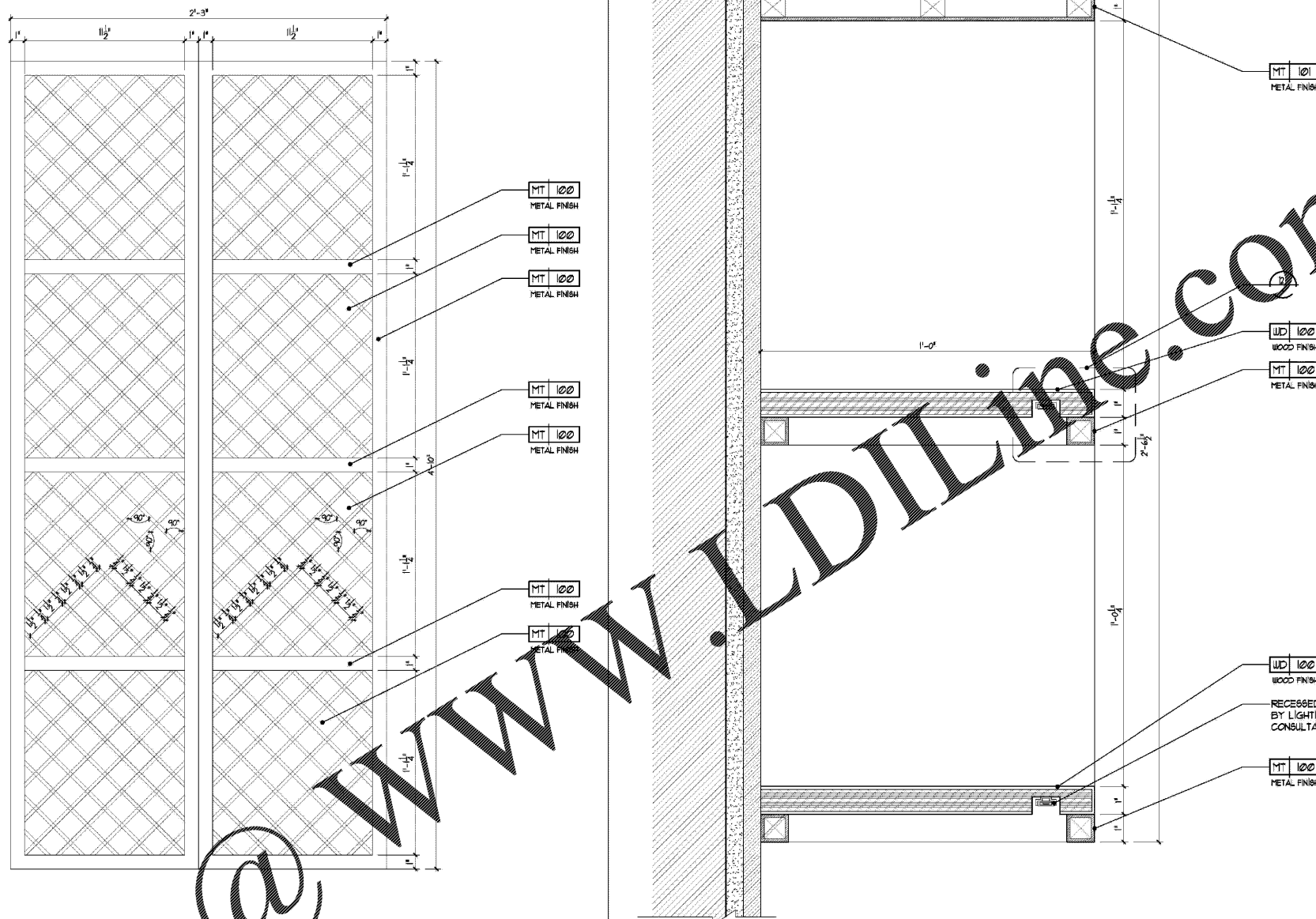


NO.	DESCRIPTION	DATE

HKS PROJECT NUMBER
22808.001
DATE
05/23/2020
HKS-IE
PERM DISSELT

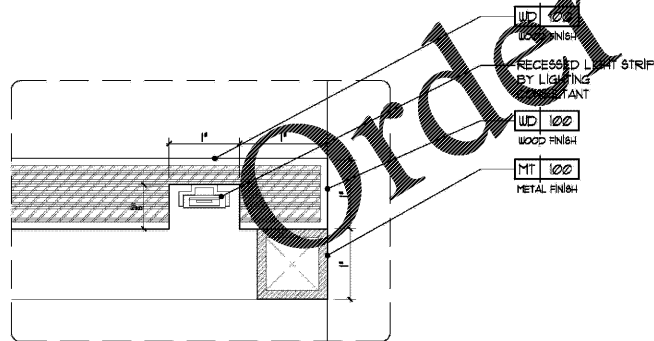
SHEET TITLE
**PUBLIC AREA - L1
BAR DETAILS**

SHEET NO.
ID-705



10 DETAIL @ LEVEL 1 BAR SHELVING
Scale: 6" = 1'-0"

11 DETAIL
Scale: 3" = 1'-0"



12 DETAIL
Scale: 12" = 1'-0"

9 DETAIL
Scale: 1 1/2" = 1'-0"

