

ARCHITECT
HKS ARCHITECTS, INC.
AAA F500119
2030 BALZEDO ST. 4TH FLOOR
CORAL GABLES, FL 33134

STRUCTURAL CONSULTANT
THORNTON TOMASETTI
101 NE THIRD AVE, SUITE 1110
FORT LAUDERDALE, FL 33301-1199

MEP CONSULTANT
THORNTON DUELL
50 TECHNOLOGY PKWY S. PEACHTREE CORNERS,
GA 30062

KITCHEN CONSULTANT
INNOVATIVE FOOD SERVICE
11131 NORTH 46TH STREET, TAMPA, FL 33617

WATERPROOFING CONSULTANT
CDC USA
8070 Park Ln., Suite 400 Dallas, TX 75231

CODE & LIFE SAFETY CONSULTANT
HOWE ENGINEERS
101 LONGWATER CIR, NORWELL, MA 02061

MARRIOTT SAWGRASS CABANA CLUB

618 PONTE VEDRA BLVD
PONTE VEDRA BEACH, FL 32082

OWNER
WATERMARK CAPITAL PARTNERS, LLC
150 NORTH WENDELL PLAZA SUITE 4000
CHICAGO, IL 60626

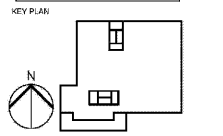
OWNER'S CONSULTANT
THE JOHN HENRY GROUP INC.
6085 BARKFIELD RD. SUITE 200
ATLANTA, GA 30328

CIVIL ENGINEER AND LANDSCAPE CONSULTANT
HOLEYHORN
12740 GRAN BAY PARKWAY WEST
SUITE 2030
JACKSONVILLE, FL 32256

INTERIOR DESIGN CONSULTANT
H&M DESIGN
3215 NEBRASKA AVENUE, SANTA MONICA,
CALIFORNIA 90404 U. S. A.

This drawing is for information only to be used by the contractor as a general arrangement of error conditions. It has been made from available information. However measurements are to be verified on project site. This drawing must be verified and approved prior to their detailing and fabrication.

This drawing is the property of HIRSHCO, SEDNER AND ASSOCIATES and is not to be reproduced or copied in whole or in part. It is only to be used for the project and site specifically identified herein and is not to be used on any other project. It is to be returned upon request.



REVISION NO.	DESCRIPTION	DATE

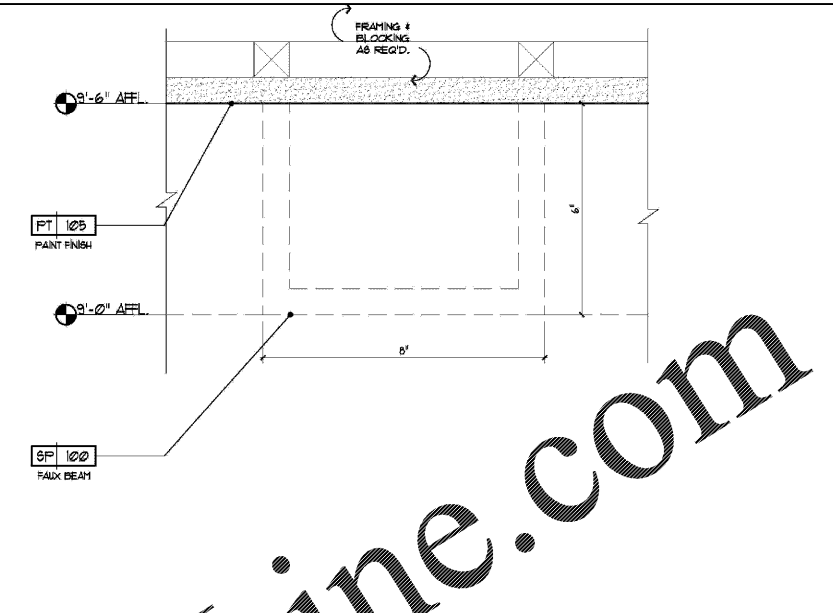
HKS PROJECT NUMBER
22808.001

DATE
05/22/2020

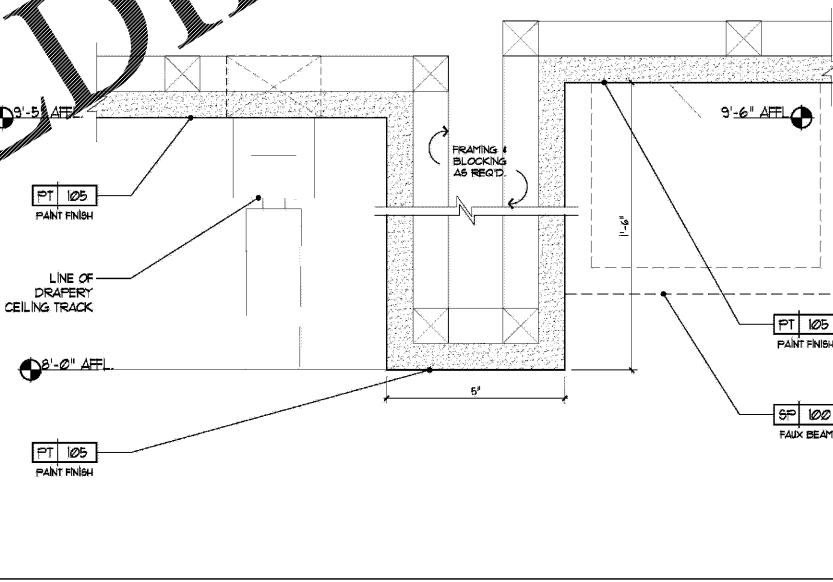
ISSUE
PERMIT SET

SHEET TITLE
**PUBLIC AREA - LEVEL 1&2
CEILING DETAILS**

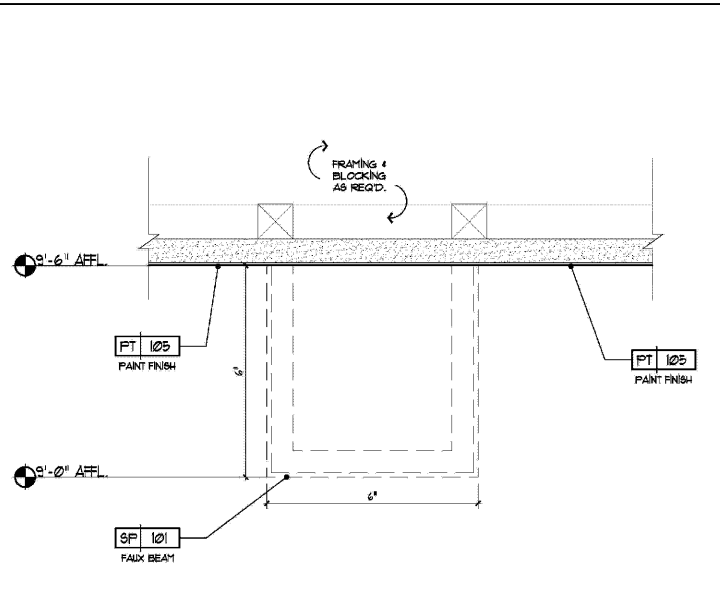
SHEET NO.
ID-301



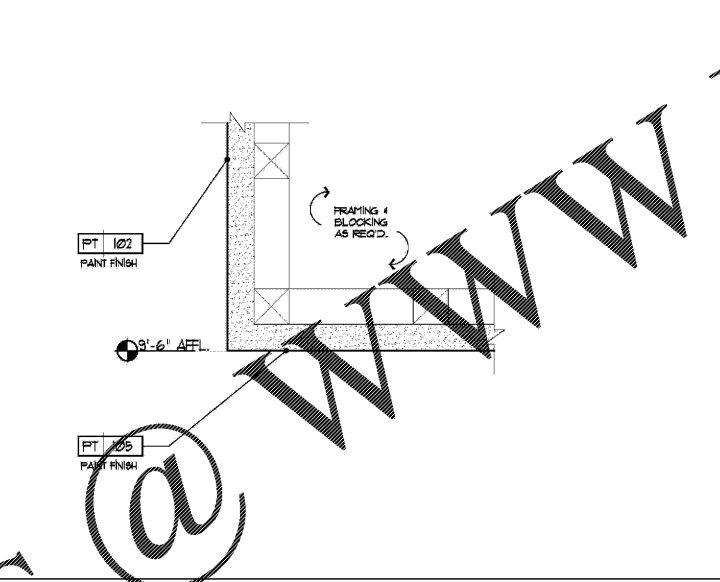
3 TYPICAL FAUX BEAM DETAIL @ LVL 1
Scale: 6"=1'-0



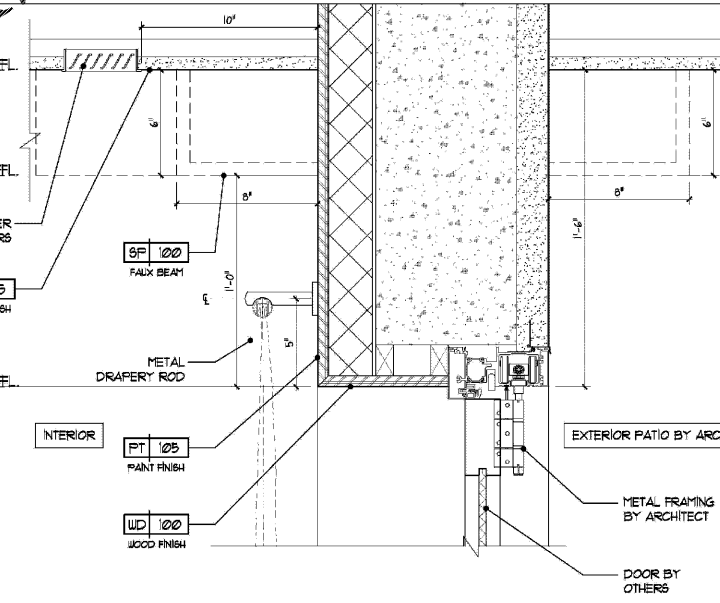
2 CEILING DETAIL @ LVL 1 S/S
Scale: 6"=1'-0



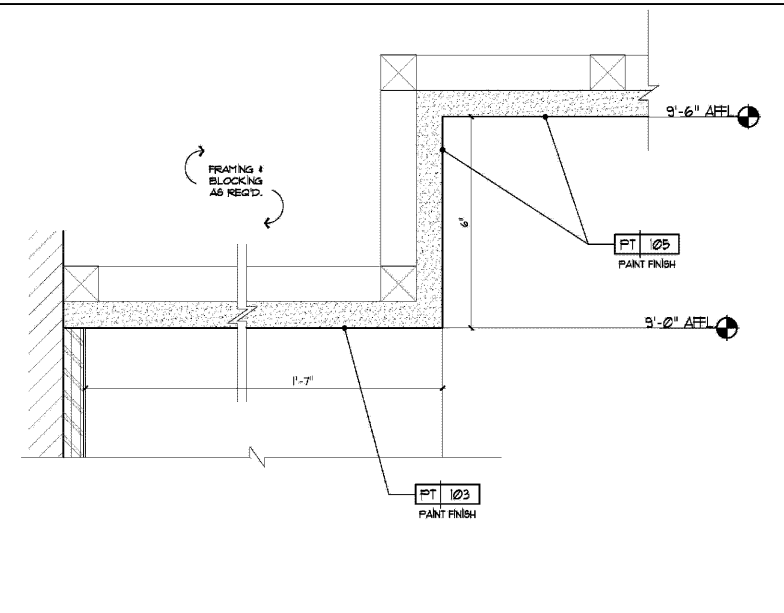
6 CEILING DETAIL @ LVL 1 BAR
Scale: 6"=1'-0



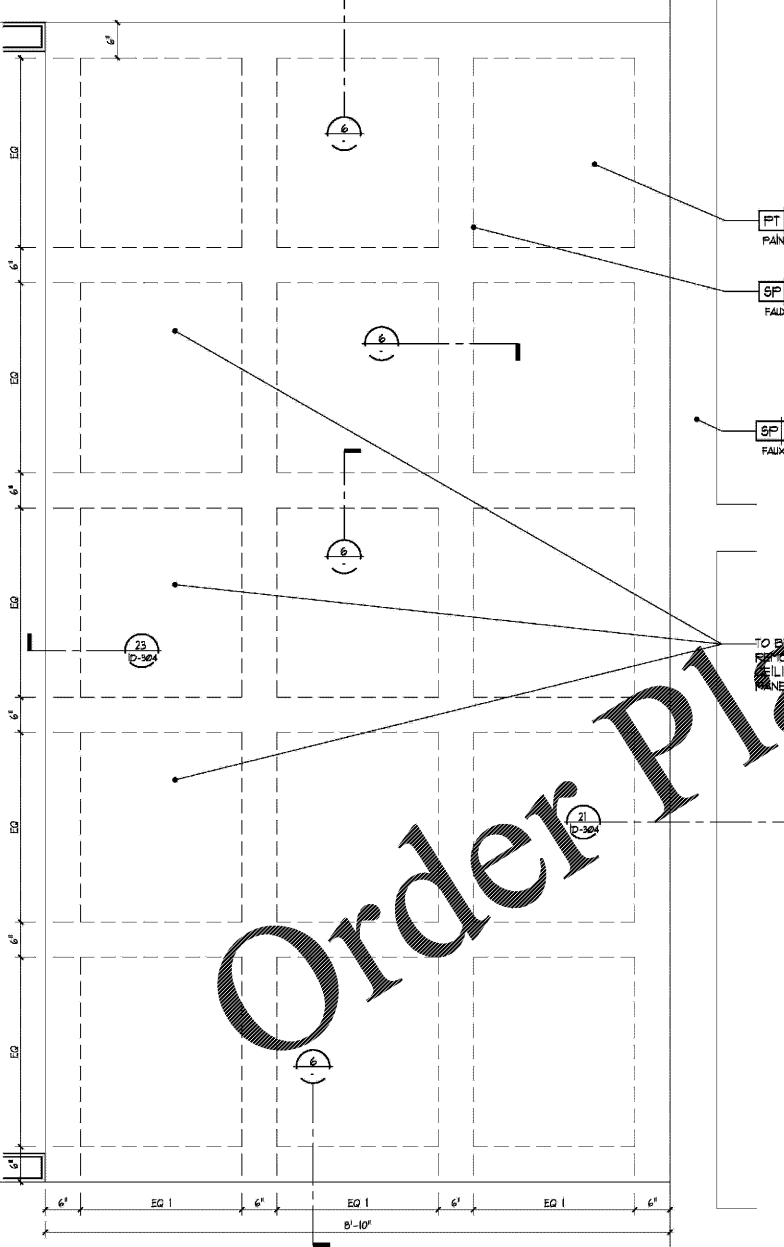
5 CEILING DETAIL @ LVL 1 ENTRY/ VESTIBULE
Scale: 6"=1'-0



4 CEILING DETAIL @ LVL 1
Scale: 3"=1'-0



8 CEILING DETAIL @ LVL 2 DISPLAY SHELF
Scale: 6"=1'-0



7 CEILING DETAIL @ LVL 1 BAR
Scale: 1"=1'-0

1 CEILING DETAIL @ LVL 1 & 2 CORRIDOR
Scale: 6"=1'-0

Order Plans @ www.LDinline.com