

- ARCHITECT**
 HKS ARCHITECTS, INC.
 AAA F000119
 2030 SALZEDO ST. 4TH FLOOR
 CORAL GABLES, FL 33134
- STRUCTURAL CONSULTANT**
 THORNTON TOMASETTI
 101 NE THIRD AVE., SUITE 1170
 FORT LAUDERDALE, FL 33301-1129
- MEP CONSULTANT**
 THORNTON TOMASETTI
 50 TECHNOLOGY PKWY S. PEACHTREE CORNERS, GA 30062
- KITCHEN CONSULTANT**
 INNOVATIVE FOOD SERVICE
 11131 NORTH 46TH STREET, TAMPA, FL 33617
- WATERPROOFING CONSULTANT**
 CDC USA
 8070 PARK LN., SUITE 400 DALLAS, TX 75231
- CODE & LIFE SAFETY CONSULTANT**
 HOWE ENGINEERS
 101 LONGWATER CIR, NORWELL, MA 02061

**MARRIOTT SAWGRASS
 CABANA CLUB**

619 PONTE VEDRA BLVD
 PONTE VEDRA BEACH, FL 32082

OWNER
 WATERMARK CAPITAL PARTNERS, LLC
 150 NORTH RIVERSIDE PLAZA SUITE 4000
 CHICAGO, IL 60606

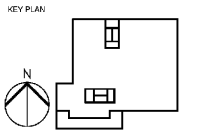
OWNER'S CONSULTANT
 THE JOHN HARDY GROUP INC.
 6085 BARKFIELD RD., SUITE 200
 ATLANTA, GA 30328

CIVIL ENGINEER AND LANDSCAPE CONSULTANT
 HOLEY-HORN
 12740 GRAN BAY PARKWAY WEST
 SUITE 2030
 JACKSONVILLE, FL 32256

INTERIOR DESIGN CONSULTANT
 H&M DESIGN
 3216 NEBRASKA AVENUE, SANTA MONICA, CALIFORNIA 90404 U. S. A.

This drawing is for information only to be used by the contractor as a general arrangement of error conditions. It has been made from available information, however measurements are to be verified on project site. This drawing must be verified and approved prior to their detailing and fabrication.

This drawing is the property of HIRSCH-BEDNER AND ASSOCIATES and is not to be reproduced or copied in whole or in part. It is only to be used for the project and site specifically identified herein and is not to be used on any other project. It is to be returned upon request.



REVISION NO.	DESCRIPTION	DATE

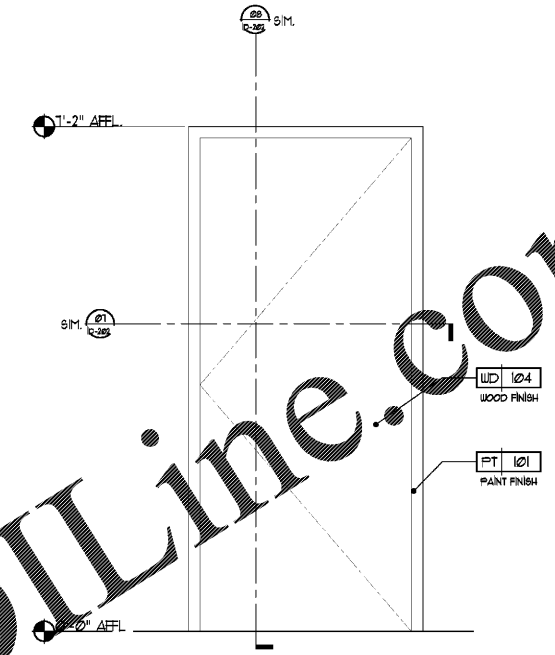
HKS PROJECT NUMBER
22808.001

DATE
05/22/2020

ISSUE
PERMIT SET

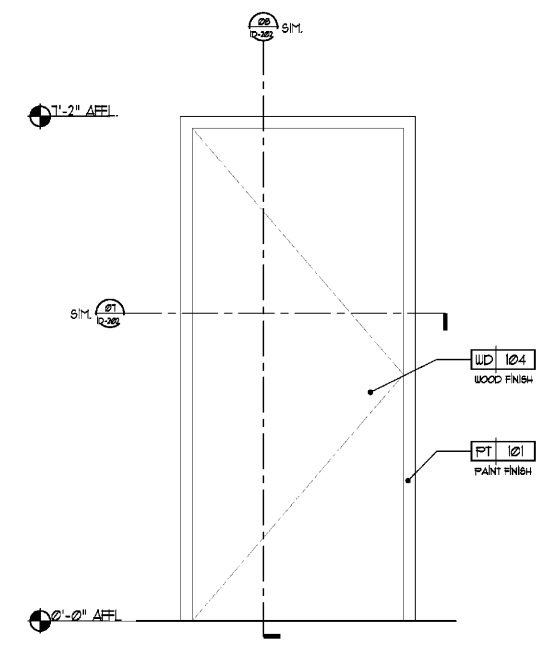
SHEET TITLE
**PUBLIC AREA - LEVEL 2
 DOOR SCHEDULE**

SHEET NO.
ID-102



D10 BOTH SIDES

D10	QTY.	LOCATION	FINISH	
			INSIDE	OUTSIDE
2	BATHROOM DOOR			
CONSTRUCTION	FINISH	OUTSIDE	FINISH	QTY
IRON/ONGERY	ITEM	BRAND	MODEL/SIZE	
DOOR HANDLE		QTY	SEE ARCHITECTURAL DRAWING SET	
STOPPER				



D9 BOTH SIDES

D9	QTY.	LOCATION	FINISH	
			INSIDE	OUTSIDE
1	DOOR /BOH			
CONSTRUCTION	FINISH	OUTSIDE	FINISH	QTY
IRON/ONGERY	ITEM	BRAND	MODEL/SIZE	
DOOR HANDLE		QTY	SEE ARCHITECTURAL DRAWING SET	
STOPPER				

Order Plans @ www.LDILine.com

www.LDILine.com