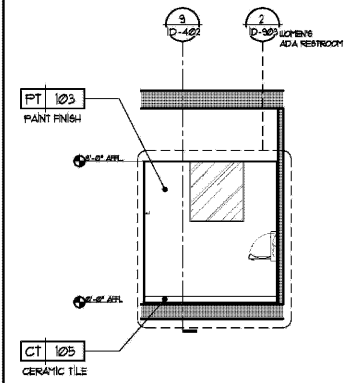


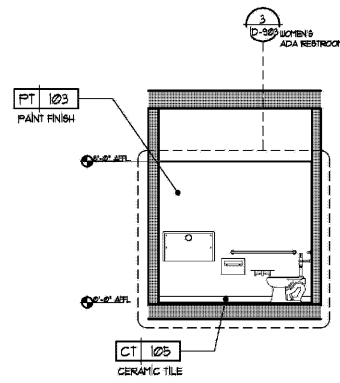
ARCHITECT  
HKS ARCHITECTS, INC.  
AAA F500119  
2030 BALZEDO ST. 4TH FLOOR  
CORAL GABLES, FL 33134  
STRUCTURAL CONSULTANT  
THORNTON TOMASETTI  
101 NE THIRD AVE., SUITE 1110  
FORT LAUDERDALE, FL 33301-1199  
MEP CONSULTANT  
THORNTON DUELL  
50 TECHNOLOGY PKWY S. PEACHTREE CORNERS,  
GA 30067  
KITCHEN CONSULTANT  
INNOVATIVE FOOD SERVICE  
11131 NORTH 46TH STREET, TAMPA, FL 33617  
WATERPROOFING  
CONSULTANT  
CDC USA  
8070 PARK LN., SUITE 400 DALLAS, TX 75221  
CODE & LIFE SAFETY  
CONSULTANT  
HOWE ENGINEERS  
101 LONGWATER CIR, NORWELL, MA 02061

MARRIOTT SAWGRASS  
CABANA CLUB

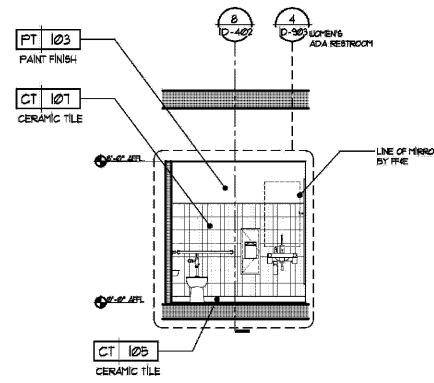
619 PONTE VEDRA BLVD  
PONTE VEDRA BEACH, FL 32082  
OWNER  
WATERMARK CAPITAL PARTNERS, LLC  
116 NORTH WENDELL PLAZA SUITE 400  
CHICAGO, IL 60606  
OWNER'S CONSULTANT  
THE JOHN HANBY GROUP INC.  
6085 BARKFIELD RD. SUITE 200  
ATLANTA, GA 30328  
CIVIL ENGINEER AND  
LANDSCAPE CONSULTANT  
HOLLEYHORN  
12740 GRAN BAY PARKWAY WEST  
SUITE 2050  
JACKSONVILLE, FL 32256  
INTERIOR DESIGN CONSULTANT  
H&A DESIGN  
3215 NEBRASKA AVENUE, SANTA MONICA,  
CALIFORNIA 90404 U. S. A.  
This drawing is for information only to be  
used by the contractor as a general  
arrangement of error conditions. It has  
been made from available information,  
however measurements are to be verified  
on project site. This drawing must be verified  
and approved prior to their detailing and  
fabrication.  
This drawing is the property of HIRSHIG,  
SEIDER AND ASSOCIATES and is not to be  
reproduced or copied in whole or in part. It  
is only to be used for the project and site  
specifically identified herein and is not to  
be used on any other project. It is to be  
returned upon request.



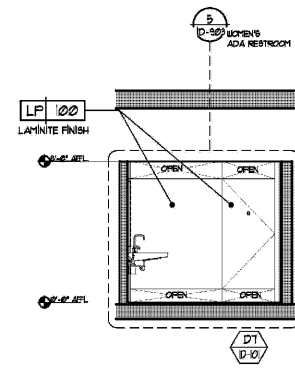
21 ELEVATION  
Scale: 1/4" = 1'-0"



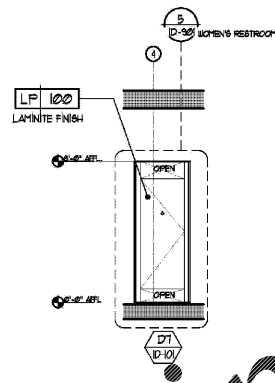
22 ELEVATION  
Scale: 1/4" = 1'-0"



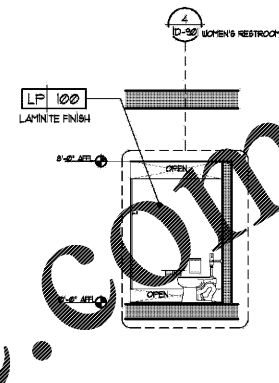
23 ELEVATION  
Scale: 1/4" = 1'-0"



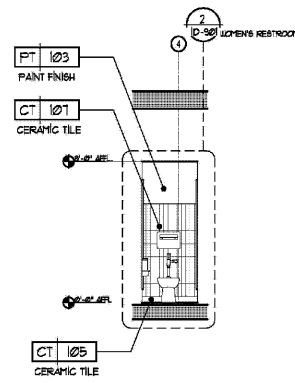
24 ELEVATION  
Scale: 1/4" = 1'-0"



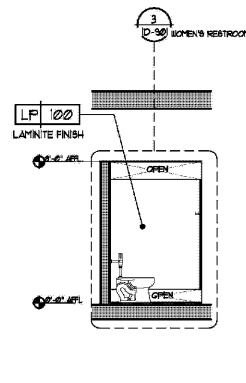
25 ELEVATION  
Scale: 1/4" = 1'-0"



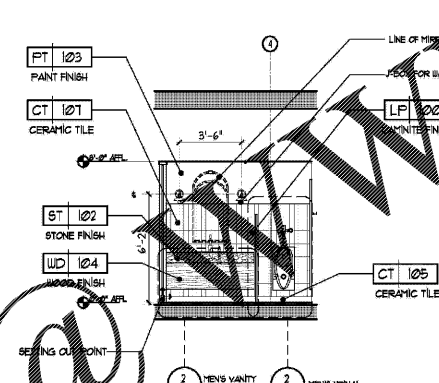
26 ELEVATION  
Scale: 1/4" = 1'-0"



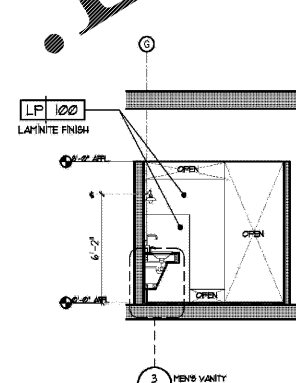
27 ELEVATION  
Scale: 1/4" = 1'-0"



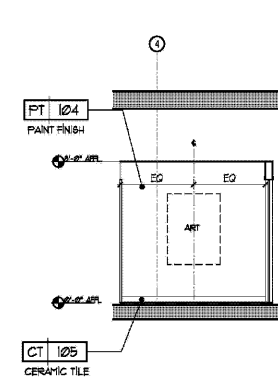
28 ELEVATION  
Scale: 1/4" = 1'-0"



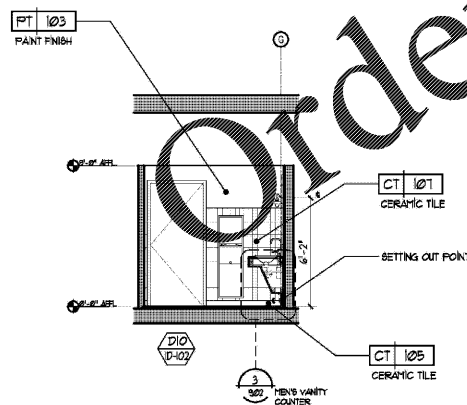
29 ELEVATION  
Scale: 1/4" = 1'-0"



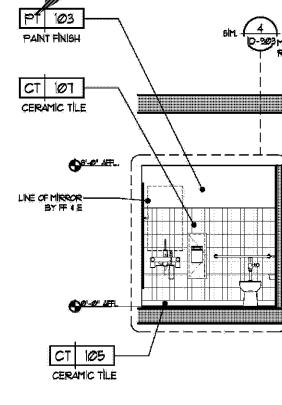
30 ELEVATION  
Scale: 1/4" = 1'-0"



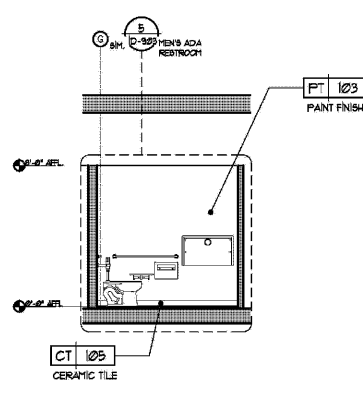
31 ELEVATION  
Scale: 1/4" = 1'-0"



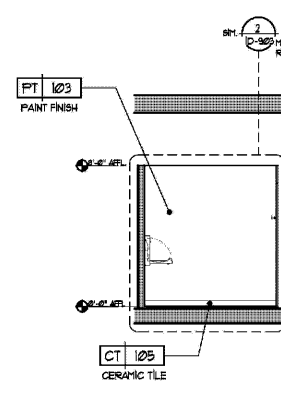
32 ELEVATION  
Scale: 1/4" = 1'-0"



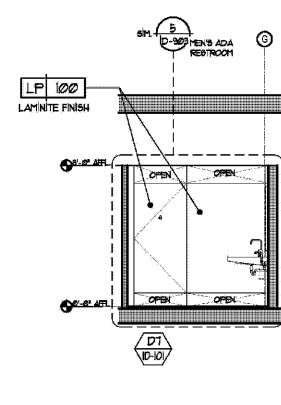
33 ELEVATION  
Scale: 1/4" = 1'-0"



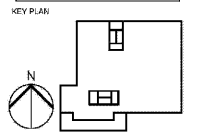
34 ELEVATION  
Scale: 1/4" = 1'-0"



35 ELEVATION  
Scale: 1/4" = 1'-0"



36 ELEVATION  
Scale: 1/4" = 1'-0"



REVISION

NO.	DESCRIPTION	DATE

HKS PROJECT NUMBER  
**22808.001**  
DATE  
**05/22/2020**  
HKS  
**PERMIT SET**  
SHEET TITLE  
**PUBLIC AREA - LEVEL 2  
ELEVATIONS**