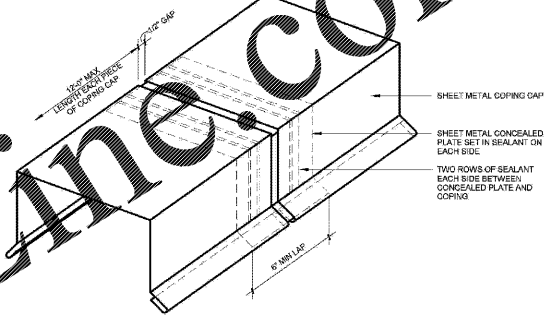
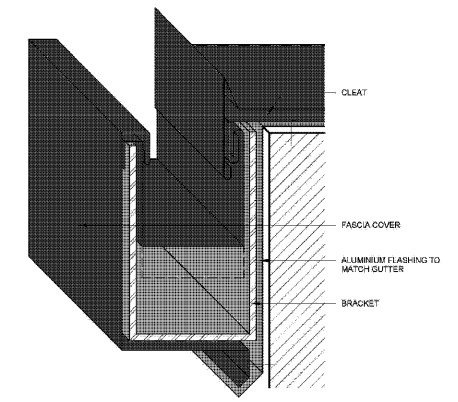


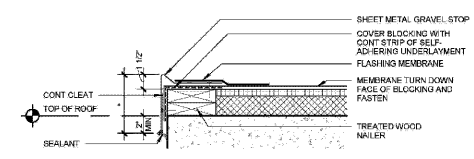
Order Plans @ www.LDILine.com



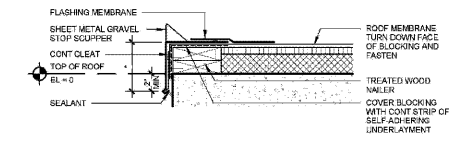
04 COPING CAP WITH CONCEALED PLATE
3" = 1'-0"



03 EDGE HANGING GUTTER
3" = 1'-0"



02 GRAVEL STOP
1 1/2" = 1'-0"



01 GRAVEL STOP SCUPPER
1 1/2" = 1'-0"

HKS

ARCHITECT
HKS ARCHITECTS, INC.
AAA F002119
2030 SALZEDO ST, 4TH FLOOR
CORAL GABLES, FL 33134

STRUCTURAL CONSULTANT
THE RYAN TOMASETTI
101 NE THIRD AVE, SUITE 1170
FORT LAUDERDALE, FL 33301-1199

MEP CONSULTANT
THOMPSON E-FILE
53 TECHNOLOGY PKWY S, PEACHTREE CORNERS,
GA 30082

KITCHEN CONSULTANT
INNOVATIVE FOOD SERVICE
11101 NORTH 40TH STREET, TAMPA, FL 33617

WATERPROOFING CONSULTANT
CDC USA
8070 Park Ln., Suite 400 Dallas, TX 75221

CODE & LIFE SAFETY CONSULTANT
HOWE ENGINEERS
101 LONGWATER CIR, NORWELL, MA 02061

**MARRIOTT SAWGRASS
CABANA CLUB**

610 PONTE VEDRA BLVD
PONTE VEDRA BEACH, FL 32082

OWNER
WATERMARK CAPITAL PARTNERS, LLC
100 NORTH RIVERSIDE PLAZA, SUITE 4000
CHICAGO, IL 60605

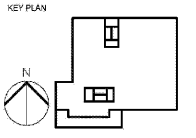
OWNER'S CONSULTANT
THE JOHN HARDY GROUP INC.
6085 SHELFIELD RD., SUITE 200
ATLANTA, GA 30328

CIVIL ENGINEER AND LANDSCAPE CONSULTANT
KIMLEY-HORN
12740 GRAN BAY PARKWAY WEST
SUITE 2200
JACKSONVILLE, FL 32256

INTERIOR DESIGN CONSULTANT
H&A DESIGN
3016 MERRILL AVENUE, SANTA MONICA,
CALIFORNIA 90404 U.S.A.



JOHN H. G. SPIRELLI, STATE OF FLORIDA,
REGISTERED PROFESSIONAL ENGINEER, LICENSE NO. AR99092
THIS PLAN HAS BEEN EXAMINED AND APPROVED BY
BY: JOHN H. G. SPIRELLI, P.E.
DATE: 05/22/2020
PRINTED COPIES OF THIS DOCUMENT ARE NOT
VALID UNLESS SIGNED AND SEALED BY THE
SIGNATURE HAS BEEN REPRODUCED IN ELECTRONIC
FORM.



REVISION NO.	DESCRIPTION	DATE

HKS PROJECT NUMBER
22808.001

DATE:
05/22/2020

ISSUE:
PERMIT SET

SHEET TITLE
SINGLE PLY ROOFING DETAILS

02

SHEET NO.

A2.14