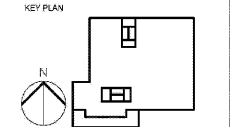


JONATHAN G. SORRELL, STATE OF FLORIDA, LICENSED PROFESSIONAL ENGINEER (EIT) 99092. THIS PLAN HAS BEEN ELECTRONICALLY SIGNED AND SEALED BY: JONATHAN G. SORRELL, DATE: 05/22/2020. PRINTED COPIES OF THIS DOCUMENT ARE NOT VALID UNLESS THEY ARE SIGNED AND SEALED AND THE SIGNATURE HAS BEEN VERIFIED BY ELECTRONIC COPIES.



| REVISION NO. | DESCRIPTION | DATE |
|--------------|-------------|------|
| | | |
| | | |
| | | |
| | | |
| | | |
| | | |
| | | |
| | | |
| | | |

HKS PROJECT NUMBER
22808.001

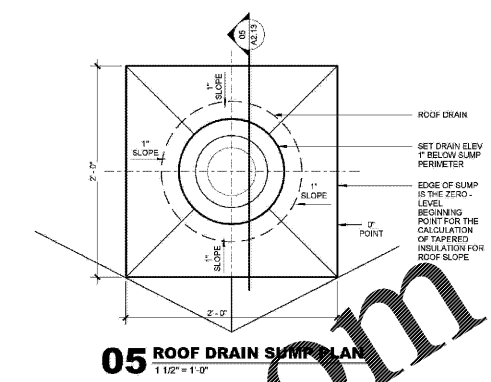
DATE:
05/22/2020

ISSUE:
PERMIT SET

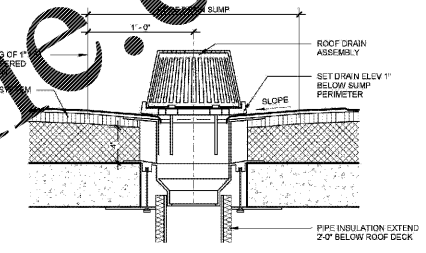
SHEET TITLE
**SINGLE PLY
ROOFING DETAILS**

01

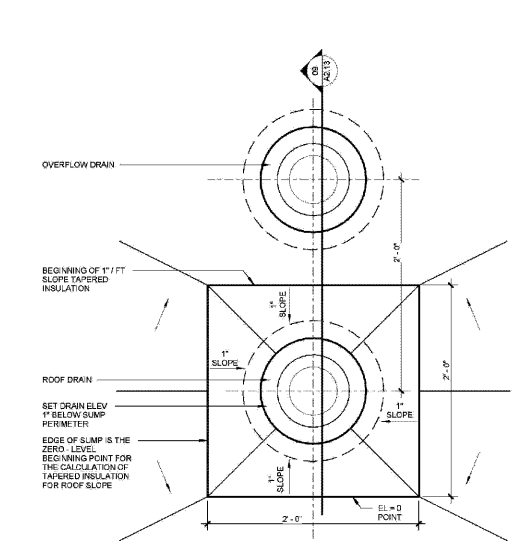
SHEET NO.



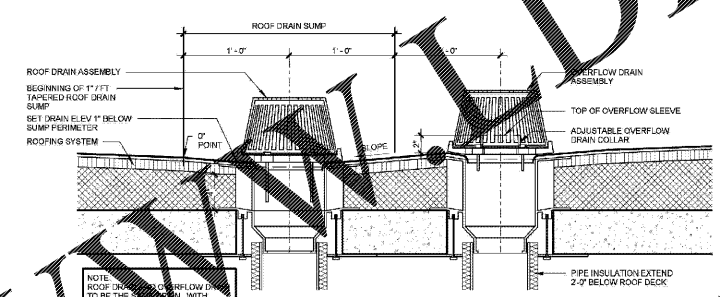
05 ROOF DRAIN SUMP PLAN
1 1/2" = 1'-0"



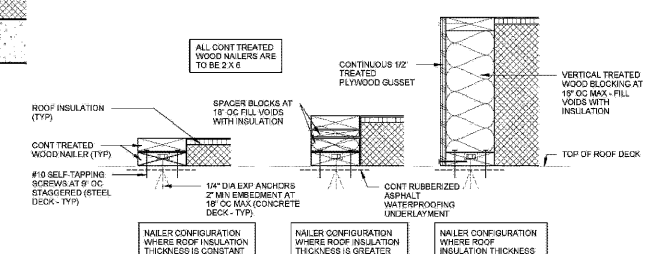
04 ROOF DRAIN SUMP SECTION
1 1/2" = 1'-0"



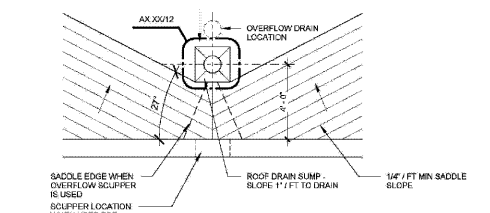
**09 ROOF DRAIN WITH
ADJACENT OVERFLOW DRAIN**
1 1/2" = 1'-0"



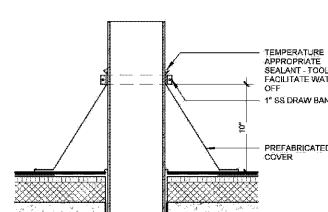
**08 ROOF DRAIN - OVERFLOW
DRAIN / SUMP SECTION**
1 1/2" = 1'-0"



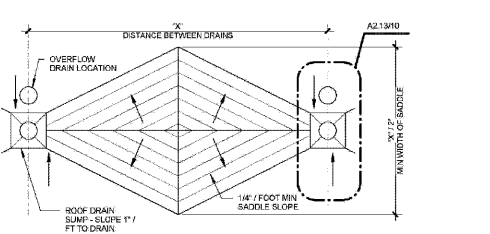
**03 TREATED WOOD
NAILER CONFIGURATIONS**
1 1/2" = 1'-0"



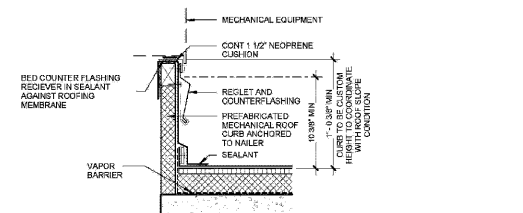
**07 TYPICAL SADDLE
ADJACENT TO PARAPET**
1 1/4" = 1'-0"



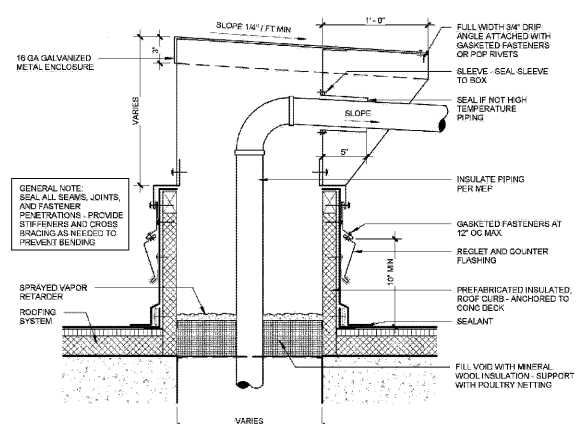
02 VENT PIPE PENETRATION
1 1/2" = 1'-0"



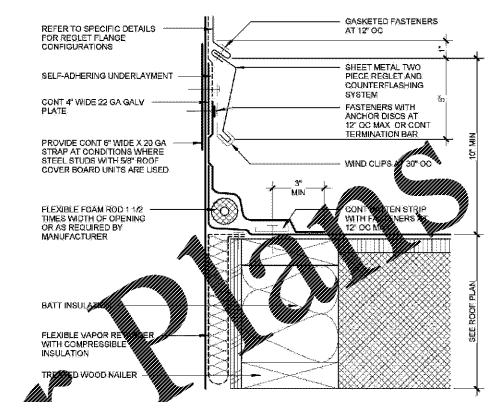
**06 TYPICAL SADDLE
GEOMETRY PLAN**
1 1/4" = 1'-0"



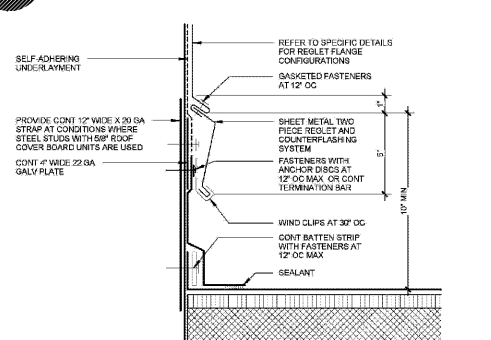
01 EQUIPMENT CURB
1 1/2" = 1'-0"



**12 MULTIPLE PIPE /
CONDUIT PENETRATION BOX**
1 1/2" = 1'-0"



11 REGLET AND COUNTERFLASHING
3" = 1'-0"



10 REGLET AND COUNTERFLASHING
3" = 1'-0"

Order Plans @ WWW.DILINE.COM