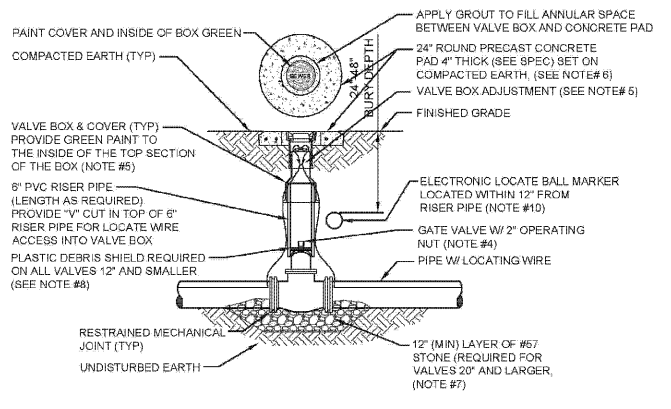
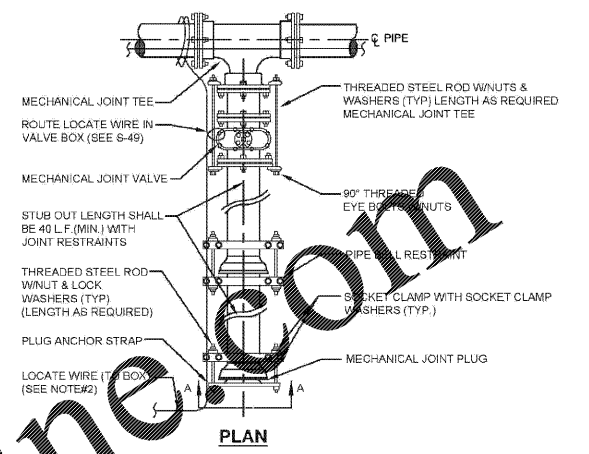


TYPICAL FORCE MAIN CONNECTION TO MANHOLE
 JANUARY 2020 PLATE S-18



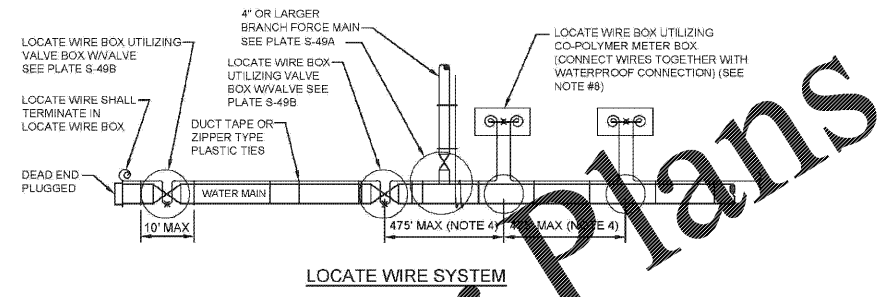
- NOTES:**
- FOR UNPAVED LOCATIONS, A PRECAST CONCRETE VALVE PAD SHALL BE PROVIDED AND INSTALLED FLUSH WITH GRADE. CONCRETE PAD IS NOT REQUIRED FOR VALVE LOCATED IN THE ROADWAY, UNLESS SHOWN OR NOTED OTHERWISE.
 - LOCATING WIRE IS REQUIRED ON ALL PRESSURE PIPING (SEE DETAIL S-49).
 - A "V" CUT SHALL BE CARVED IN THE CURB CLOSEST (ASPHALT IF NO CURB) ADJACENT TO ALL BELOW GRADE VALVES. THE "V" CUT IS TO BE PAINTED GREEN.
 - IN PAVED AREAS, INSTALL VALVE AT A DEPTH TO ALLOW A 12" MIN. DISTANCE BETWEEN THE VALVE COVER PLATE AND THE TOP OF THE VALVE OPERATING NUT. OUTSIDE OF PAVED AREAS (GRASS), INSTALL VALVE AT A DEPTH TO ALLOW 6" MINIMUM DISTANCE BETWEEN THE VALVE COVER AND THE TOP OF THE VALVE OPERATING NUT. OPERATING NUT/STEM EXTENSION SHALL BE PROVIDED (WHERE APPLICABLE) SO THAT THE OPERATING NUT WILL BE NO MORE THAN 30 INCHES BELOW FINISHED GRADE.
 - FOR NEW CONSTRUCTION, THE VALVE BOX SHALL BE ADJUSTED TO MIDRANGE TO ALLOW FOR FUTURE BOX ADJUSTMENTS. ROUTE LOCATE WIRES THRU A "V" CUT IN THE TOP OF THE 6" PVC RISER PIPE FOR LOCATE WIRE ACCESS INTO VALVE BOX. THE LOCATE WIRES WITH A 24" LONG PIG-TAIL AT THE TOP SHALL BE CONNECTED TOGETHER WITH A WIRE NUT.
 - BRASS IDENTIFICATION TAG INDICATING "SEWER", VALVE SIZE, DIRECTION AND TURN TO OPEN & VALVE ADJUSTMENTS. ROUTE LOCATE WIRES THRU A "V" CUT IN THE TOP OF THE 6" PVC RISER PIPE FOR LOCATE WIRE ACCESS INTO VALVE BOX. THE LOCATE WIRES WITH A 24" LONG PIG-TAIL AT THE TOP SHALL BE CONNECTED TOGETHER WITH A WIRE NUT.
 - IN LIEU OF PRECAST CONCRETE PAD, A 6" THICK X 24" (ROUND OR SQUARE) REINFORCED CONCRETE PAD W/ #4 REBAR AROUND PERIMETER, MAY BE USED.
 - GRAVEL SHALL BE PROVIDED UNDER ALL VALVES 30" AND LARGER. MINIMUM VERTICAL LIMIT OF GRAVEL IS 12" UNDER THE VALVE UP TO THE OVERALL HEIGHT OF THE VALVE.
 - FOR VALVES 12 INCH AND SMALLER, PROVIDE A WHITE OR BLACK PLASTIC DEBRIS SHIELD WHICH INSTALLS BELOW THE OPERATING NUT. THIS SHIELD SHALL CENTER ON THE RISER PIPE BOX OVER THE OPERATING NUT AND MINIMIZE INFILTRATION. SHIELD SHALL BE 1/2" THICK, 30" LONG AND 4" WIDE EQUAL.
 - ALL VALVES SHALL BE INSTALLED WITH AN ELECTRONIC LOCATE MARKER. MARKER SHALL BE 4" DIA. COLOR CODED BALL MARKER (SM-1404/R FOR SEWER).

SEWER VALVE DETAIL
 JANUARY 2020 PLATE S-30



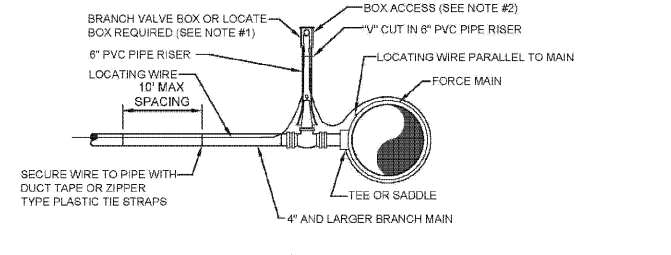
- NOTES:**
- IN LIEU OF BELL/ROD RESTRAINTS, MECHANICAL JOINT RESTRAINTS MAY BE USED.
 - LOCATING WIRE REQUIRED, UTILIZING A LOCATE WIRE BOX INSTALLED AT PLUG LOCATION.
 - NUMBER OF THE RODS REQUIRED IS AS FOLLOWS:
 3" - 6" DIAMETER MAIN - 2 THE RODS REQUIRED PER JOINT (3/4" ROD)
 10" - 12" DIAMETER MAIN - 4 THE RODS REQUIRED PER JOINT (3/4" ROD)
 14" - 18" DIAMETER MAIN - 6 THE RODS REQUIRED PER JOINT (3/4" ROD)
 18" - 20" DIAMETER MAIN - 8 THE RODS REQUIRED PER JOINT (3/4" ROD)
 24" DIAMETER MAIN - 12 THE RODS REQUIRED PER JOINT (3/4" ROD)
 30" - 36" DIAMETER MAIN - 14 THE RODS REQUIRED PER JOINT (1" ROD)
 42" - 48" DIAMETER MAIN - 16 THE RODS REQUIRED PER JOINT (1 1/4" ROD)
 64" DIAMETER MAIN - 18 THE RODS REQUIRED PER JOINT (1 1/4" ROD)
 - THE LOCATION OF THE DEAD END PLUG SHALL NOT BE UNDER PAVEMENT. IF POSSIBLE THE STUB OUT SHALL EXTEND BEYOND THE INTERSECTION AREAS OR ROAD CROSSING BY 10 FEET (MIN.) WHERE POSSIBLE.

PLUGGED DEAD END USING MECHANICAL RESTRAINTS
 JANUARY 2020 PLATE S-44



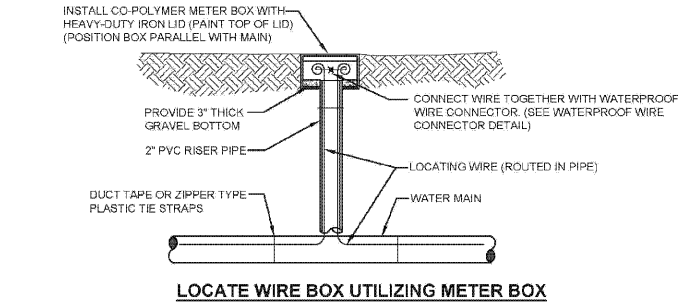
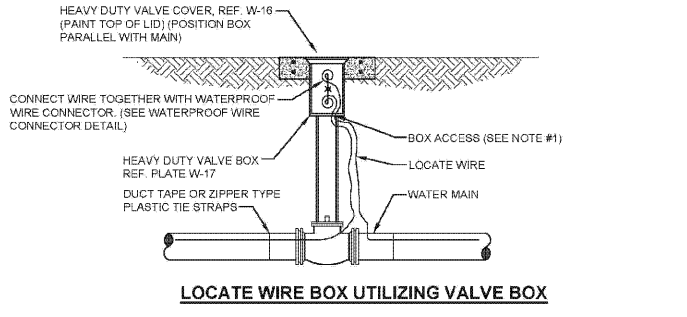
- NOTES:**
- LOCATING WIRE TO BE INSTALLED IN EITHER THE ONE OR ELEVEN O'CLOCK POSITION ON ALL DUCTILE IRON OR PVC (PRESSURE MAINS). LOCATE WIRE SHALL ALSO BE INSTALLED ON ALL (HORIZONTAL) FORCE MAIN PIPING (1,00 OR 11 O'CLOCK POSITION, IF POSSIBLE).
 - SECURE LOCATING WIRE TO PVC FORCE MAIN USING DUCT TAPE OR ZIPPER TYPE PLASTIC TIE STRAPS SPACED AT A MAXIMUM DISTANCE OF TEN (10') AND AT EACH SIDE OF EACH JOINT FITTING.
 - THE ENTIRE LOCATING SYSTEM SHALL BE SUBJECT TO TESTING TO DETERMINE ITS RELIABILITY. WHERE INSTALLED UNDER PAVEMENT AREAS, TESTING SHALL BE DONE PRIOR TO THE PLACEMENT OF PAVEMENT, UNLESS APPROVED OTHERWISE BY JEA.
 - LOCATING WIRE SHALL TERMINATE WITHIN AN ACTIVE VALVE BOX (WITH A VALVE) OR A METER BOX (IF NO VALVE) AT 4/5" INTERVALS (SEE DETAIL S-49). LOCATE WIRE SHALL NOT BE CONNECTED TO ANY BELOW GROUND (OUTSIDE OF A BOX) SHALL BE AVOIDED.
 - LOCATING WIRE SHALL BE GALVANIZED COPPER WIRE WITH 03 INCHES (MINIMUM) HDPE INSULATION THICKNESS, 0.141 INCHES (MINIMUM) O.D. RATED BRASS PAD (CLASS 150 RATED DIRECT BURIAL), GREEN COLOR. FOR HDD INSTALLATIONS, THE LOCATE WIRE SHALL BE COPPER CODED WIRE AS SPECIFIED IN SPEC. SECTION 750.
 - ✕ INDICATES THAT THE WIRES ARE CONNECTED TOGETHER WITH WATERPROOF CONNECTION (SEE DETAIL W-49B)
 - ⊗ INDICATES WIRE PIG-TAIL (24" LONG)
 - AN "LV" CUT SHALL BE CARVED IN THE CONCRETE CURB AND PAINTED AT ALL LOCATE WIRE BOXES.
 - FOUR LANES OF TRAFFIC (HAVING TWO LANES OF TRAFFIC IN EACH DIRECTION) OR GREATER THE LOCATE WIRE AND VALVE BOX SHALL BE OFF-SET TO THE RIGHT-OF-WAY.

LOCATE WIRE CONSTRUCTION FOR FORCE MAINS
 JANUARY 2020 PLATE S-49



- NOTE:**
- NOTE THAT THE BRANCH WIRE IS NOT CONNECTED TO THE MAIN WIRE.
 - LOCATE WIRE SHALL ENTER THE VALVE BOX THROUGH A "V" CUT IN THE 6" PVC RISER PIPE SECTION (SEE S-30).
 - LOCATE WIRE BOX SHALL BE INSTALLED OUTSIDE OF SIDEWALKS, DRIVEWAYS AND PAVEMENT.
 - ⊗ INDICATES A WIRE PIG-TAIL (4" LONG)

LOCATE WIRE FOR BRANCH MAIN
 JANUARY 2020 PLATE S-49A



LOCATE WIRE BOX
 JANUARY 2020 PLATE S-49B

C:\JEA_Std\43259803 - Modified\Ozbona_Cub\CAD\17JanSheets\06-9_JEA_Std\DATA3 SANITARY SEWER DETAILS.dwg - 3832
 Wed Apr 15, 2020 - 3832
 Current Layout Top in 3D

REVISIONS		DESIGN ENGINEER	
NO.	DATE	BY	DATE
1			
2			
3			
4			
5			
6			
7			
8			
9			
10			

DESIGNER:	PROJ. NO.:
DRAWN BY:	DATE:
CHECKED BY:	SCALE:
DATE:	AS NOTED

NO. SHEETS	1
SHEET NO.	1
DRAWING NO.	S-STD-1



JEA STANDARD
 SANITARY SEWER DETAILS