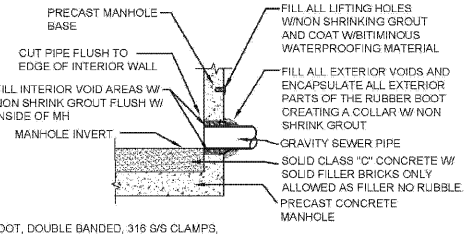


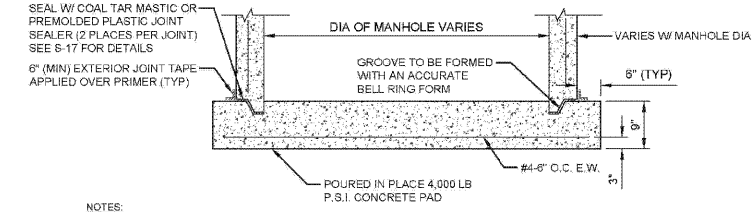
**PVC SAND SLEEVE**  
(FOR EXISTING AND NEW MH CONSTRUCTION)



**NOTES:**  
RUBBER BOOT, DOUBLE BANDED, 316 S/S CLAMPS, MEETING THE ASTM C923 STANDARD. Ker-N-Seal® I EX SERIES CONNECTOR WITH DOUBLE STAINLESS STEEL BANDS OR EQUAL

**RUBBER BOOT**

(FOR NEW MH CONSTRUCTION ONLY, MAXIMUM DEPTH 15FT)

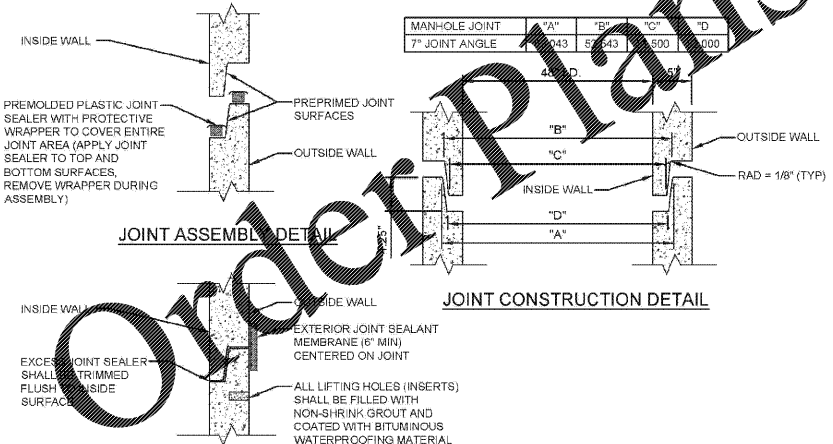


**NOTES:**  
THE USE OF THE POURED IN PLACE MANHOLE BOTTOM SHALL BE MINIMIZED AND SHALL BE SPECIFICALLY APPROVED BY JEA PRIOR TO CONSTRUCTION

**MANHOLE BOTTOM**

**MANHOLE PIPE CONNECTION DETAIL**

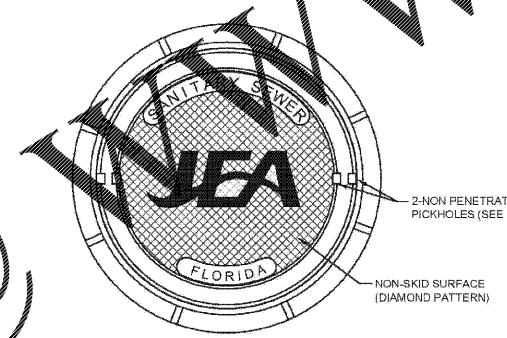
JANUARY 2020 PLATE S-15



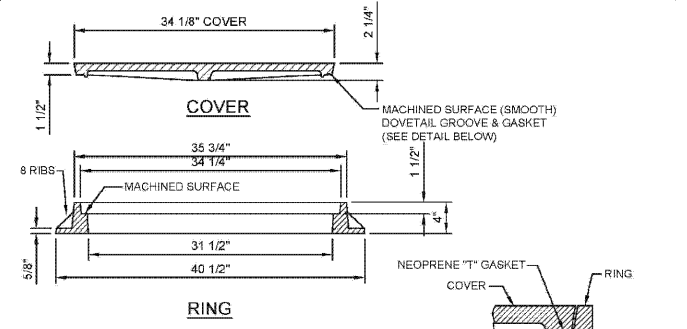
**COMPLETED JOINT DETAIL**

**PRECAST SEWER MANHOLE JOINT DETAIL**

JANUARY 2020 PLATE S-17



**PICKHOLE DETAIL**

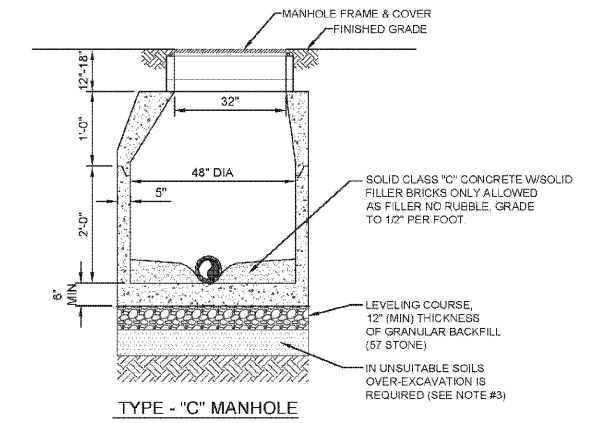


**GROOVE & GASKET DETAIL**

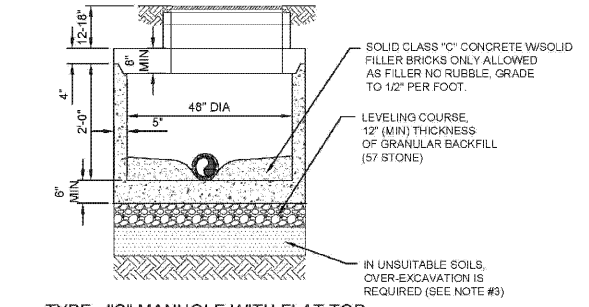
- NOTES:**
- MATERIAL: ASTM A-48 CLASS 35B GRAY IRON.
  - RING WEIGHT 230 LBS. APPROX.
  - COVER WEIGHT 230 LBS. APPROX.
  - ALL DIMENSIONS ARE SHOWN IN INCHES.
  - FOR MANHOLES WHICH WILL BE MAINTAINED BY JEA (INCLUDING UTILITY DEDICATION PROJECTS), THE COVER SHALL INCLUDE THE "JEA" LOGO AND A NEOPRENE GASKET.
  - FOR MANHOLES WHICH WILL BE MAINTAINED BY PARTIES OTHER THAN JEA (SUCH AS PRIVATE SEWER COLLECTION SYSTEMS, PRIVATE (FORCE MAIN) PUMP OUT BOX AND SYSTEMS NOT MAINTAINED BY JEA), THE COVER SHALL INCLUDE "SANITARY SEWER" GENERIC LETTERING (NO "JEA" LOGO OR NEOPRENE GASKET).

**SANITARY SEWER MANHOLE FRAME AND COVER**

JANUARY 2020 PLATE S-1



**TYPE - "C" MANHOLE**



**TYPE - "C" MANHOLE WITH FLAT TOP**

**SECTION VIEWS**

- NOTES:**
- PRECAST MANHOLE SECTIONS TO BE MANUFACTURED IN ACCORDANCE WITH THE LATEST EDITIONS OF A.S.T.M. C-478 WITH 4000 LB. CONCRETE. TYPE II CEMENT. ALL LIFTING HOLES AND OUTSIDE INSERTS SHALL BE FILLED WITH NON-SHRINK GROUT AND COATED WITH BITUMINOUS WATERPROOFING MATERIAL.
  - THE INTERIOR AND EXTERIOR OF MANHOLE AND INTERIOR OF ADJUSTMENT RINGS SHALL BE GIVEN TWO COAT OF BITUMINOUS WATERPROOFING MATERIAL.
  - IN SILTS, CLAY OR HIGHLY ORGANIC SOILS (FINE-GRAINED SOILS INCLUDING SOIL GROUPS M, CL, OL, MH, CH, OH AND PT) THE SOILS SHALL BE OVER-EXCAVATED AN ADDITIONAL 2" (AT A MIN.) AND BACKFILLED WITH AASHTO CLASS A-3 SOIL (COMPACTED TO 98%, ASTM D1557) OR OVER-EXCAVATED AN ADDITIONAL 12" (AT A MIN.) AND BACKFILL WITH GRANULAR BACKFILL (57 STONE).

**SANITARY SEWER TYPE "C" MANHOLE  
8"-21" SEWERS**

JANUARY 2020 PLATE S-6

K:\JEA\_Civil\453596303 - Manhole - C:\Users\cubana\OneDrive\Documents\9 - JEA STANDARD SANITARY SEWER DETAILS.dwg  
 Current Layout Top - 02  
 Resc Apr 15, 2020 - 08:31

Order Plans @

WWW.LDILine.com

NO. SHEETS		PROJ. NO.		DESIGNER		REVISIONS	
SHEET NO.	DRAWING NO.	DATE	BY	DATE	NO.	DATE	BY
1	S-STD-1	JANUARY 2020			1		
					2		
					3		
					4		
					5		
					6		



JEA STANDARD  
SANITARY SEWER DETAILS

PROJ. NO. JANUARY 2020  
DATE: AS NOTED  
SCALE: AS NOTED