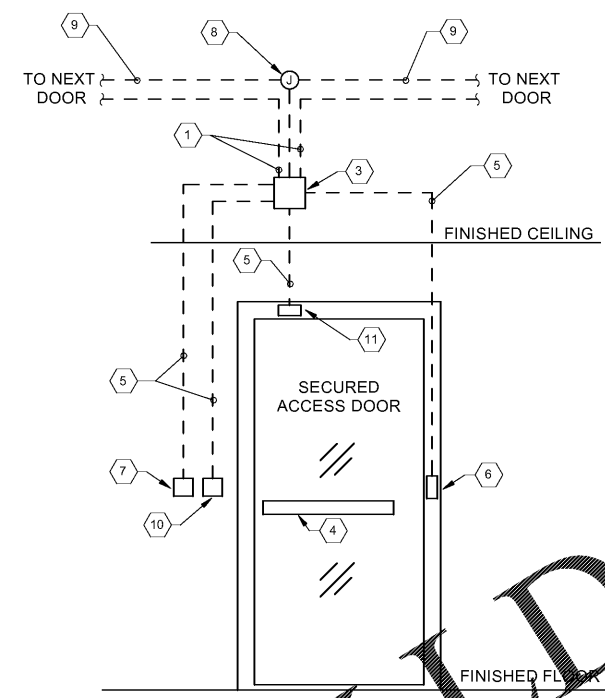
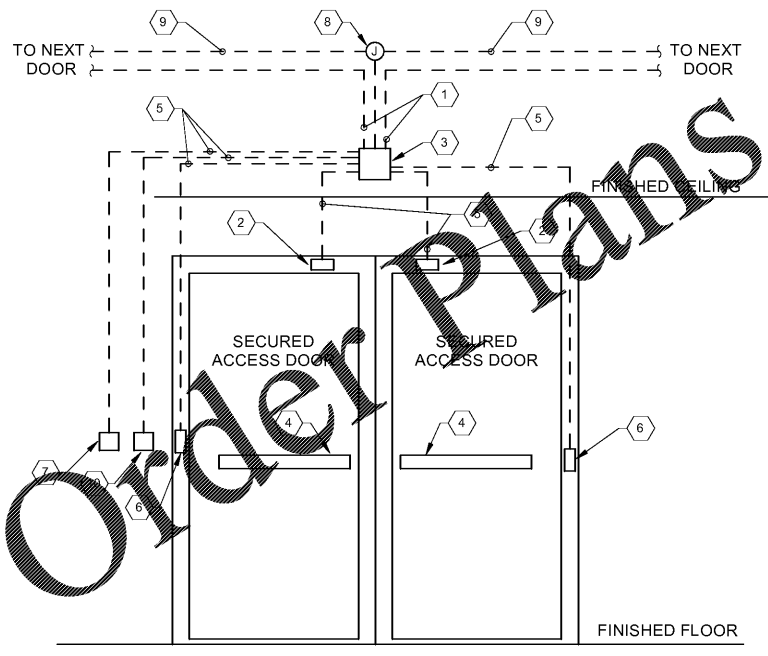


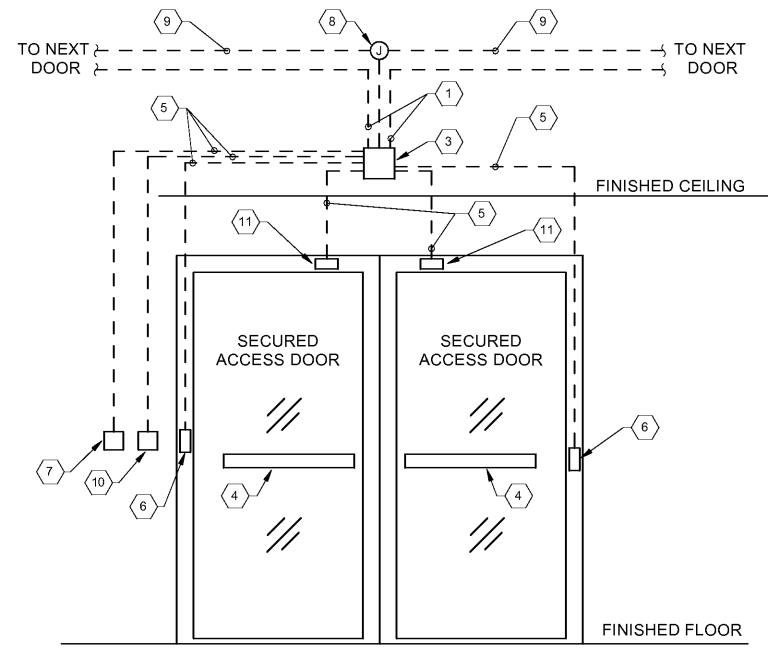
C1 SECURITY DETAIL - SINGLE DOOR
SCALE: N.T.S.



C3 SECUTIRY DETAIL - GLASS SINGLE DOOR
SCALE: N.T.S.



A1 SECURITY DETAIL - DOUBLE DOOR
SCALE: N.T.S.



A3 SECURITY DETAIL - GLASS DOUBLE DOOR
SCALE: N.T.S.

SHEET NOTES:

1. REFER TO T-001 FOR TELECOMMUNICATIONS GENERAL NOTES, ABBREVIATIONS & LEGEND.

KEYNOTES:

1. 1 1/4" CONDUIT FOR ACS CABLING, SEE T-601.
2. HIGH SECURITY DOOR CONTACT SWITCH, MOUNT ON SECURE SIDE OF THE DOOR.
3. 4" X 4" JUNCTION BOX, MOUNT ABOVE SUSPENDED CEILING, OR AT 9' - 0" AFF WHERE ROOM DOES NOT HAVE A SUSPENDED CEILING.
4. ELECTRONIC DOOR HARDWARE, SEE ARCHITECTURAL DRAWINGS AND INDOOR HARDWARE SPECIFICATIONS.
5. 3/4" CONDUIT FOR ACS CABLING.
6. CONCEALED ELECTRIC POWER TRANSFER DEVICE.
7. CARD READER, MOUNT ON NON-SECURE SIDE OF THE DOOR.
8. POWER SUPPLY J-BOX.
2#10 & 1#10G - 3/4"C (120 VAC)
10. "REQUEST TO EXIT" PUSHBUTTON. MOUNT ON SECURE SIDE OF THE DOOR.
11. MAGLOCK, MOUNT ON SECURE SIDE OF THE DOOR.



MARK	DESCRIPTION	DATE

DESIGNED BY: DSS	DESIGNED BY: DSS
DRAWN BY: TCS	DRAWN BY: TCS
CHECKED BY: TEH	CHECKED BY: TEH
SUBMITTED BY: ERA	SUBMITTED BY: ERA
ISSUED FOR CONSTRUCTION: DC-MM-YYYY	ISSUED FOR CONSTRUCTION: DC-MM-YYYY

POND
 NORFOLK SOUTHERN CORP
 1200 PEACHTREE STREET, NE
 ATLANTA, GEORGIA 30309
 404-961-1000
 3000 Peachtree Lane, NE, Atlanta, GA 30305
 Phone: (478) 335-7740
 Job No. 1185547

CORPORATE AIRCRAFT HANGAR FOR NORFOLK SOUTHERN CORPORATION
 FULTON COUNTY AIRPORT - BROWN FIELD (FTY)
 382 AVIATION CIRCLE, SUITE 200
 ATLANTA, GEORGIA 30338

TELECOMMUNICATIONS DETAILS

SHEET ID
T-501

7/10/2020 11:56:32 AM BIM 360//1190557 - Pegasus/1190557_Pegasus_NS_MEP_FP_v19.rvt