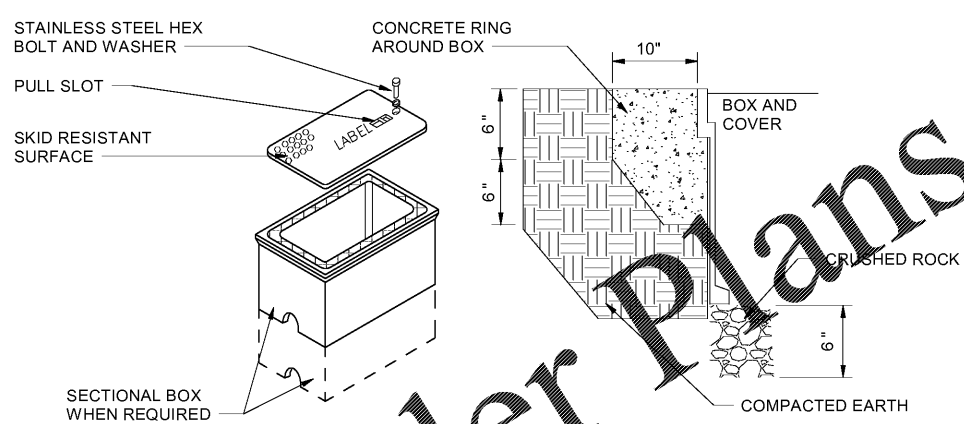


**SHEET NOTES:**  
 1. REFER TO E-001 & E-002 FOR ELECTRICAL GENERAL NOTES, ABBREVIATIONS & LEGEND.

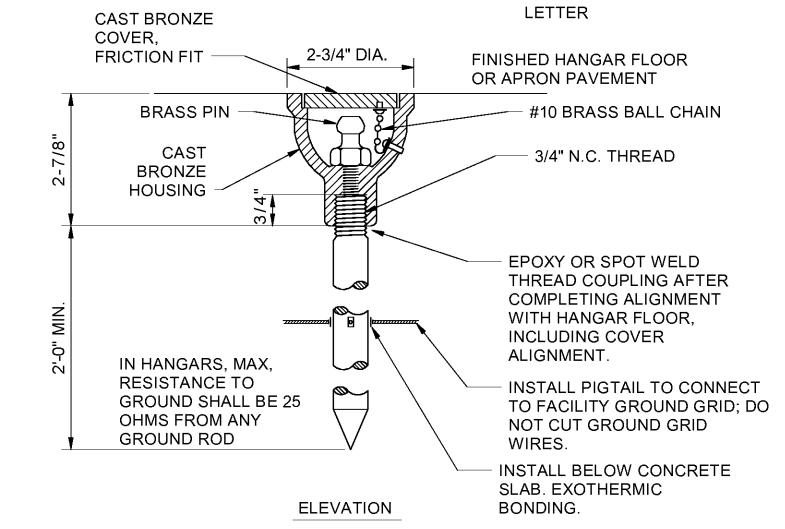
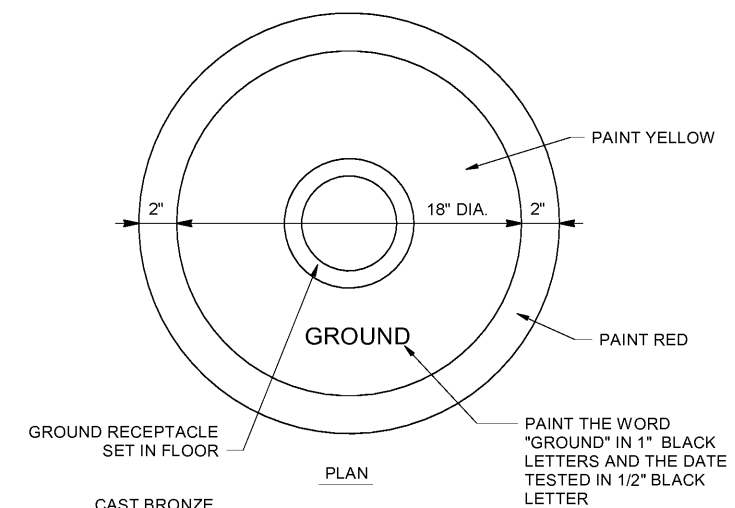
- NOTES:**
- EACH DOOR LEAF WILL BE POWERED WITH ITS OWN SET OF OPERATORS AND CONTROLS.
  - EACH RUN OF TROLLEY WILL HAVE A 35A SERVICE FEEDING IT. THE POWER SUPPLY WILL BE 208V/3P.
  - PROVIDE WATER TIGHT CONNECTIONS FOR ALL CONDUIT INSTALLED TO CONTROL PANELS AND PUSH-BUTTON STATIONS.

**C1 HANGAR DOOR CONTROLLERS DETAIL**  
 SCALE: N.T.S.

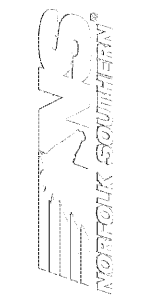


- HANDHOLE REQUIREMENT**
- HOUSING SHALL BE A POLYMER CONCRETE REINFORCED WITH A HEAVY WEAVE FIBERGLASS REINFORCING WITH COMPRESSIVE STRENGTH OF NO LESS THAN 10,000 PSI.
  - COVER SHALL WITHSTAND A SERVICE LOAD OF NO LESS THAN 5,000 LBS OVER A 10" x 10" AREA.
  - PROVIDE STAINLESS STEEL BOLTS AND INSERTS.
  - PROVIDE WITH (2) 2 1/2" MOUSEHOLES.
  - PROVIDE LABEL "ELECTRICAL" FOR POWER HANDHOLES OR "COMMUNICATIONS" FOR COMMUNICATIONS HANDHOLES, OR AS INDICATED.

**A1 HANDHOLE DETAIL**  
 SCALE: N.T.S.



**A4 STATIC GROUNDING RECEPTACLE DETAIL**  
 SCALE: N.T.S.



DATE	DESCRIPTION	MARK

DESIGNED BY:	ISSUED FOR CONSTRUCTION:
DRAWN BY:	DATE:
CHECKED BY:	

**POND**  
 NORFOLK SOUTHERN CORP.  
 1200 PEACHTREE STREET, NE  
 ATLANTA, GEORGIA 30309  
 404.876.1000  
 3000 Peachtree Lane, Suite 200  
 Phone: (478) 335-7740  
 Fax: (478) 335-7740  
 Job No. 1185547

**ELECTRICAL DETAILS**  
 SHEET ID  
**E-504**

7/10/2020 11:56:06 AM BIM 360//1190557 - Pegasus/1190557\_Pegasus\_NS\_MEP\_FP\_v19.rvt