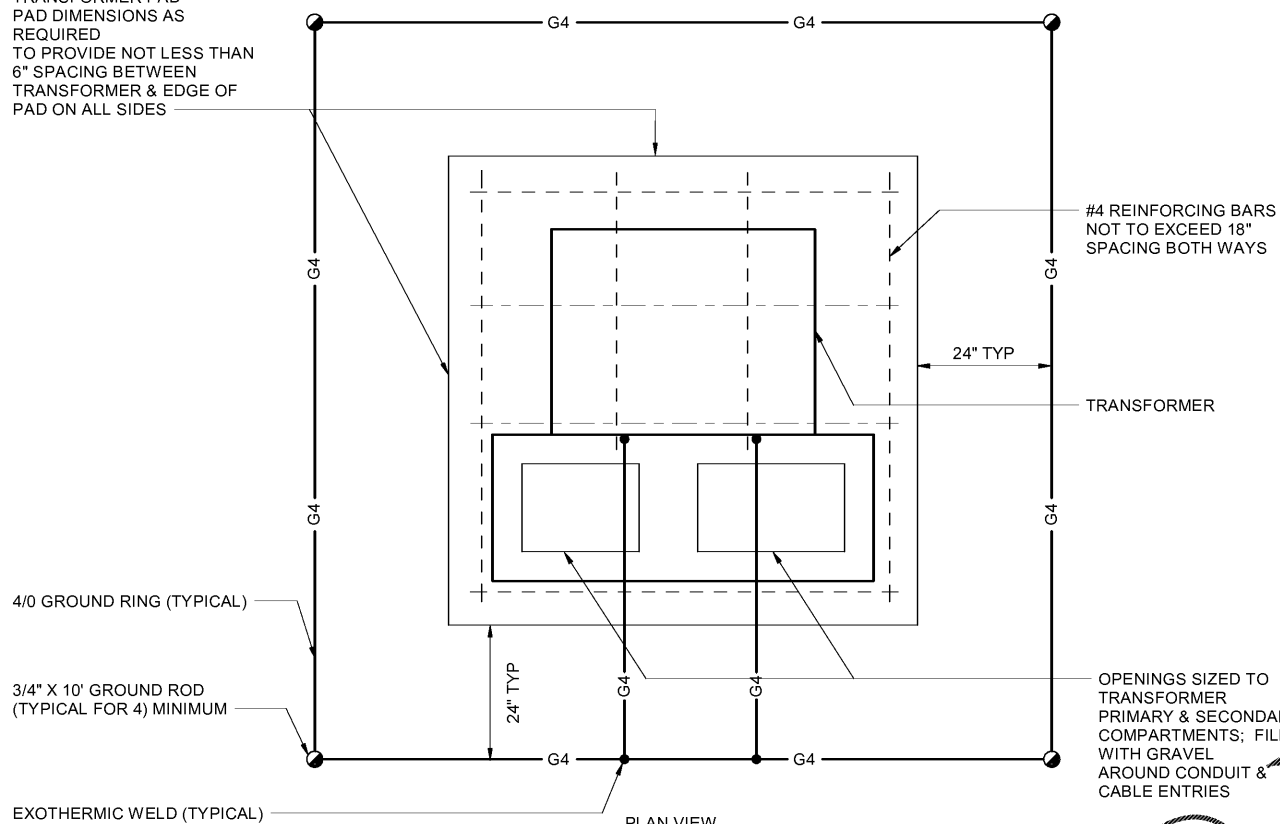


TRANSFORMER PAD  
PAD DIMENSIONS AS  
REQUIRED  
TO PROVIDE NOT LESS THAN  
6" SPACING BETWEEN  
TRANSFORMER & EDGE OF  
PAD ON ALL SIDES



PLAN VIEW

EXOTHERMIC WELD (TYPICAL)

3/4" X 10" GROUND ROD  
(TYPICAL FOR 4) MINIMUM

4/0 GROUND RING (TYPICAL)

#4 REINFORCING BARS  
NOT TO EXCEED 18"  
SPACING BOTH WAYS

24" TYP

TRANSFORMER

OPENINGS SIZED TO  
TRANSFORMER  
PRIMARY & SECONDARY  
COMPARTMENTS; FILL  
WITH GRAVEL  
AROUND CONDUIT &  
CABLE ENTRIES

REINFORCING BARS

PRIMARY COMPARTMENT  
(CONNECTIONS BY GA POWER)

FOUR HOLE TERMINAL AS  
REQUIRED (TYP. FOR 4)

WITHOUT DEMAND METER  
(CT'S & WIRING NOT SHOWN)

FACTORY INSTALLED STRAP

4/0 BARE COPPER GROUNDING  
CONDUCTOR

GROUND BUS OR PAD: ONE IN  
HV & ONE IN LV COMPARTMENT

8" THICK CONCRETE PAD  
3/4" CHAMFER ALL TOP EDGES

GRADE

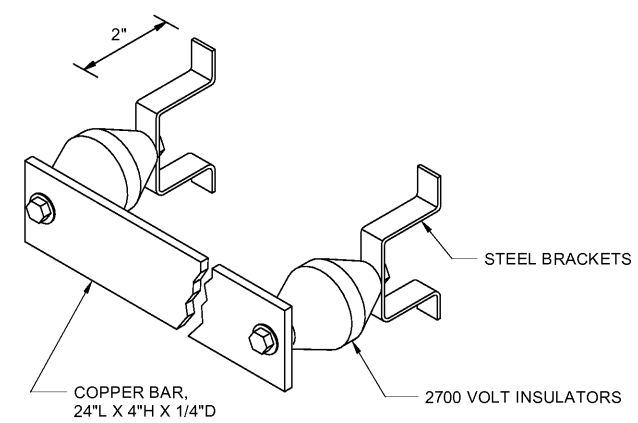
EXOTHERMIC CONNECTION  
(TYPICAL)

PVC CONDUIT SECONDARY  
NUMBER AND SIZE AS  
INDICATED

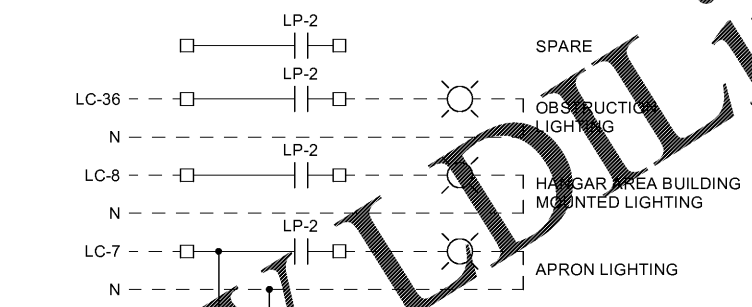
RGS TO PVC COUPLING (TYP.)

MASTIC WRAPPED RGS

FRONT VIEW

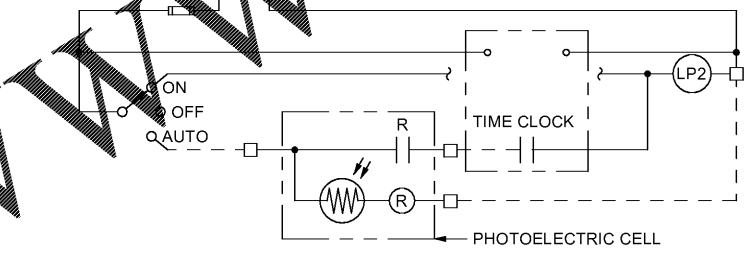


C3 ELECTRICAL GROUND BAR DETAIL  
SCALE: N.T.S.



LIGHTING CONTACTOR SCHEDULE 'LP-2'

RELA	DESCRIPTION	PANEL/CIRCUIT
	APRON LIGHTING	LC-7
2	HANGAR AREA BUILDING MOUNTED LIGHTING	LC-8
3	OBSTRUCTION LIGHTING	LC-36
4	SPARE	
5	SPARE	
6	SPARE	
7	SPARE	
8	SPARE	



LIGHTING CONTACTOR SCHEDULE 'LP-1'

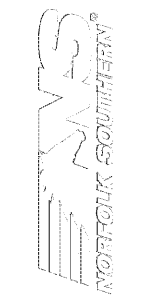
RELAY	DESCRIPTION	PANEL/CIRCUIT
1	OFFICE AREA BUILDING MOUNTED LIGHTING	LA1-4
2	PARKING LOT LIGHTING	LA1-3
3	CANOPY LIGHTING	LA1-5
4	SPARE	
5	SPARE	
6	SPARE	
7	SPARE	
8	SPARE	

- NOTES:
1. MOUNT ON/OFF/AUTO SWITCH IN COVER OF ENCLOSURE 'LP-1' AND 'LP-2'.
  2. MOUNT TIME CLOCK IN LIGHTING CONTROL ENCLOSURE 'LP-1' AND 'LP-2'.

B3 CONTROL DIAGRAM - SITE LIGHTING  
SCALE: N.T.S.

A1 PAD MOUNTED TRANSFORMER W/GROUNDING  
SCALE: N.T.S.

SHEET NOTES:  
1. REFER TO E-001 & E-002 FOR ELECTRICAL GENERAL NOTES,  
ABBREVIATIONS & LEGEND.



MARK	DESCRIPTION	DATE

DESIGNED BY: [blank]  
DRAWN BY: [blank]  
CHECKED BY: [blank]  
SUBMITTED BY: [blank]  
ISSUED FOR CONSTRUCTION: [blank]

DATE: [blank]

MARK: [blank]

DESCRIPTION: [blank]

ORDER PLANS @ WWW.LDLINE.COM

GENERAL CONTRACTOR: NORFOLK SOUTHERN CORPORATION  
1200 PEACHTREE STREET, NE  
ATLANTA, GEORGIA 30305

PROJECT: HANGAR FOR NORFOLK SOUTHERN CORPORATION  
FULTON COUNTY AIRPORT - BROWN FIELD (FTY)  
3827 AVIATION CIRCLE, SUITE 200  
ATLANTA, GEORGIA 30336

DATE: 11/19/2020

ELECTRICAL DETAILS

SHEET ID  
E-502

7/10/2020 11:56:04 AM BIM 360//1190557 - Pegasus/1190557\_Pegasus\_NS\_MEP\_FP\_v19.rvt