



DDC INPUT OUTPUT SUMMARY - EXHAUST FAN			OUTPUTS		INPUTS												SOFTWARE					REMARKS																
EQUIPMENT	POINT NAME	POINT DESCRIPTION	SYSTEM GRAPHIC DISPLAY	DIGITAL	ANALOG	DIGITAL			ANALOG									SCADA ALARM	RUNTIME TOTALIZATION	RESERVABLE	SCHEDULE	CALCULATED POINT																
				START/STOP	ENABLE/DISABLE	SETPOINT ADJUST POSITION	VALVE COMMAND	SPEED CONTROL	CURRENT SENSING RELAY	DIFFERENTIAL PRESSURE SWITCH	START/STOP	FLOW SWITCH	OPEN/CLOSE	ALARM	LEVEL SWITCH	PULSE CONTACT	TEMPERATURE							ELECTRICAL DEMAND (kW)	AMPERAGE	VFD FREQUENCY (%)	PRESSURE	CARBON DIOXIDE	POSITION	FLOW	ENTHALPY	HUMIDITY (%)	ANALOG VARIABLE	BINARY VARIABLE				
EF																																						
	EF-n-SS	EXHAUST FAN START/ STOP		X																																		
	EF-n-S	EXHAUST FAN STATUS	X																																			ALARM IF STATUS ≠ COMMAND
	EF-n-T	EXHAUST FAN ZONE TEMPERATURE	X											X																							ALARM PER SEQUENCE	
	EF-n-ES	EXHAUST FAN EMERGENCY SHUTDOWN	X	X																																	ALARM PER SEQUENCE	

SEQUENCE OF OPERATION - EXHAUST FAN (MECH. ROOM)

EQUIPMENT

THE AIRSIDE SYSTEM CONSISTS OF THE FOLLOWING EQUIPMENT:

EXHAUST FAN, EF-1 AND EF-2

RUN CONDITIONS

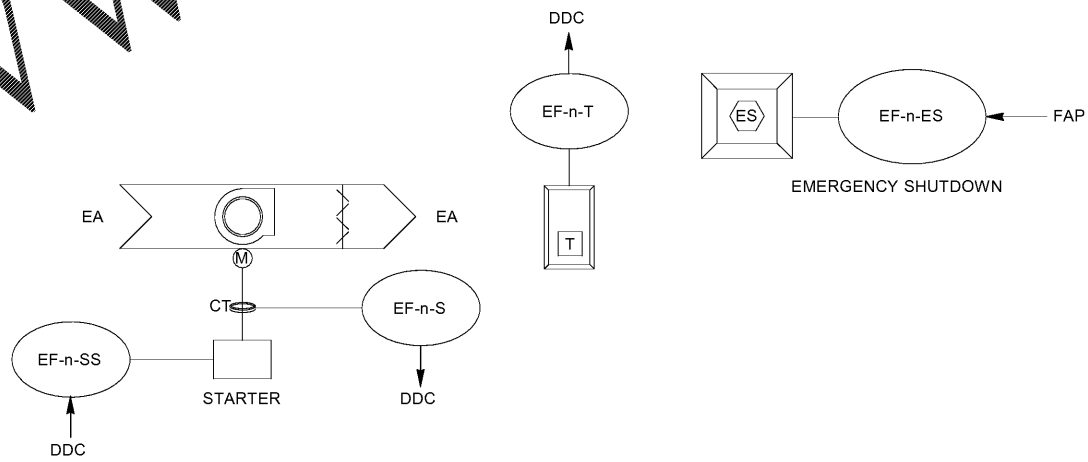
THE EXHAUST FAN SHALL RUN WHEN COMMANDED BY A THERMOSTAT TO MAINTAIN A COOLING SETPOINT IN THE SPACE. INITIAL SETPOINT SHALL BE 100° (ADJ.) OR AS DEFINED BY THE USER.

THERMOSTAT TO BE LOCATED IN HANGAR AS SHOWN ON PLANS. EXHAUST FANS ARE NOT ASSOCIATED WITH THE VRF CONTROL SYSTEM.

ALARMS AND SHUTDOWNS

EMERGENCY SHUTDOWN: THE FAN SHALL SHUT DOWN AND GENERATE AN ALARM UPON RECEIVING AN EMERGENCY SHUTDOWN SIGNAL.

EXHAUST FAN FAILURE: IF THE EXHAUST FAN STATUS DOES NOT EQUAL THE COMMAND.



A1 EXHAUST FAN CONTROLS SCHEMATIC
SCALE: N.T.S.

DESIGNED BY: _____
 DRAWN BY: _____
 CHECKED BY: _____
 SUBMITTED BY: _____
 ISSUED FOR CONSTRUCTION: _____
 13-JUL-2020

NORFOLK SOUTHERN CORPORATION
 1200 PEACHTREE STREET, NE
 ATLANTA, GEORGIA 30309
POND
 3602 Peachtree Lane, Suite 200
 Atlanta, Georgia 30326
 Phone: (478) 335-7740
 Fax: (478) 1158537

CORPORATE AIRCRAFT HANGAR FOR NORFOLK SOUTHERN CORPORATION
 FULTON COUNTY AIRPORT - BROWN FIELD (FT1)
 3827 AVIATION CIRCLE, SUITE 200
 ATLANTA, GEORGIA 30336
MECHANICAL CONTROLS

SHEET ID
M-801