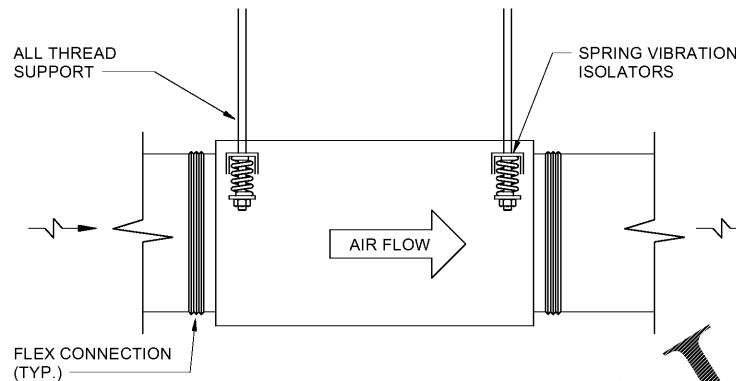


NOTES:

1. NECK SIZE OF DIFFUSER SHALL MATCH FLEX DUCT SIZE UNLESS NOTED ON PLANS.
2. COORDINATE DIFFUSER FRAME TYPE WITH CEILING.
3. FLEXIBLE RUN-OUT DUCT SHALL NOT EXCEED 5' IN LENGTH AND ANGLE OF OFFSET SHALL NOT EXCEED 45 DEGREES.
4. PROVIDE OPPOSED BLADE DAMPERS AT DIFFUSER WHERE DAMPER IN BRANCH DUCT IS NOT SHOWN.

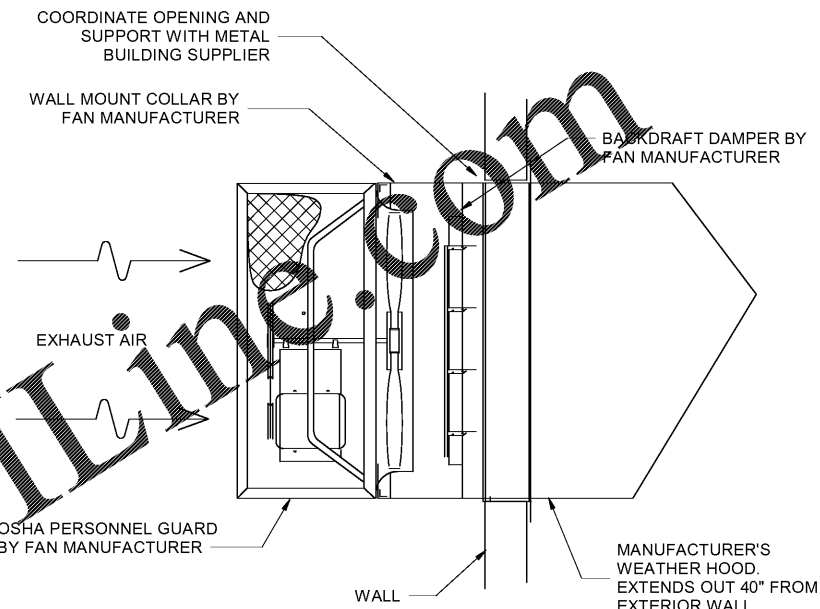
C1 FLEX DUCT CONNECTOR DETAIL

SCALE: N.T.S.



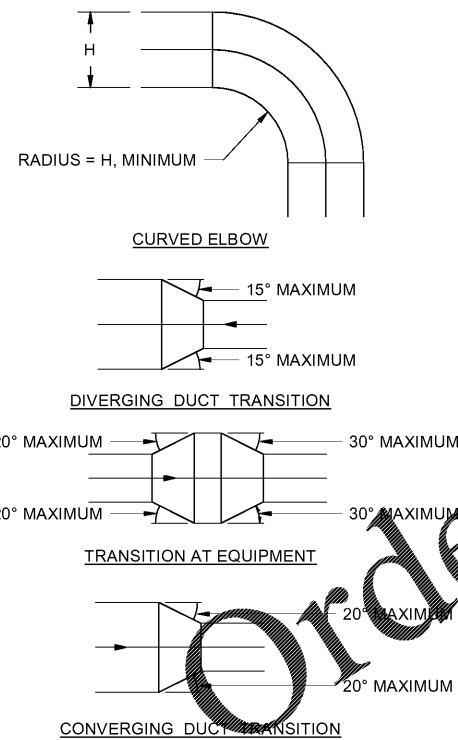
C2 INLINE EXHAUST FAN DETAIL

SCALE: N.T.S.



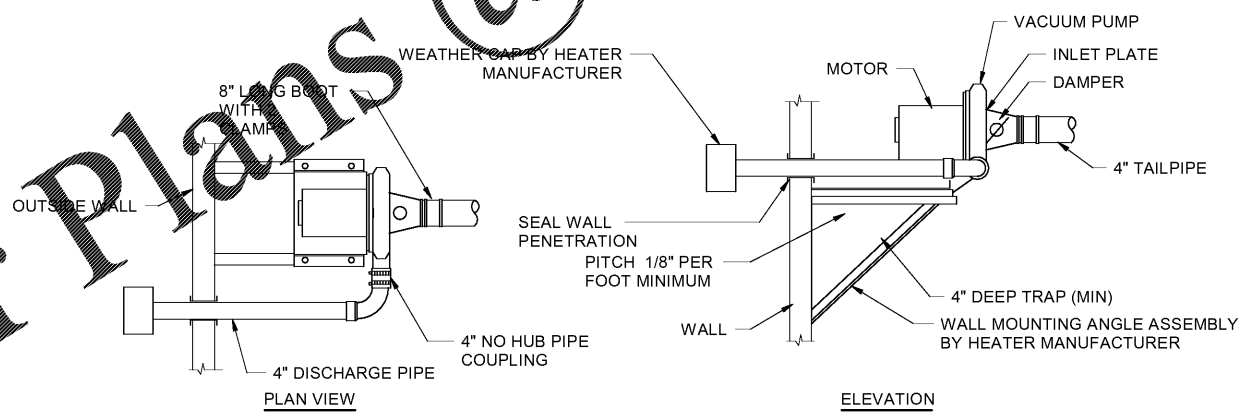
C3 SIDEWALL EXHAUST FAN

SCALE: N.T.S.



A1 TYPICAL DUCT TRANSITION DETAIL

SCALE: N.T.S.

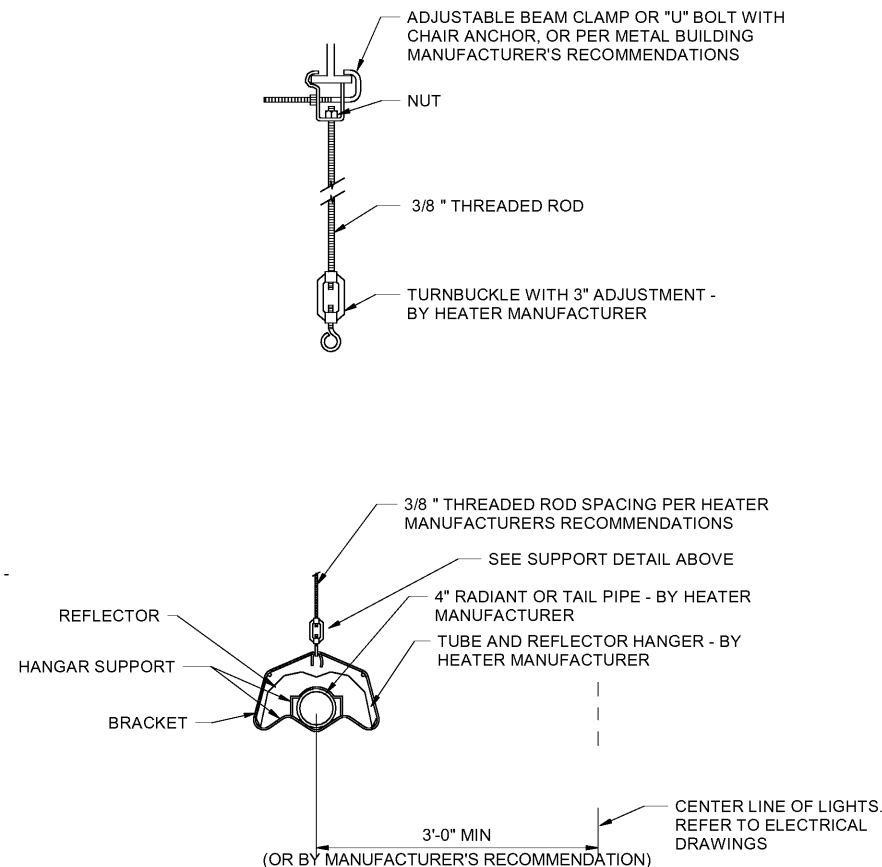


DETAIL NOTES:

1. SEE ARCHITECTURAL DETAILS FOR WALL PENETRATIONS.
2. COORDINATE INSTALLATION AND MOUNTING REQUIREMENTS WITH THE METAL BUILDING MANUFACTURER.

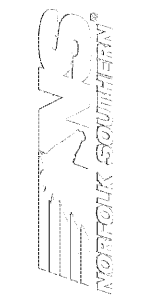
A2 RADIANT HEATER, VACUUM PUMP MOUNTING-WALL

SCALE: N.T.S.



A4 INFRARED HEATER MOUNTING DETAIL

SCALE: N.T.S.



MARK	DESCRIPTION	DATE

DESIGNED BY:	JAN
DRAWN BY:	JAN
CHECKED BY:	JAN
ISSUED FOR CONSTRUCTION:	13-JUL-2020

NORFOLK SOUTHERN CORP  
 1200 PEACHTREE STREET, NE  
 ATLANTA, GEORGIA 30309  
 NORFOLK SOUTHERN  
 3000 Peachtree Lane, Atlanta, GA 30305  
 Phone (404) 335-7740  
 Job No. 1185547

CORPORATE ARCHITECT HANGAR FOR NORFOLK SOUTHERN CORPORATION  
 FULTON COUNTY AIRPORT - BROWN FIELD (F1)  
 3827 AVIATION CIRCLE, SUITE 200  
 ATLANTA, GEORGIA 30338

MECHANICAL DETAILS

SHEET ID

M-502

7/10/2020 11:39:46 AM BIM 360//1180557 - Pegasus/1180557\_Pegasus\_NS\_MEP\_FP\_v19.rvt