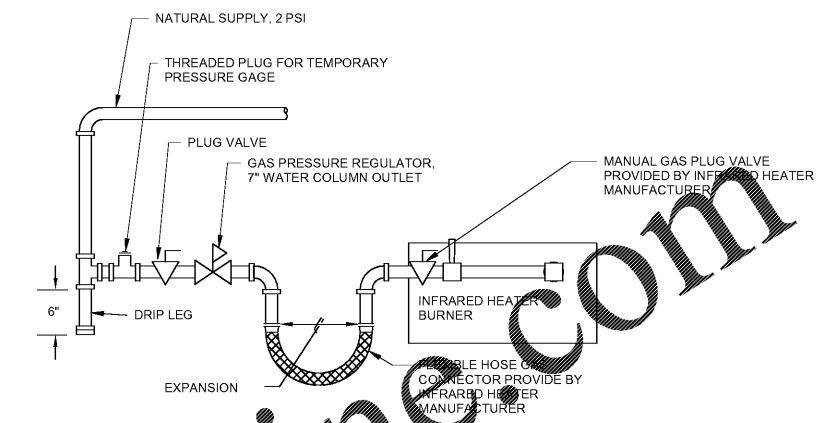
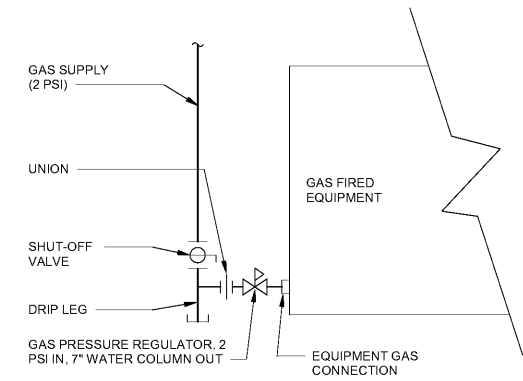


C2 GAS METER DETAIL
SCALE: N.T.S.

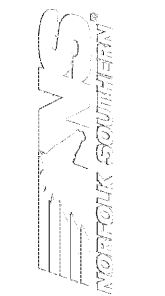


C4 INFRARED HEATER BURNER CONNECTION DETAIL
SCALE: N.T.S.



B4 GAS EQUIPMENT CONNECTION DETAIL
SCALE: N.T.S.

Order Plans @ www.LDilling.com



MARK	DESCRIPTION	DATE

DESIGNED BY: DRO	CHECKED BY: JML	ISSUED FOR CONSTRUCTION: DRO
DRAWN BY: DRO	DATE: JUL	DATE: 13-JUL-2020
<small> OWNER'S REPRESENTATIVE: PROJECT NO./NAME: ADDRESS OR LOCATION: TYPE OF CONSTRUCTION: *SEE AREA FOR ALL REVISIONS OR PROVIDER WITH THE HANGER AND THE OFFICE </small>		
<small> NORFOLK SOUTHERN CORP. 1200 PEACHTREE STREET, NE ATLANTA, GEORGIA 30309 POND 3000 Peachtree Lane, Suite 200 Atlanta, Georgia 30328 Phone (770) 335-7740 Job No. 1185547 </small>		

CORPORATE AIRCRAFT HANGAR FOR NORFOLK SOUTHERN CORPORATION
 FULTON COUNTY AIRPORT - BROWN FIELD (FTY)
 362 AVIATION CIRCLE, SUITE 200
 ATLANTA, GEORGIA 30336

PLUMBING DETAILS

SHEET ID
P-502