

SHEET NOTES:

- 1. REFER TO P-001 FOR PLUMBING GENERAL NOTES, ABBREVIATIONS, AND LEGENDS.

KEYNOTES:

- 1. CONNECT DISHWASHER DRAIN LINE TO SINK TAILPIECE.
- 2. PROVIDE VALVED HW CONNECTION TO DISHWASHER FROM SINK HW SUPPLY.
- 3. BALL VALVE IN CW DROP AT 5'-0" AT
- 4. 3/4" NG DN TO UNIT HEATER WITH VALVE, DRIP LEG AND PRESSURE REGULATOR, 30 CFH. SEE DETAIL B4/P-502.



MARK	DESCRIPTION	DATE

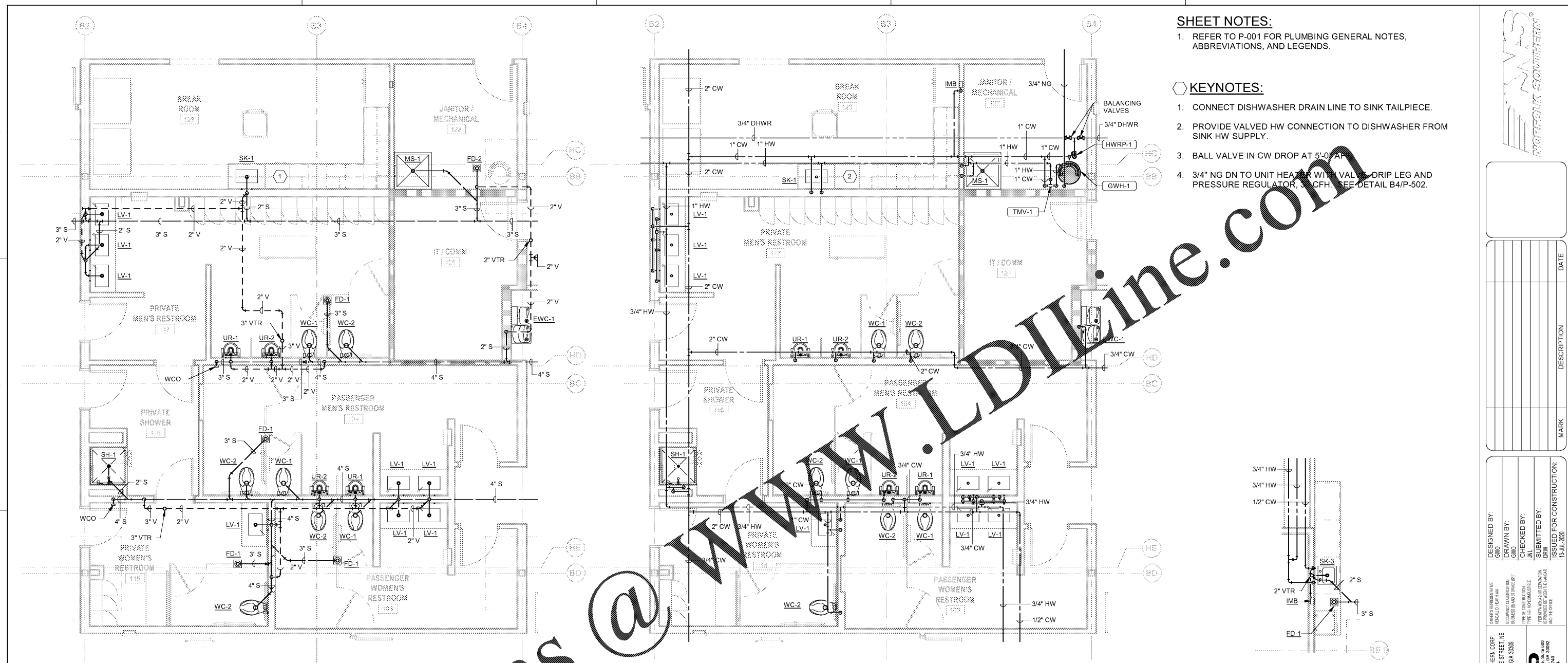
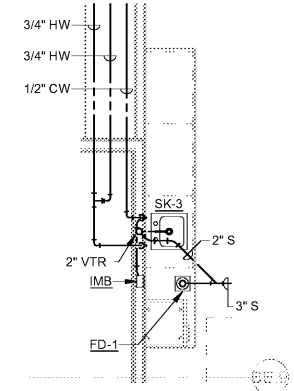
DESIGNED BY: POND & COMPANY	DRAWN BY: GORDON	CHECKED BY: JULIAN	SUBMITTED BY: DRW	ISSUED FOR CONSTRUCTION: 15-JUL-2020
--------------------------------	---------------------	-----------------------	----------------------	---

NORFOLK SOUTHERN CORP
1200 PEACHTREE STREET, NE
ATLANTA, GEORGIA 30309
POND & COMPANY
3000 Peachtree Lane, Suite 200
Atlanta, Georgia 30328
Phone (404) 335-7740
Fax (404) 1195557
JOB NO. 1195557

CORPORATE AIRCRAFT HANGAR FOR NORFOLK SOUTHERN CORPORATION
FULTON COUNTY AIRPORT - BROWN FIELD (FTY)
3625 AVIATION CIRCLE, SUITE 200
ATLANTA, GEORGIA 30338

ENLARGED PLUMBING PLANS

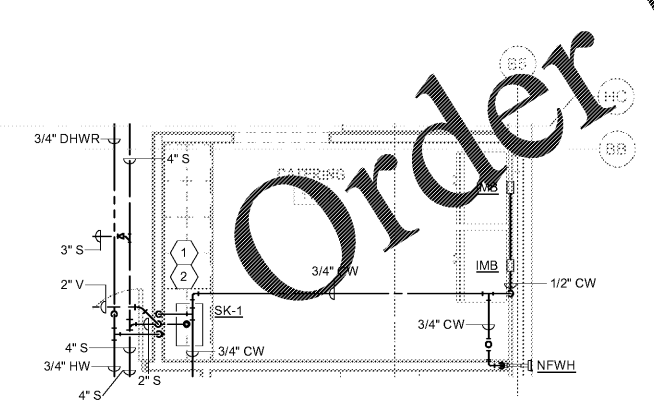
SHEET ID
P-401



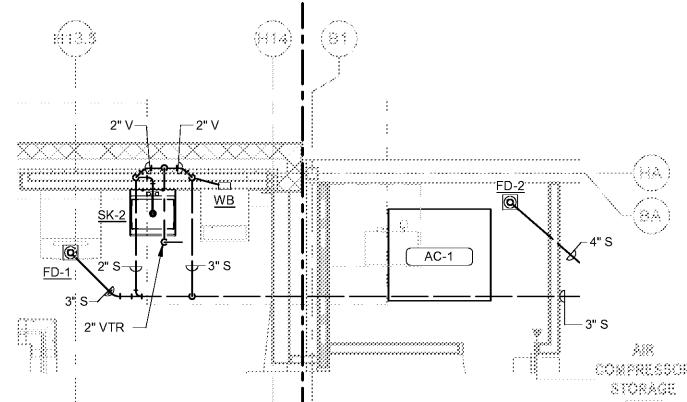
B1 ENLARGED SANITARY PLAN 1
SCALE: 1/4" = 1'-0"

B3 ENLARGED SUPPLY PLAN 1
SCALE: 1/4" = 1'-0"

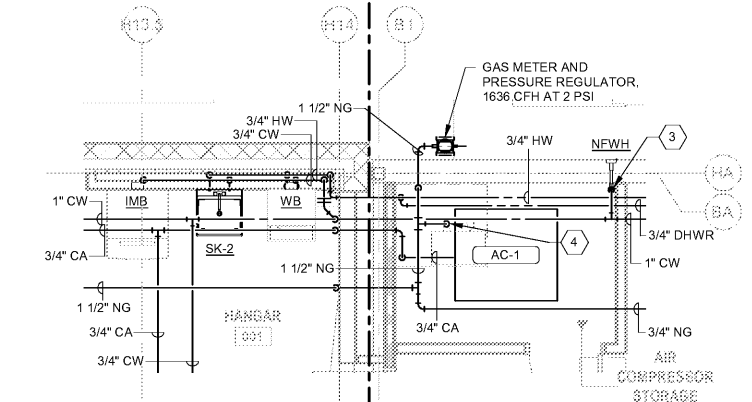
B4 ENLARGED PLUMBING PLAN 2
SCALE: 1/4" = 1'-0"



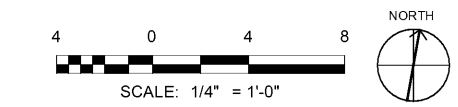
A1 ENLARGED PLUMBING PLAN 1
SCALE: 1/4" = 1'-0"



A2 ENLARGED SANITARY PLAN 2
SCALE: 1/4" = 1'-0"



A4 ENLARGED SUPPLY PLAN 2
SCALE: 1/4" = 1'-0"



7/9/2020 5:41:57 PM BIM 360//1190557 - Pegasus/1190557_Pegasus_NS_MEP_FP_v19.rvt