

1

2

3

4

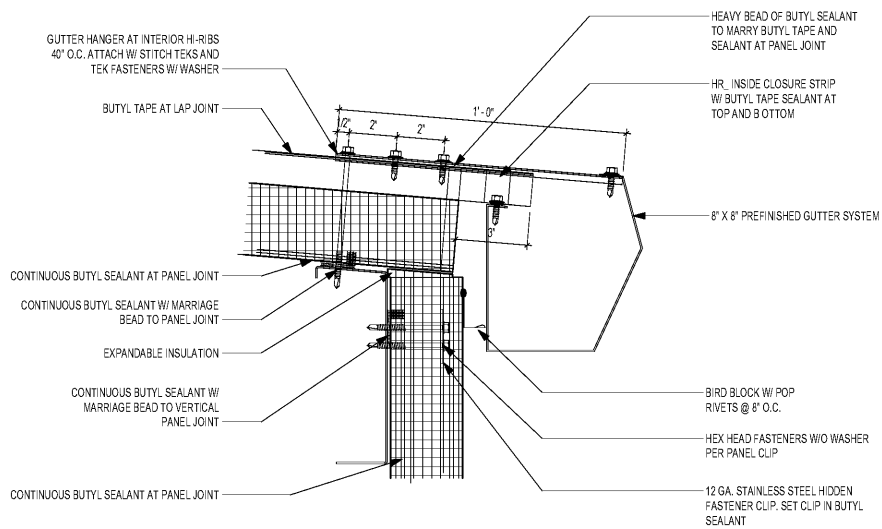
5

D

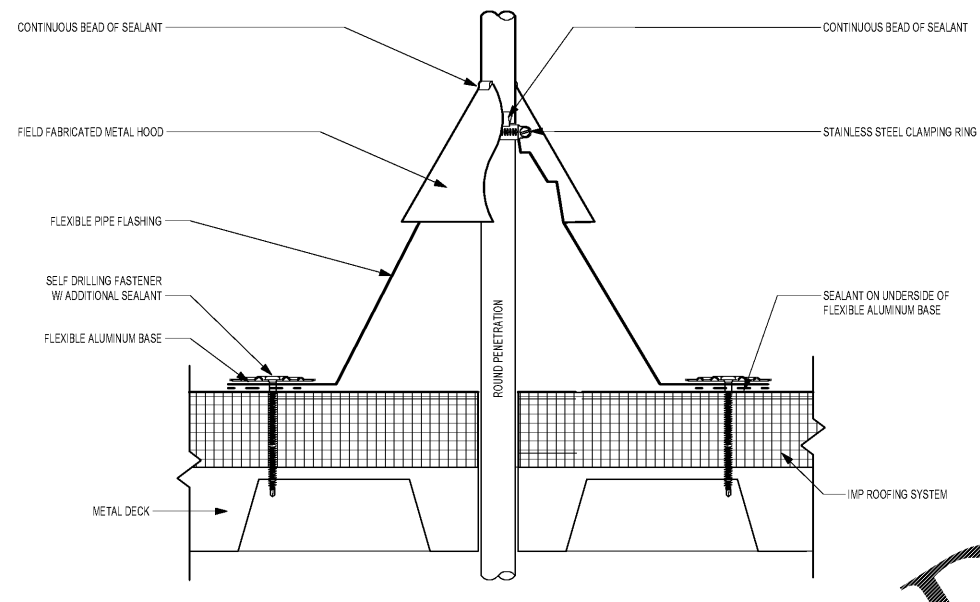
C

B

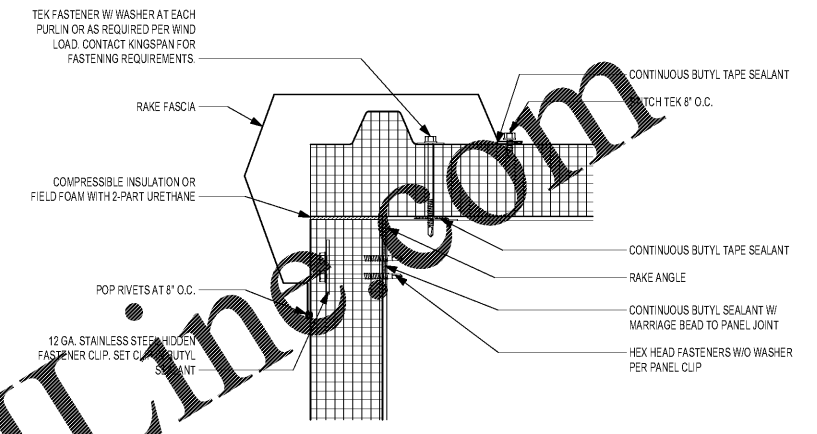
A



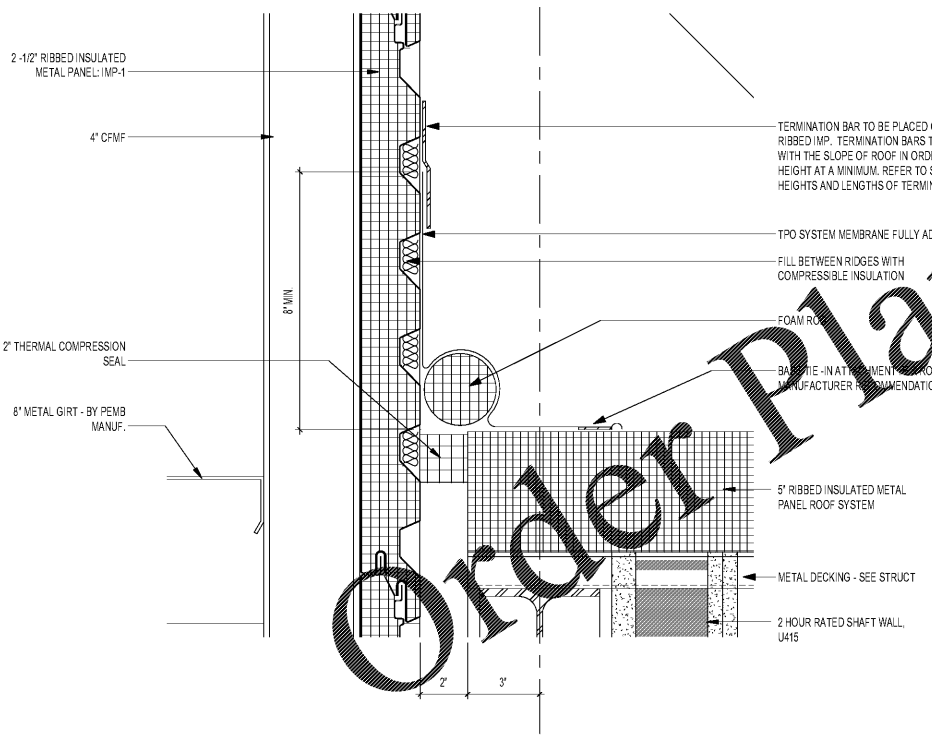
C1 GUTTER DETAIL
SCALE: 3" = 1'-0"



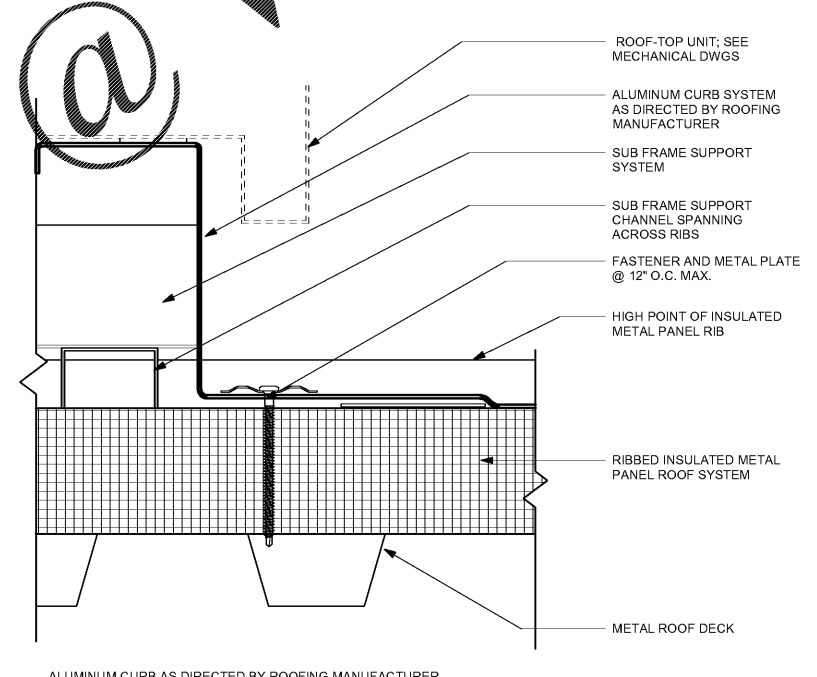
C3 ROOF PIPE PENETRATION DETAIL
SCALE: 6" = 1'-0"



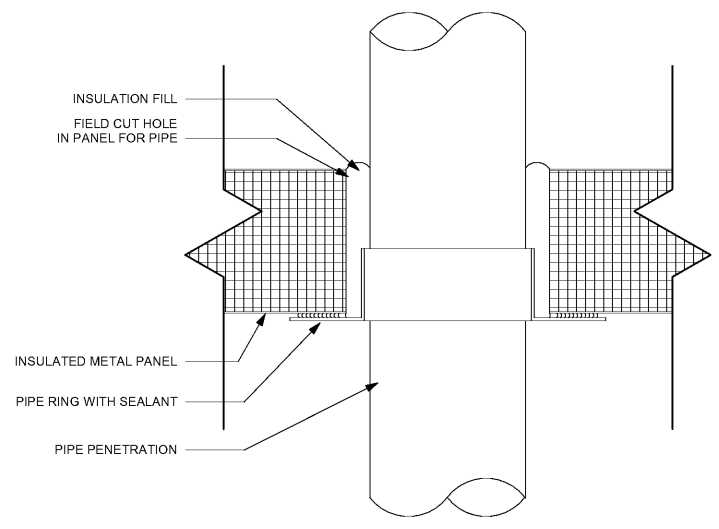
C5 SECTION DETAIL - RAKE COPING
SCALE: 3" = 1'-0"



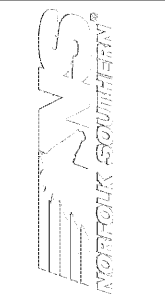
A1 ROOF EXPANSION JOINT DETAIL
SCALE: 3" = 1'-0"



A3 ROOF CURB DETAIL
SCALE: 6" = 1'-0"



A5 PLAN DETAIL - SIDE WALL PENETRATION
SCALE: 6" = 1'-0"



MARK	DESCRIPTION	DATE

DESIGNED BY: E. Ames	CHECKED BY: K. Webb-Teke	ISSUED FOR CONSTRUCTION: DC-MM-YYYY
PROJECT NO. 190557	DATE OF CONSTRUCTION:	DATE OF ISSUE:
BUSINESS ADDRESS: 1200 PEACHTREE STREET, NE ATLANTA, GEORGIA 30309	PHONE NO. 404-529-1230	FAX NO. 404-529-1230
POND 3000 Peachtree Lane, Suite 200 Atlanta, Georgia 30309 Phone (404) 529-1230 Fax (404) 529-1230 Job No. 1190557		

CORPORATE AIRCRAFT HANGAR FOR NORFOLK SOUTHERN CORPORATION
FULTON COUNTY AIRPORT - BROWN FIELD (F71)
3827 AVIATION CIRCLE, SUITE 200
ATLANTA, GEORGIA 30336

TYPICAL ROOF & PENETRATION DETAILS

SHEET ID
A-571

7/10/2020 3:04:32 AM BIM 360//1190557 - Pegasus/1190557_Pegasus_NS_Arch_CENTRAL_v19_R3.rvt