

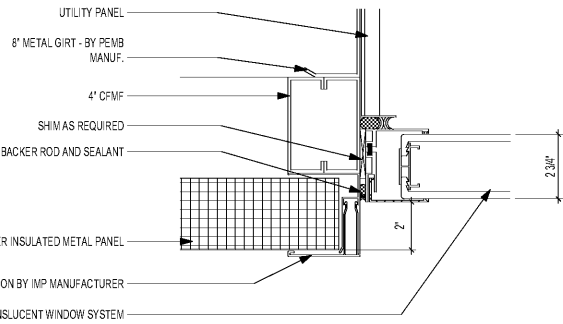
1

2

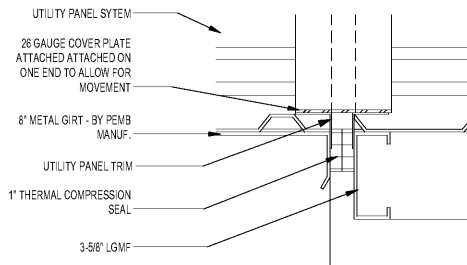
3

4

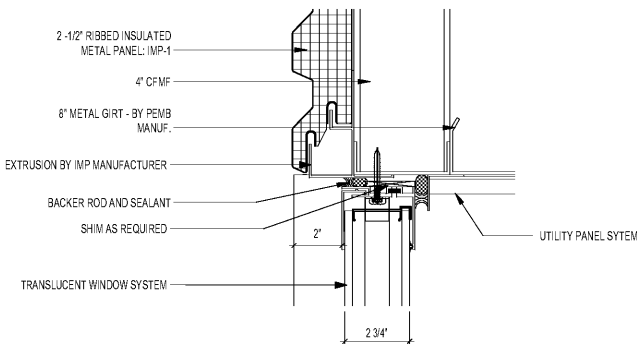
5



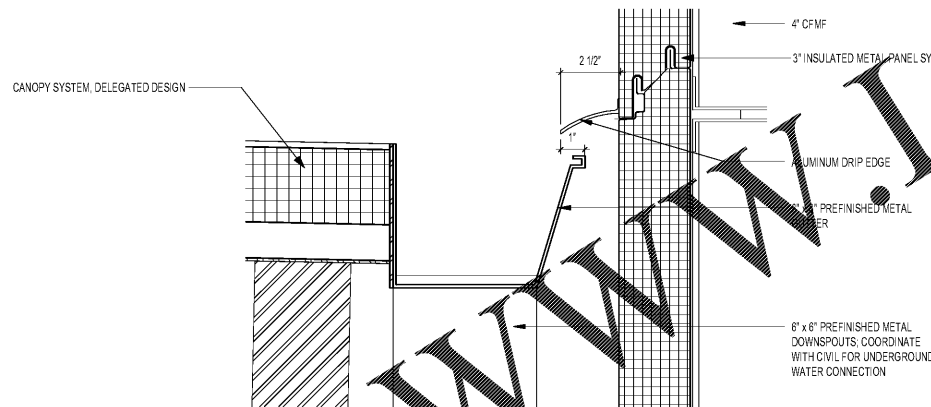
D1 **DETAIL - TRANSLUCENT WINDOW JAMB**
SCALE: 3" = 1'-0"



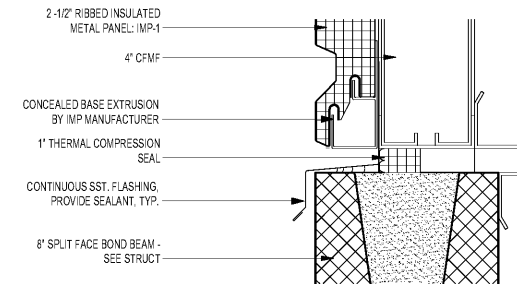
D3 **DETAIL - COVER PLATE OVER EXPANSION JOINT, TYP.**
SCALE: 3" = 1'-0"



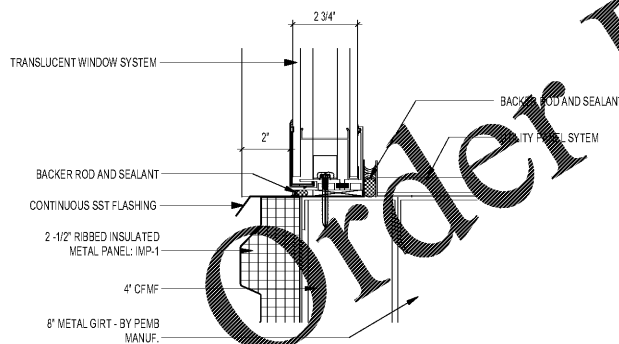
B1 **DETAIL - TRANSLUCENT WINDOW HEAD**
SCALE: 3" = 1'-0"



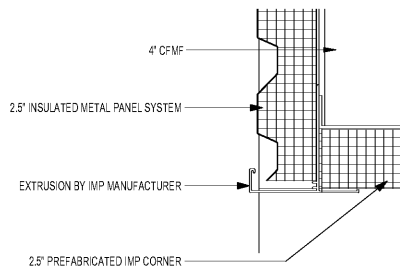
B3 **DETAIL - DRIP EDGE AT GUTTER**
SCALE: 3" = 1'-0"



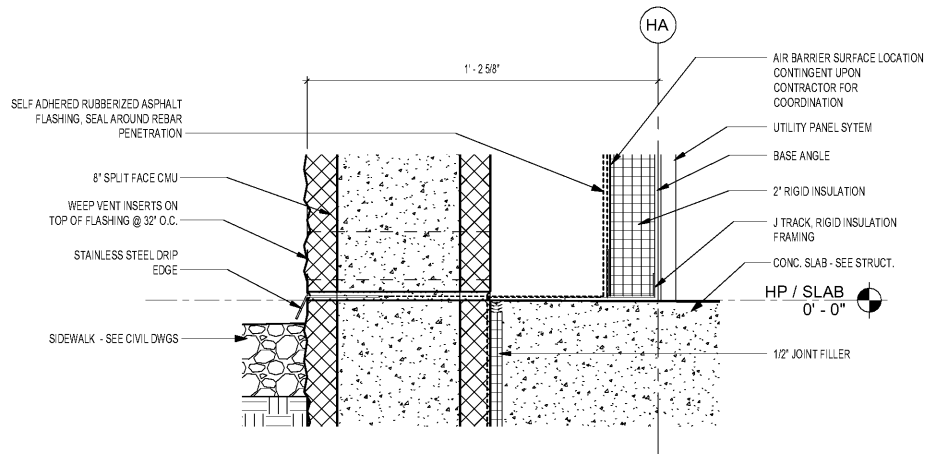
B5 **DETAIL - THERMAL EXPANSION JOINT AT BOND BEAM**
SCALE: 3" = 1'-0"



A1 **DETAIL - TRANSLUCENT WINDOW SILL**
SCALE: 3" = 1'-0"



A3 **DETAIL - SOFFIT RETURN AT HANGAR OPENING**
SCALE: 3" = 1'-0"



A5 **DETAIL - SPLIT FACE AT EDGE OF SLAB**
SCALE: 3" = 1'-0"



MARK	DESCRIPTION	DATE

DESIGNED BY: A. Ames	CHECKED BY: K. Webb-Teare	ISSUED FOR CONSTRUCTION: DC-MM-MYYT
PROJECT NO.:	DATE:	

POND
3000 Peachtree Lake, Atlanta, Georgia 30305
Phone (678) 336-7740
Fax (678) 336-7740
Logo No. 11886347

NORFOLK SOUTHERN CORP
1200 PEACHTREE STREET, NE
ATLANTA, GEORGIA 30309

CORPORATE ARCHITECT HANGAR FOR NORFOLK SOUTHERN CORPORATION
FULTON COUNTY AIRPORT - BROWN FIELD (F17)
3825 AVIATION CIRCLE, SUITE 200
ATLANTA, GEORGIA 30336

SHEET ID
A-521