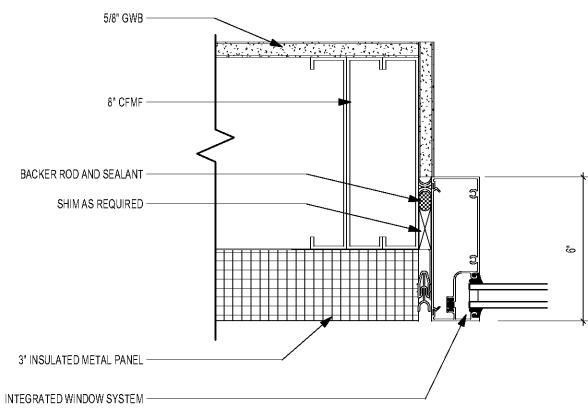
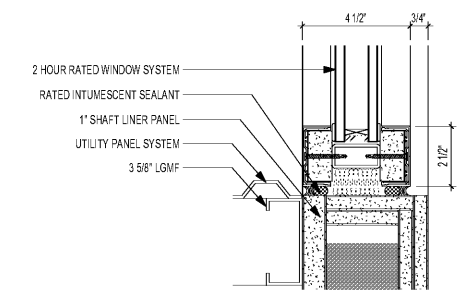


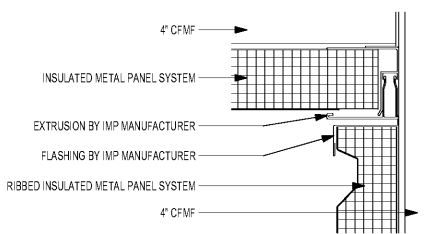
D1 DETAIL - SOFFIT RETURN  
SCALE: 3" = 1'-0"



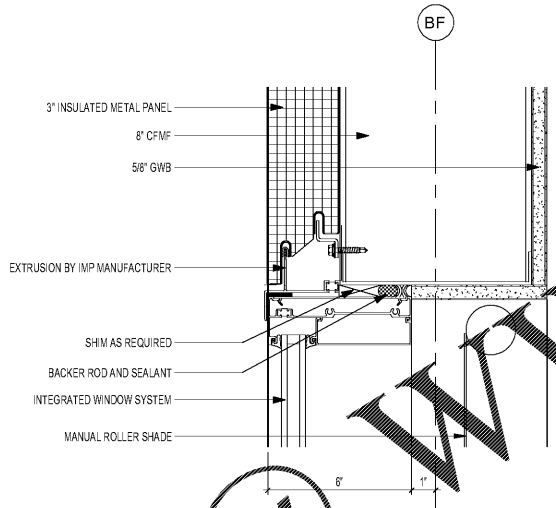
D3 DETAIL - OFFICE WINDOW JAMB  
SCALE: 3" = 1'-0"



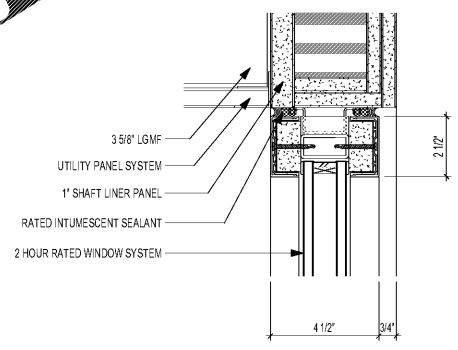
D5 DETAIL - RATED WINDOW JAMB  
SCALE: 3" = 1'-0"



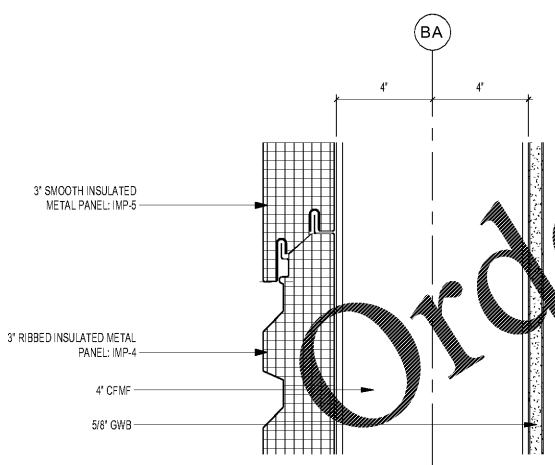
B1 DETAIL - SOFFIT RETURN AT WALL  
SCALE: 3" = 1'-0"



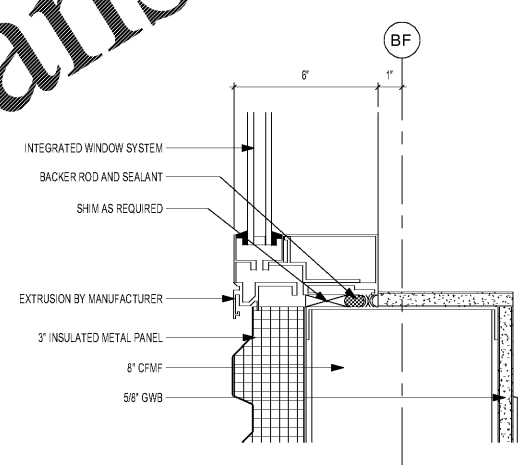
B3 DETAIL - OFFICE WINDOW HEAD  
SCALE: 3" = 1'-0"



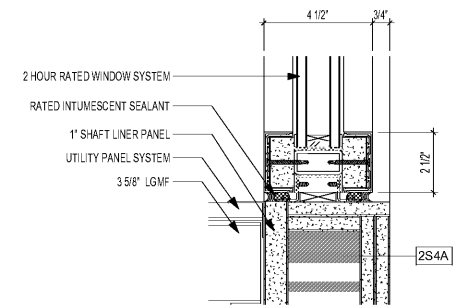
B5 DETAIL - RATED WINDOW HEAD  
SCALE: 3" = 1'-0"



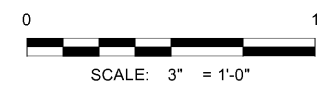
A1 DETAIL - RIBBED TO SMOOTH IMP  
SCALE: 3" = 1'-0"



A3 DETAIL OFFICE WINDOW SILL  
SCALE: 3" = 1'-0"

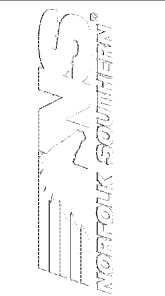


A5 DETAIL - RATED WINDOW SILL  
SCALE: 3" = 1'-0"



WWW.LDILine.com

Order Plans



MARK	DESCRIPTION	DATE

DESIGNED BY:  
ARCHITECT:  
CHECKED BY:  
SUBMITTED BY:  
ISSUED FOR CONSTRUCTION:  
DATE: MM/YY

NORFOLK SOUTHERN  
CORPORATE HEADQUARTERS  
1200 PEACHTREE STREET, NE  
ATLANTA, GEORGIA 30309

FOND  
3002 Peachtree Lane, NE  
Atlanta, Georgia 30305  
Phone (404) 338-7740  
Fax (404) 338-7740  
Job No. 1185517

CORPORATE ARCHITECT HANGAR FOR NORFOLK SOUTHERN CORPORATION  
FULTON COUNTY AIRPORT - BROWN FIELD (FTY)  
3825 AVIATION CIRCLE, SUITE 200  
ATLANTA, GEORGIA 30339

ENLARGED DETAILS

SHEET ID  
**A-520**