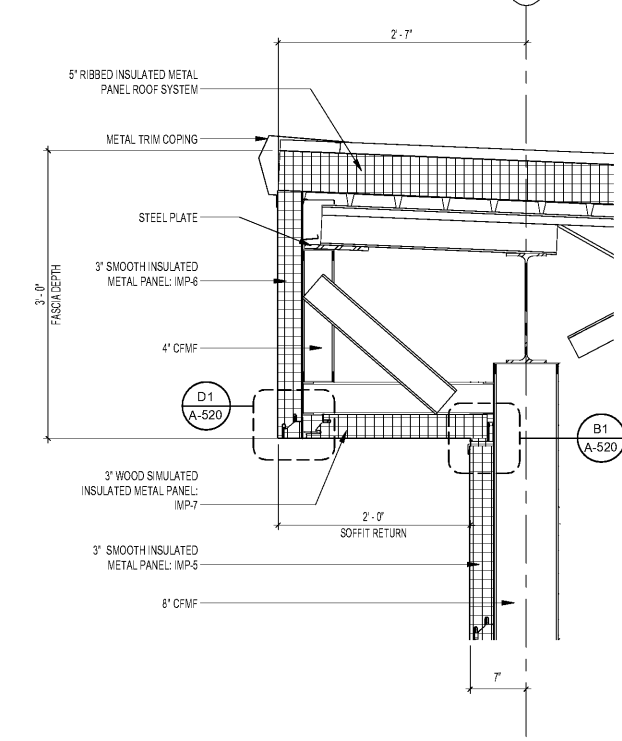
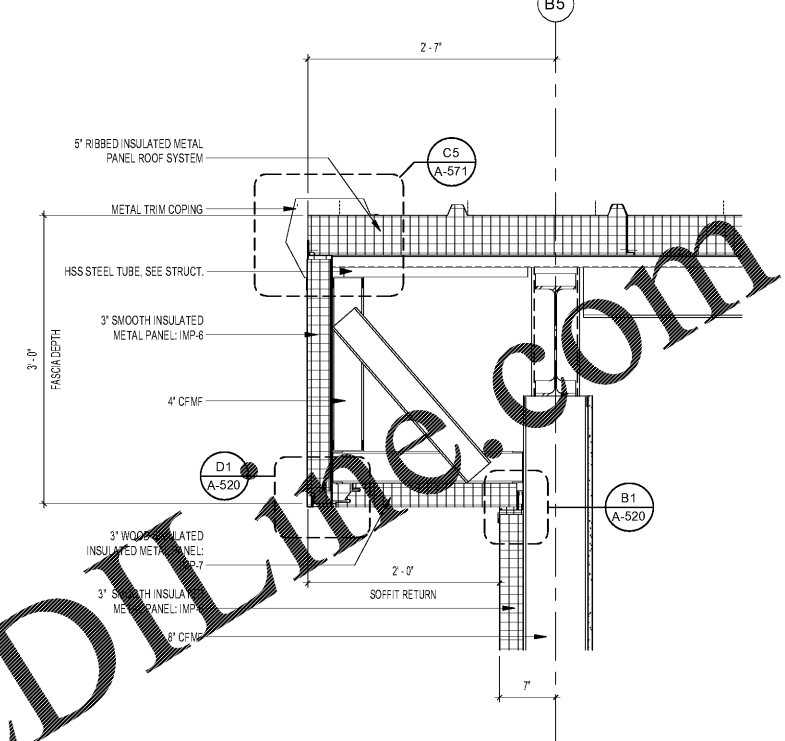


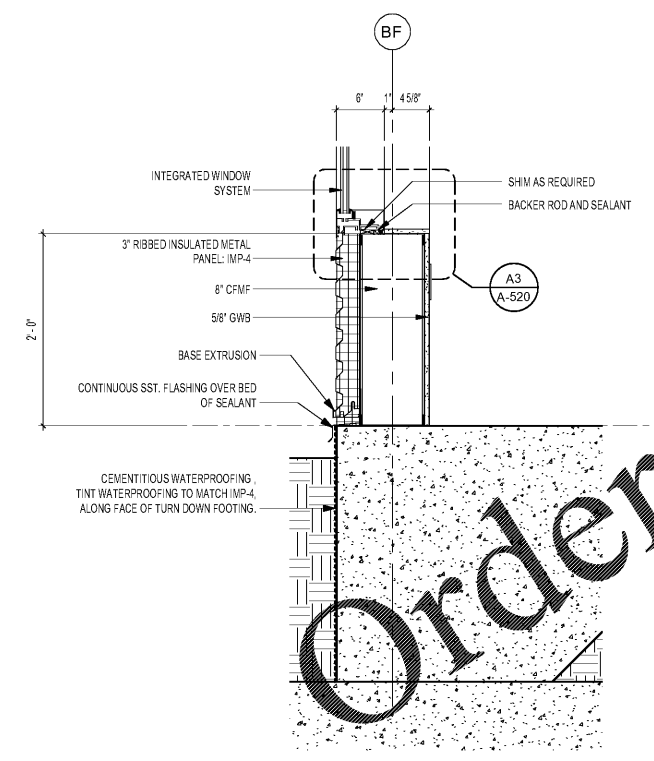
C1 SECTION DETAIL - OFFICE WINDOW HEAD
SCALE: 1" = 1'-0"



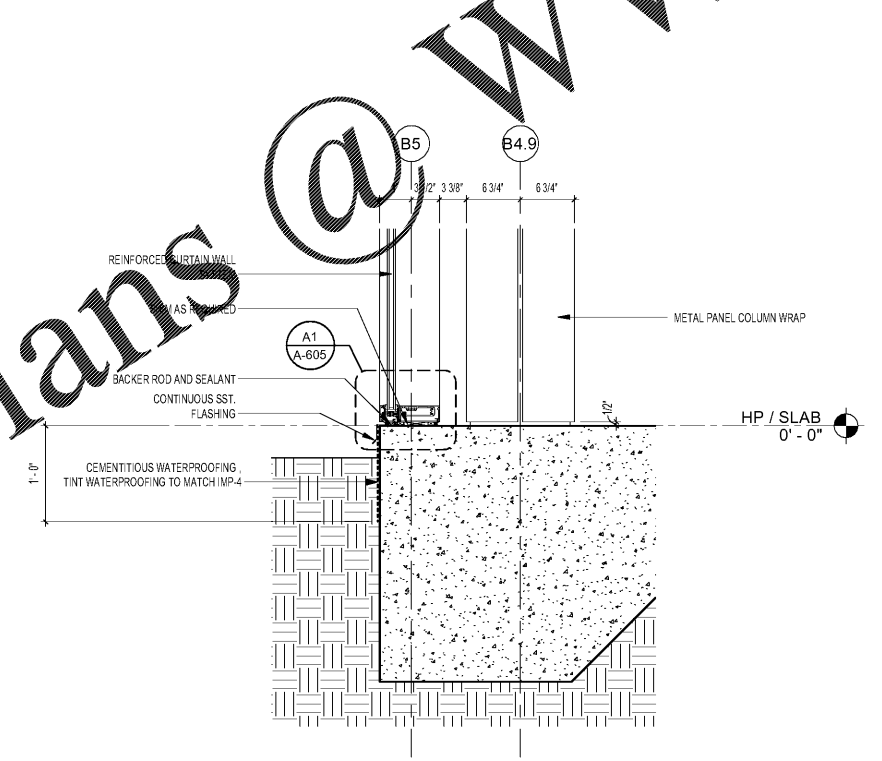
C3 SECTION DETAIL - OFFICE SOFFIT HIGH EAVE
SCALE: 1" = 1'-0"



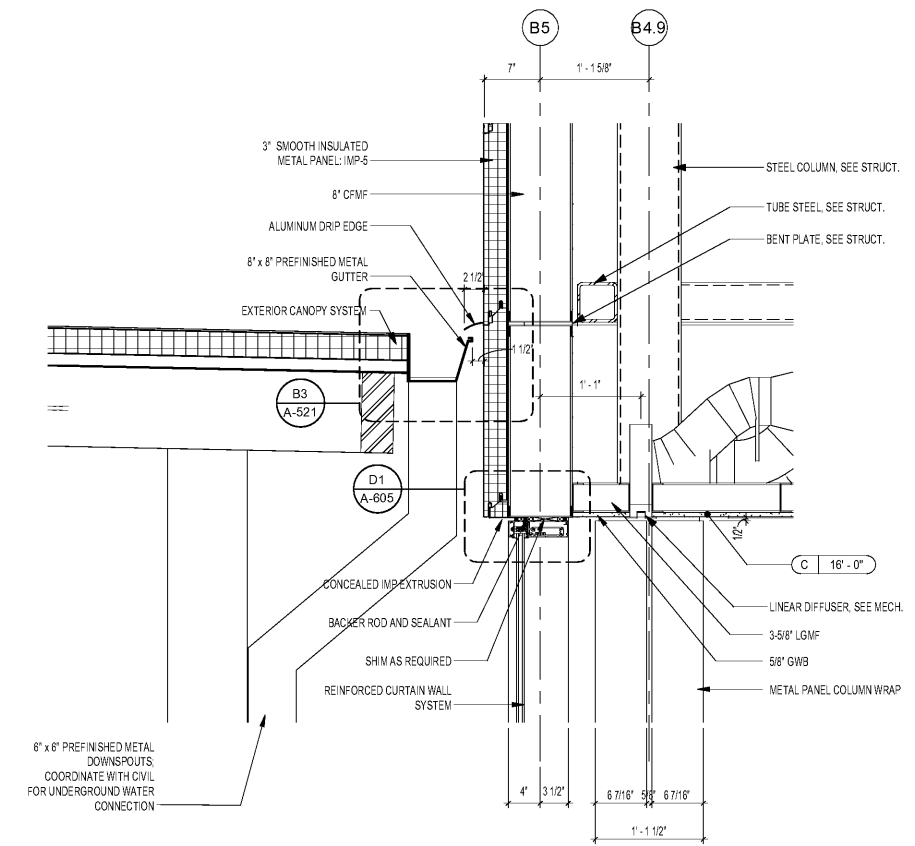
C5 SECTION DETAIL - OFFICE SOFFIT RAKE
SCALE: 1" = 1'-0"



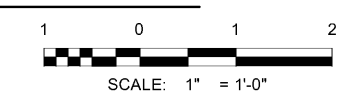
A1 SECTION DETAIL - OFFICE WINDOW SILL
SCALE: 1" = 1'-0"




A3 SECTION DETAIL - CURTAIN WALL BASE
SCALE: 1" = 1'-0"



A5 SECTION DETAIL - CURTAIN WALL HEAD
SCALE: 1" = 1'-0"



Order Plans @ WWW.LDILine.com



| MARK | DESCRIPTION | DATE |
|------|-------------|------|
| | | |
| | | |
| | | |
| | | |
| | | |
| | | |
| | | |
| | | |
| | | |
| | | |

| | | | |
|--|-----------------------------|--------------------------|--------------------------------------|
| DESIGNED BY: ARCHITECT: NORFOLK SOUTHERN PROJECT NO.: 190557 BUSINESS PLAN/CONSTRUCTION | CHECKED BY: K. Webb-Teke | SUBMITTED BY: E. Ames | ISSUED FOR CONSTRUCTION: DC-MM-YY |
|--|-----------------------------|--------------------------|--------------------------------------|

NORFOLK SOUTHERN CORP
 1200 PEACHTREE STREET, NE
 ATLANTA, GEORGIA 30309
 404-525-1230

POND
 3000 Peachtree Lane, Suite 200
 Atlanta, Georgia 30328
 Phone: (478) 335-7749
 Fax: (478) 335-7749
 LOG# NO. 1189557

SECTION DETAILS

| | |
|--|--------------------------|
| CORPORATE ARCHITECT HANGAR FOR NORFOLK SOUTHERN CORPORATION FULTON COUNTY AIRPORT - BROWN FIELD (F1) 3827 AVIATION CIRCLE, SUITE 200 ATLANTA, GEORGIA 30338 | SHEET ID A-513 |
|--|--------------------------|

7/10/2020 3:04:17 AM BIM 360/1190557 - Pegasus/1190557_Pegasus_NS_Arch_CENTRAL_v19_R3.rvt