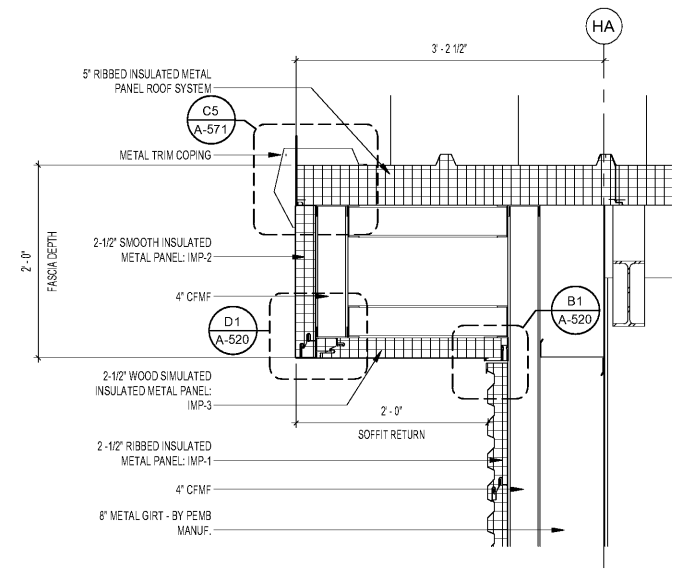
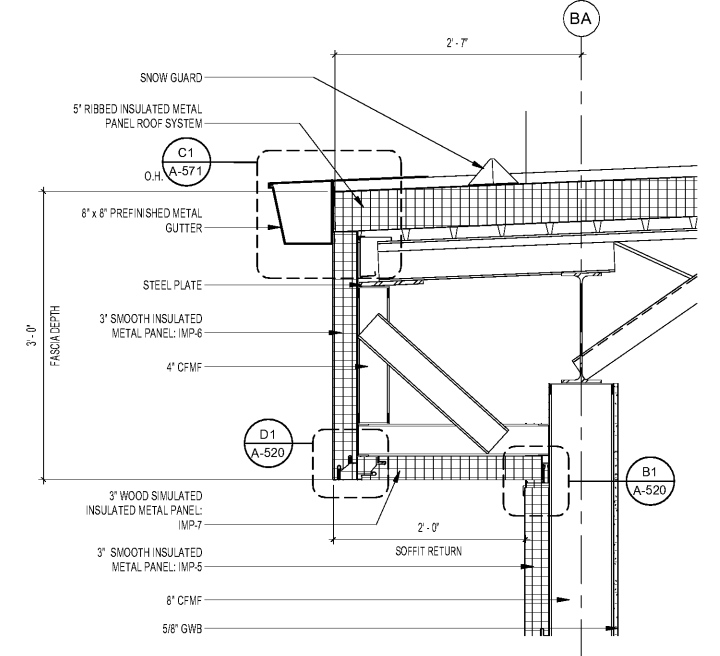


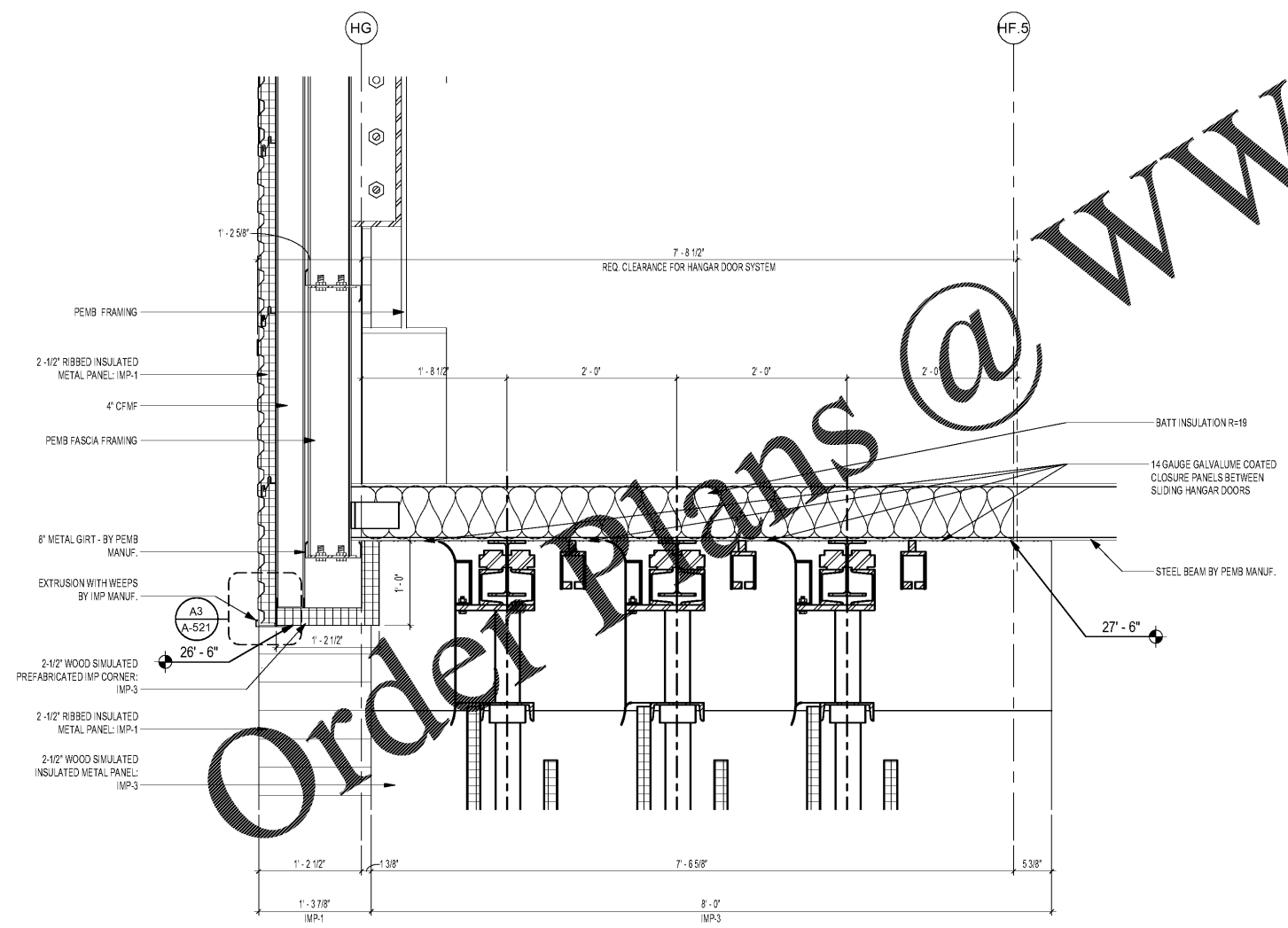
7/10/2020 3:04:13 AM BIM 360//1190557 - Pegasus/1190557_Pegasus_NS_Arch_CENTAL_v19_R3.rvt



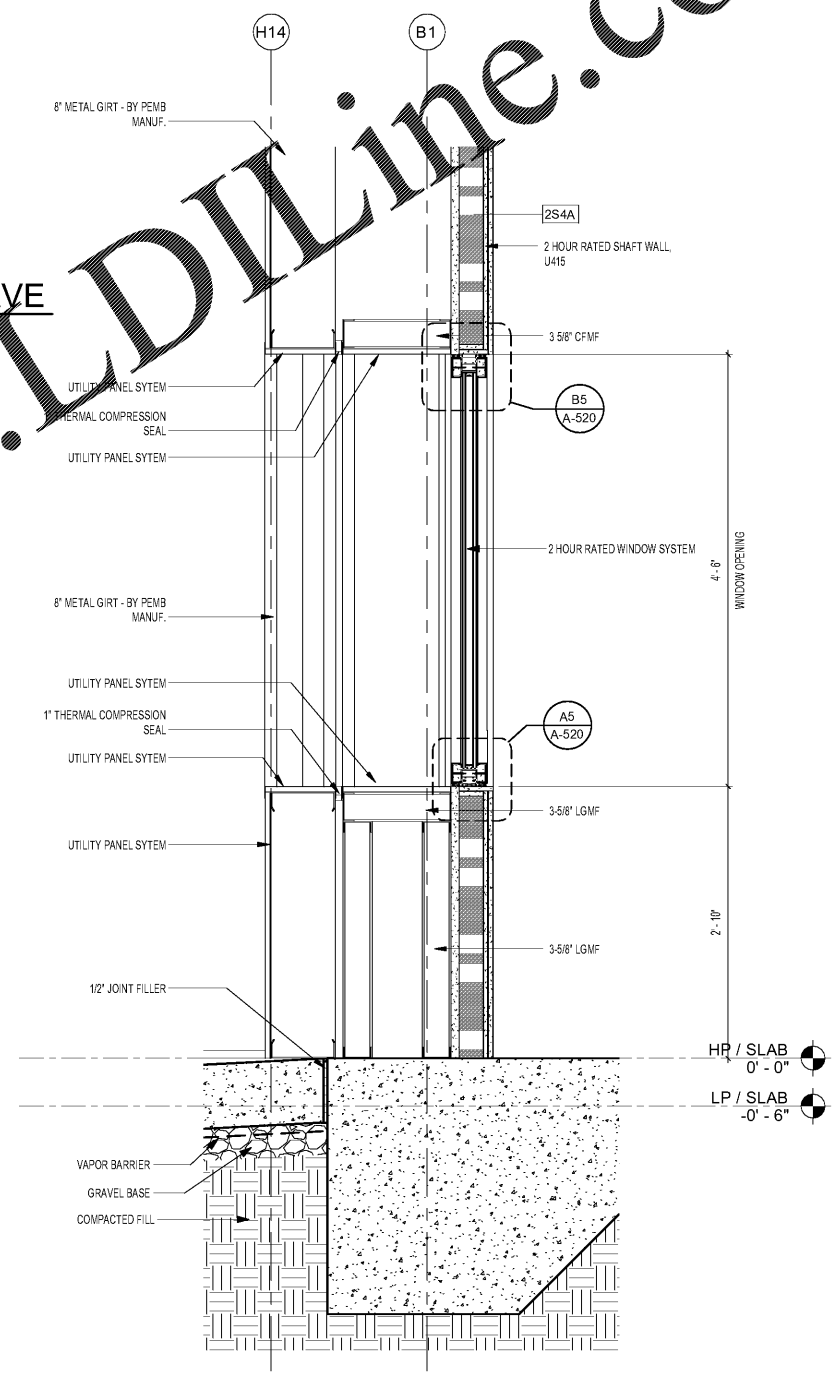
D1 SECTION DETAIL - HANGAR SOFFIT RAKE
SCALE: 1" = 1'-0"



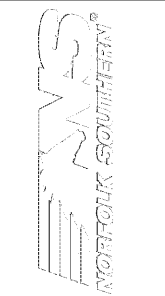
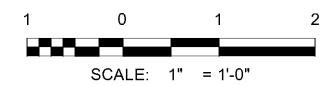
D3 SECTION DETAIL - OFFICE SOFFIT LOW EAVE
SCALE: 1" = 1'-0"



A1 SECTION DETAIL - HANGAR DOOR TOP TRACK SYSTEM
SCALE: 1" = 1'-0"



A4 SECTION DETAIL - RATED WINDOW
SCALE: 1" = 1'-0"



MARK	DESCRIPTION	DATE

DESIGNED BY: A. Jones	CHECKED BY: K. Webb/1/2/24
PROJECT NO.: 1190557	DATE FOR CONSTRUCTION: DC-MM-YY
<p>POND POND & COMPANY 1200 PEACHTREE STREET, NE ATLANTA, GEORGIA 30309 404-529-1230 3000 Peachtree Lane, Suite 200 Phone (770) 338-7749 Fax (770) 338-7749 JOB NO. 1190557</p>	

CORPORATE AIRCRAFT HANGAR FOR NORFOLK SOUTHERN CORPORATION
FULTON COUNTY AIRPORT - BROWN FIELD (FTY)
382 AVIATION CIRCLE, SUITE 200
ATLANTA, GEORGIA 30339

SHEET ID
A-512