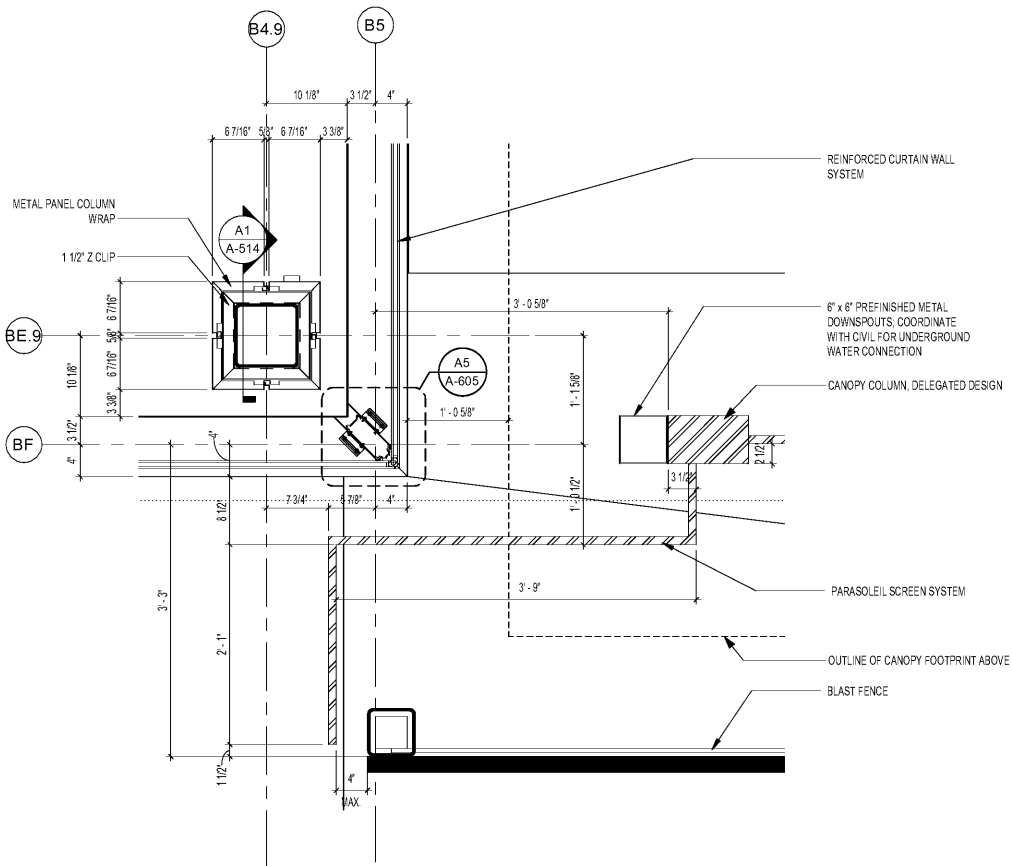
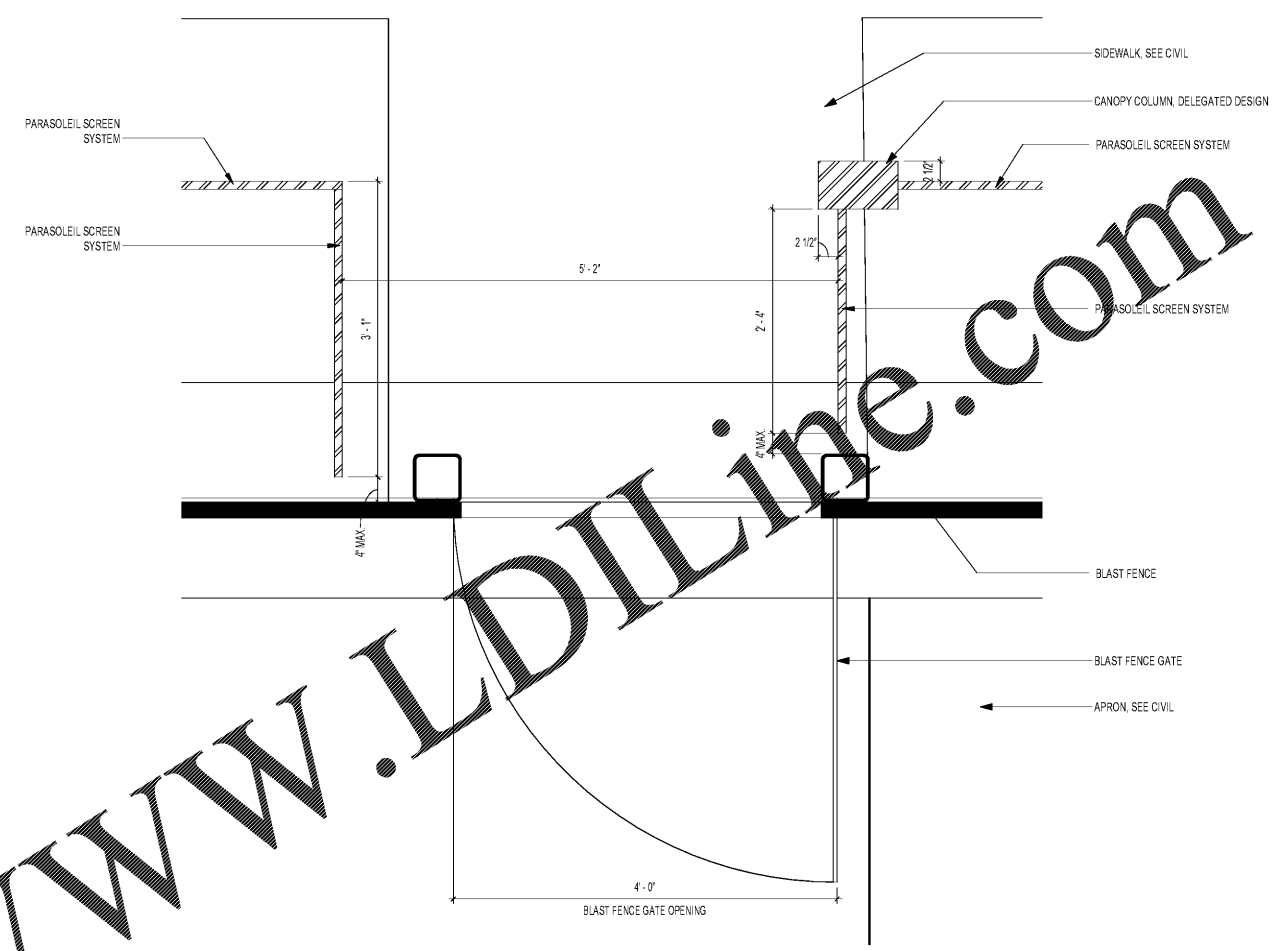


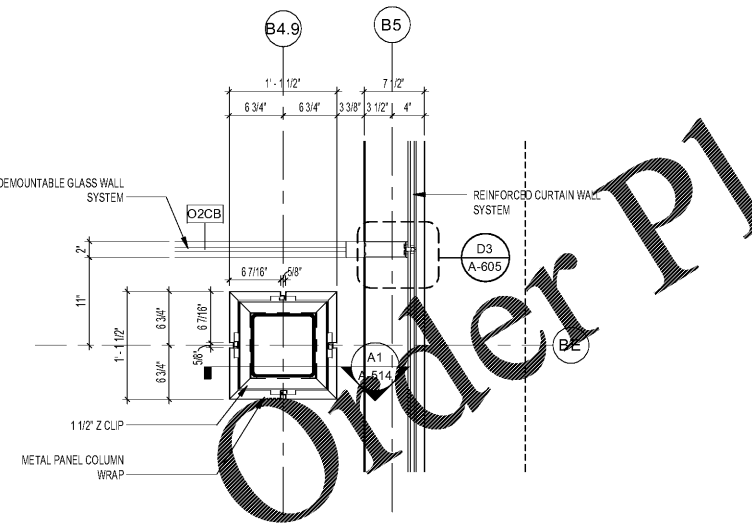
7/10/2020 3:04:06 AM BIM 360/1190557 - Pegasus/1190557\_Pegasus\_NS\_Arch\_CENTAL\_v19\_R3.rvt



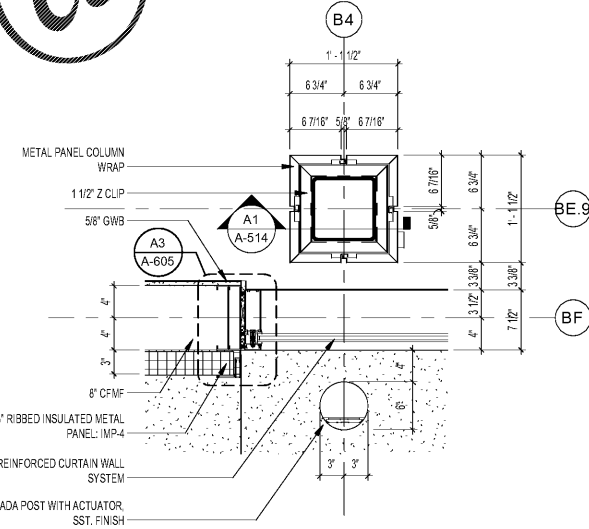
**C1** PLAN DETAIL - CURTAIN WALL CORNER  
SCALE: 1" = 1'-0"



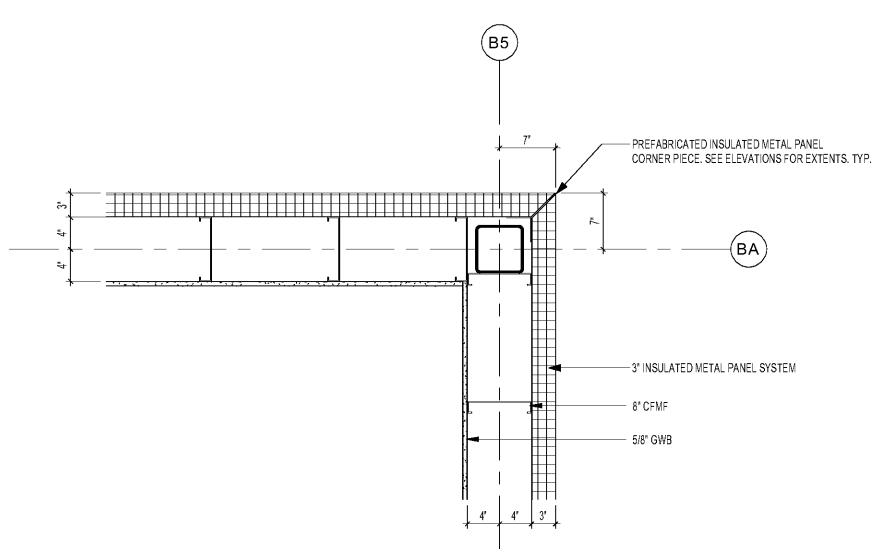
**C4** PLAN DETAIL - BLAST FENCE GATE  
SCALE: 1" = 1'-0"



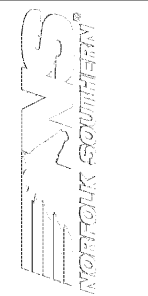
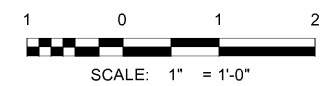
**A1** PLAN DETAIL - COLUMN WRAP @ DEMOUNT. PART.  
SCALE: 1" = 1'-0"



**A3** PLAN DETAIL - COLUMN WRAP AT CURTAIN WALL  
SCALE: 1" = 1'-0"



**A5** PLAN DETAIL - IMP CORNER  
SCALE: 1" = 1'-0"



MARK	DESCRIPTION	DATE

DESIGNED BY: E. Ames	CHECKED BY: K. Webb-Teke
DATE: 11/14/19	DATE: 11/14/19
ISSUED FOR CONSTRUCTION: DC-MM-MYTY	ISSUED FOR CONSTRUCTION: DC-MM-MYTY

NORFOLK SOUTHERN CORP.  
1200 PEACHTREE STREET, NE  
ATLANTA, GEORGIA 30309  
404-529-1230

POND  
3000 Peachtree Lake, Suite 200  
Atlanta, Georgia 30305  
Phone (478) 338-7740  
Fax (478) 338-7749  
LOG# NO. 1186557

PLAN DETAILS

CORPORATE AIRCRAFT HANGAR FOR NORFOLK SOUTHERN CORPORATION  
FULTON COUNTY AIRPORT - BROWN FIELD (FTY)  
382 AVIATION CIRCLE, SUITE 200  
ATLANTA, GEORGIA 30338

SHEET ID  
**A-502**