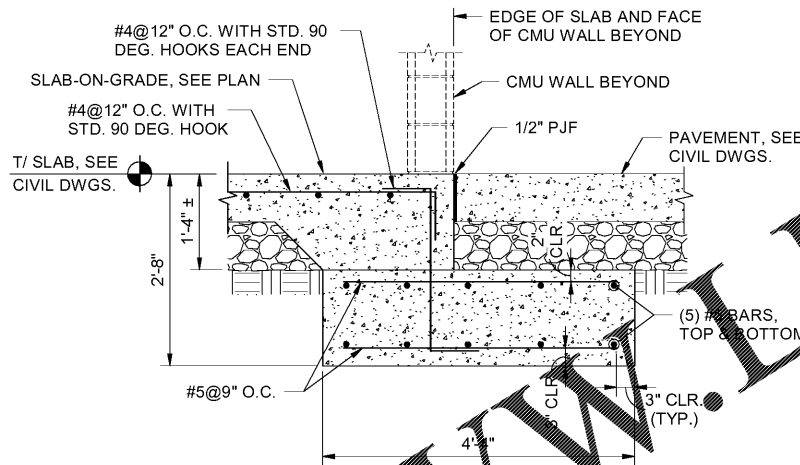
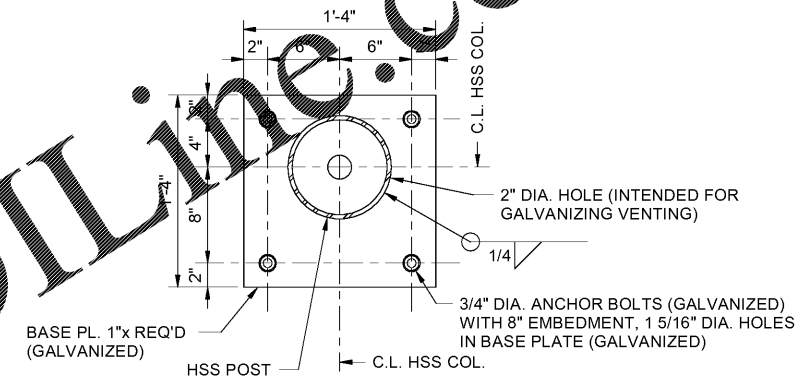


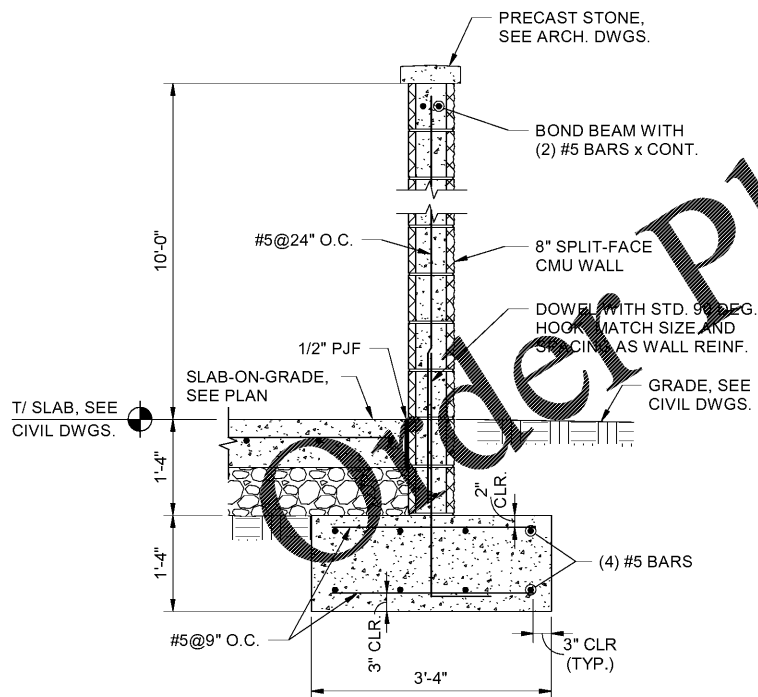
C1 DUMPSTER ENCLOSURE FOUNDATION PLAN
SCALE: N.T.S.



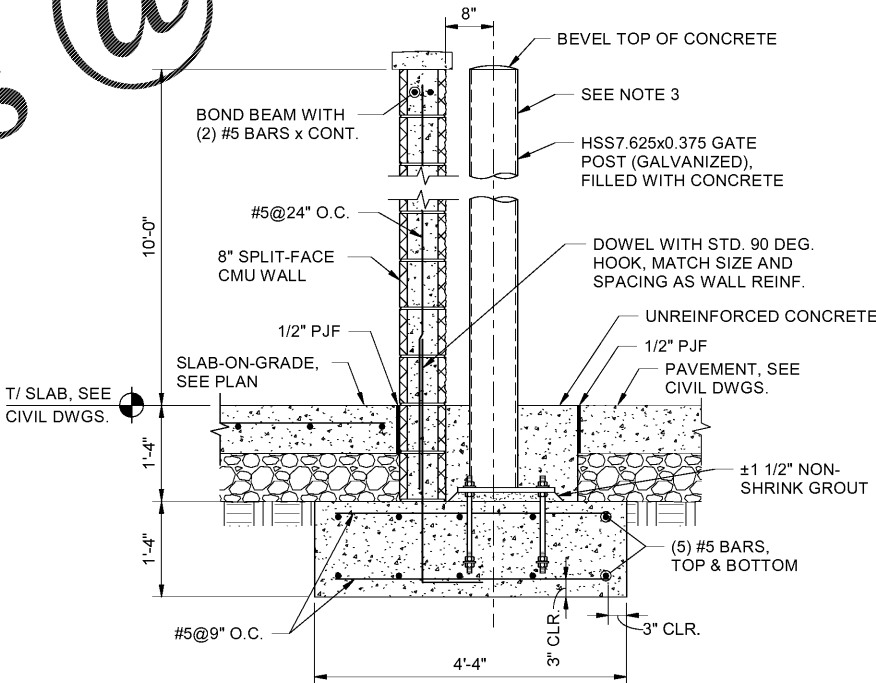
C2 DUMPSTER ENCLOSURE WALL SECTION
SCALE: N.T.S.



C4 POST BASE PLATE DETAIL
SCALE: N.T.S.



A1 DUMPSTER ENCLOSURE WALL SECTION
SCALE: N.T.S.



A2 DUMPSTER ENCLOSURE GATE POST
SCALE: N.T.S.

NOTES:

- SEE SHEET S-001, S-002, AND S-003 FOR GENERAL NOTES AND ABBREVIATION KEY.
- SLAB-ON-GRADE: 8" THICK, REINFORCED WITH #4@12" O.C., EACH-WAY, CENTERED IN SLAB. 6" CRUSHED STONE CONFORMING TO GDOT SECTION 815.
- ATTACHMENT TO STEEL GATE TO POSE BY GATE MANUFACTURER.



MARK	DESCRIPTION	DATE

DESIGNED BY: POND	DRAWN BY: POND	CHECKED BY: POND	SUBMITTED BY: POND	ISSUED FOR CONSTRUCTION: POND	DATE: 11-07-2020
----------------------	-------------------	---------------------	-----------------------	----------------------------------	---------------------

NORFOLK SOUTHERN
1200 PEACHTREE STREET, NE
ATLANTA, GEORGIA 30309
POND
3000 Peachtree Lane, Suite 200
Atlanta, Georgia 30328
Phone: (404) 335-7740
Fax: (404) 1185547
JOB NO. 1185547

CORPORATE AIRCRAFT HANGAR FOR NORFOLK SOUTHERN CORPORATION
FULTON COUNTY AIRPORT - BROWN FIELD (FTY)
382 AVIATION CIRCLE, SUITE 200
ATLANTA, GEORGIA 30338
DUMPSTER ENCLOSURE

SHEET ID
S-701

7/13/2020 10:58:00 AM BIM 360//1190557 - Pegasus/1190557_Pegasus_NS_Struct_V19.rvt