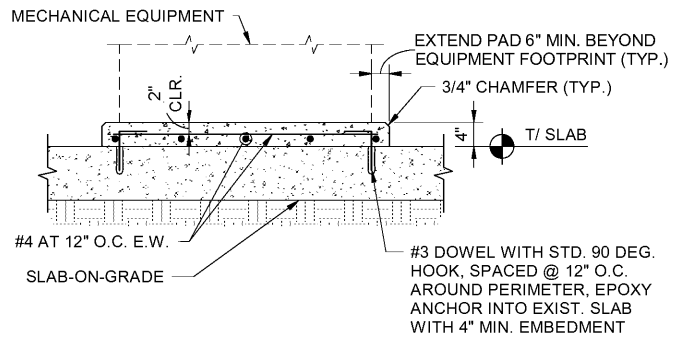
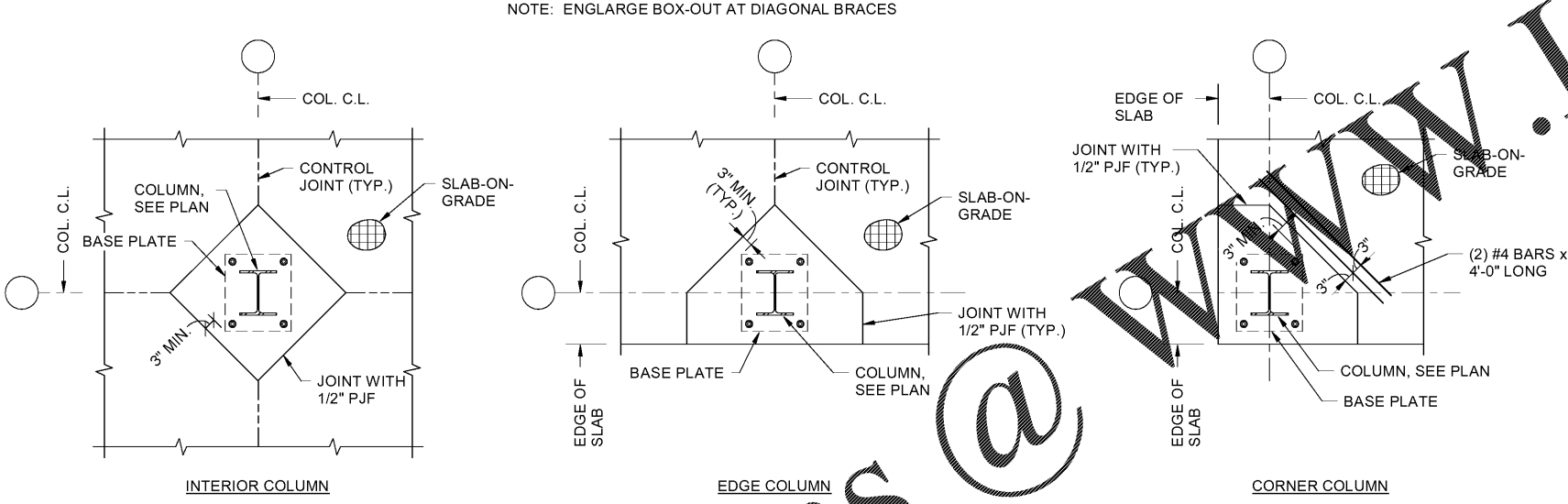


NOTE: COORDINATE PAD REQUIREMENTS WITH EQUIPMENT MANUFACTURER, INCLUDING SIZE AND PENETRATIONS.

D1 TYPICAL EXTERIOR EQUIPMENT PAD
SCALE: N.T.S.



D2 TYPICAL HOUSEKEEPING PAD
SCALE: N.T.S.

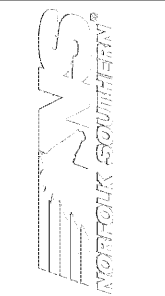


NOTE: ENLARGE BOX-OUT AT DIAGONAL BRACES

B1 TYPICAL COLUMN ISOLATION JOINTS
SCALE: N.T.S.

Order Plans @

WWW.LDILine.com



MARK	DESCRIPTION	DATE

DESIGNED BY: POND	DRAWN BY: POND	CHECKED BY: POND	SUBMITTED BY: POND	ISSUED FOR CONSTRUCTION: 13-07-2020
<small> NORFOLK SOUTHERN CORPORATION 1200 PEACHTREE STREET, NE ATLANTA, GEORGIA 30309 POND 3000 Peachtree Lane, Suite 200 Atlanta, Georgia 30328 Phone: (404) 335-7740 Fax: (404) 335-7741 Job No. 1185547 </small>				

CORPORATE AIRCRAFT HANGAR FOR NORFOLK SOUTHERN CORPORATION
 FULTON COUNTY AIRPORT - BROWN FIELD (FTY)
 362 AVIATION CIRCLE, SUITE 200
 ATLANTA, GEORGIA 30338

TYPICAL DETAILS

SHEET ID
S-502

7/13/2020 10:57:53 AM BIM 360//1180557 - Pegasus/1180557_Pegasus_NS_Struct_Y19.rvt