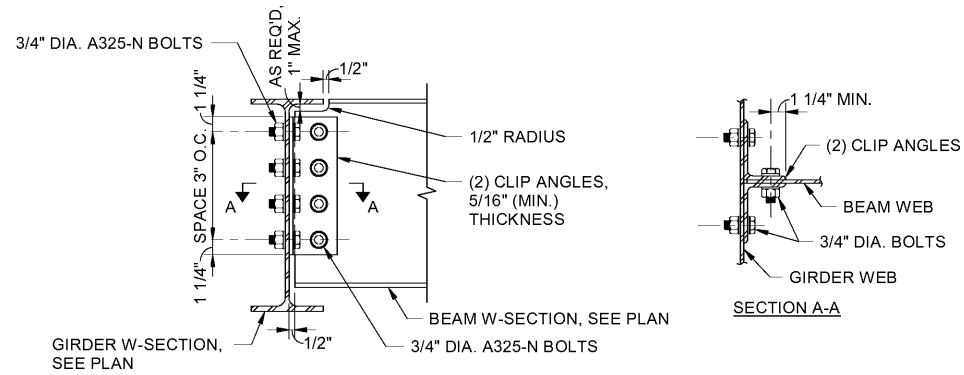
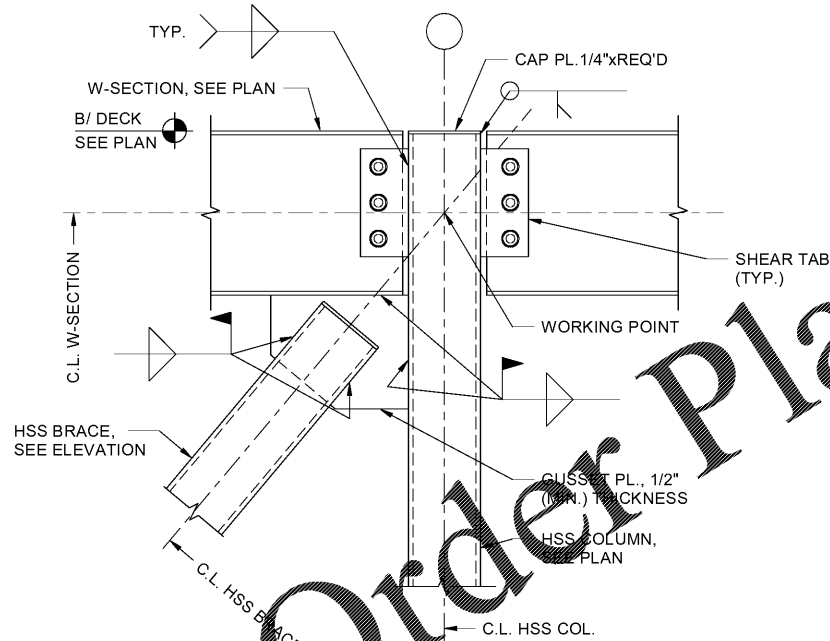


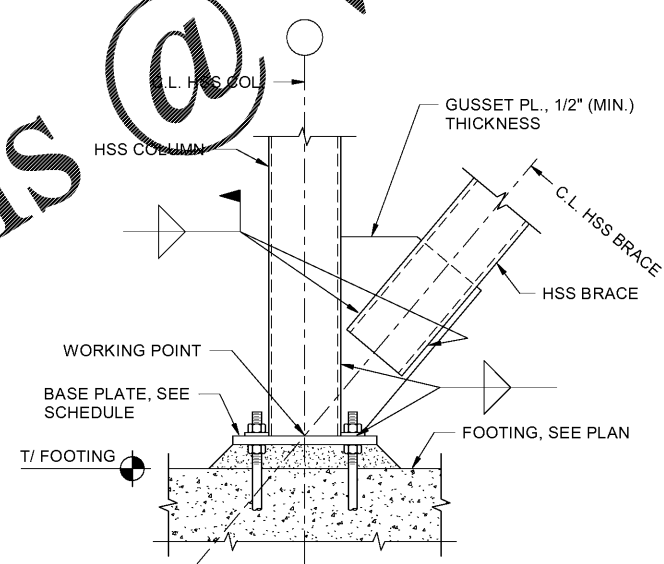
C1 SCHEMATIC W-SECTION BEAM TO HSS COLUMN CONNECTION
SCALE: N.T.S.



C2 SCHEMATIC CONNECTION BETWEEN BEAM & GIRDERS
SCALE: N.T.S.



A1 BRACE TOP CONNECTION
SCALE: N.T.S.



A2 BRACE BOTTOM CONNECTION
SCALE: N.T.S.

NOTES:

1. ALL DETAILS SHOWN ON THIS SHEET ARE ONLY INTENDED TO REPRESENT SCHEMATIC CONNECTION DESIGNS AND SHOW THE GENERAL CONFIGURATION OF STRUCTURAL MEMBERS.
2. ALL CONNECTIONS ARE DELEGATED DESIGNS, UNLESS NOTED OTHERWISE. SEE NOTE F ON SHEET S-002 AND SPECIFICATION SECTION 05 12 00.
3. INDICATED BOLTED CONNECTIONS CAN BE SUBSTITUTED FOR WELDED CONNECTIONS. CONVERSELY, INDICATED WELDED CONNECTIONS CAN BE SUBSTITUTED FOR BOLTED CONNECTIONS.
4. INDICATED SIZES AND THICKNESS OF CONNECTION COMPONENTS SHALL BE TAKEN AS MINIMUMS. SIZES AND THICKNESS MAY INCREASE AS REQUIRED TO ACHIEVE THE REQUIRED STRENGTH.



MARK	DESCRIPTION	DATE

DESIGNED BY: DRA MARK	DRAWN BY: MARK	CHECKED BY: BN	SUBMITTED BY: ERA	ISSUED FOR CONSTRUCTION: 13-07-2020
-----------------------------	-------------------	-------------------	----------------------	--

NORFOLK SOUTHERN CORP
1200 PEACHTREE STREET, NE
ATLANTA, GEORGIA 30309

POND
3002 Peachtree Lane, Atlanta, GA 30305
Phone (478) 335-7740
Fax (478) 335-7749
JOB NO. 1185537

CORPORATE AIRCRAFT HANGAR FOR NORFOLK SOUTHERN CORPORATION
FULTON COUNTY AIRPORT - BROWN FIELD (FTY)
3625 AVIATION CIRCLE, SUITE 200
ATLANTA, GEORGIA 30336

SCHEMATIC CONNECTIONS

SHEET ID
S-320

7/13/2020 10:57:48 AM BIM_360/1180557 - Pegasus/1180557_Pegasus_NS_Struct_V19.rvt