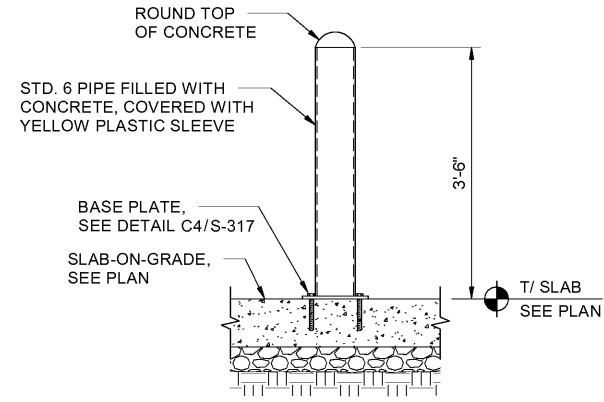
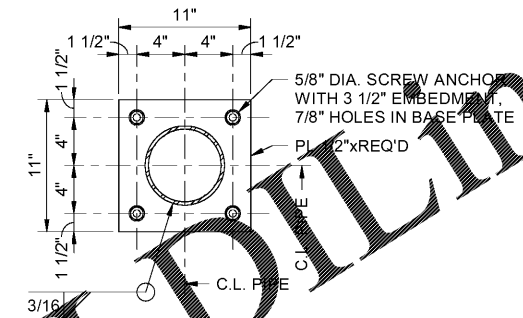


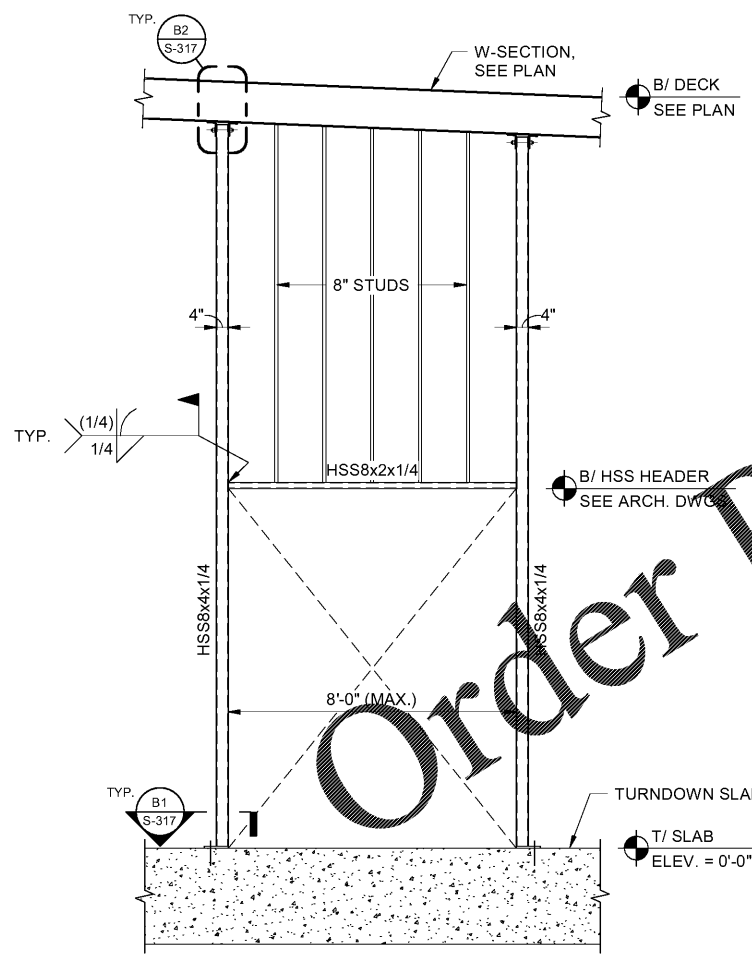
C1 MECHANICAL SCREEN WALL
SCALE: N.T.S.



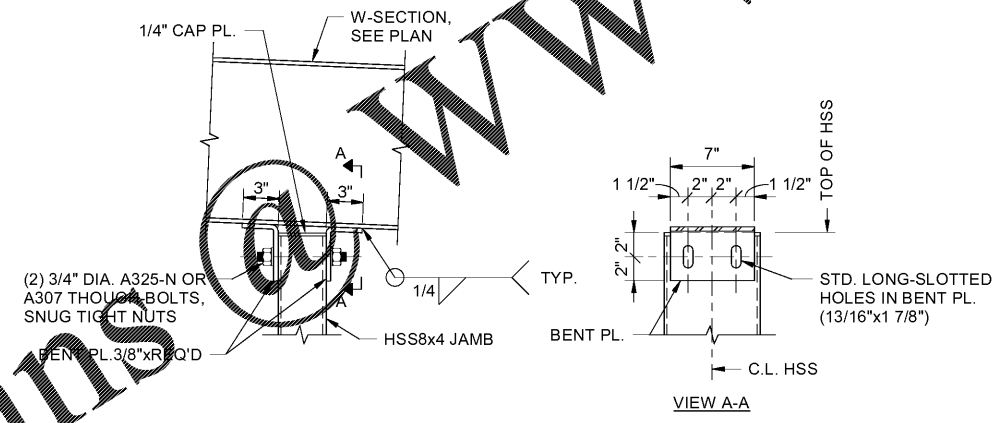
C2 BOLLARD SECTION
SCALE: N.T.S.



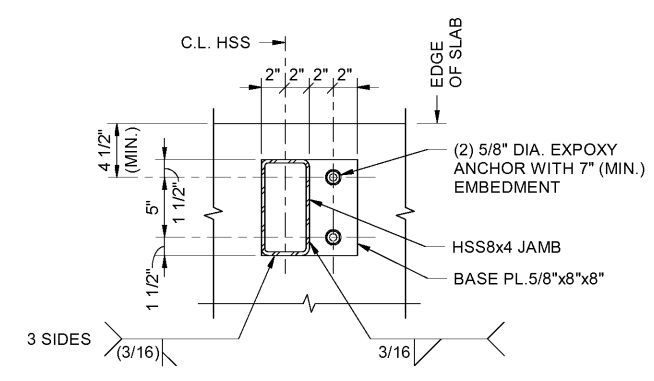
C4 BOLLARD BASE PLATE
SCALE: N.T.S.



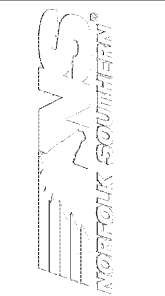
A1 OVERHEAD DOOR FRAME ELEVATION
SCALE: N.T.S.



B2 OVERHEAD DOOR TOP CONNECTION
SCALE: N.T.S.



B1 OVERHEAD DOOR BASE PLATE
SCALE: N.T.S.



MARK	DESCRIPTION	DATE

DESIGNED BY: DRAWN BY: CHECKED BY: SUBMITTED FOR CONSTRUCTION: ISSUED FOR CONSTRUCTION: 13-07-2020	<p>NORFOLK SOUTHERN CORP 1200 PEACHTREE STREET, NE ATLANTA, GEORGIA 30309</p> <p>POND 3000 Peachtree Lane, Suite 200 Atlanta, Georgia 30328 Phone (770) 335-7740 Fax (770) 335-7749 LOG NO. 1185537</p>
-------------------------------------------------------------------------------------------------------------------	--------------------------------------------------------------------------------------------------------------------------------------------------------------------------------------------------------------------------------------------

<p>CORPORATE ARCHITECT HANGAR FOR NORFOLK SOUTHERN CORPORATION FULTON COUNTY AIRPORT - BROWN FIELD (FTY) 362 AVIATION CIRCLE, SUITE 200 ATLANTA, GEORGIA 30335</p>	DETAILS
--------------------------------------------------------------------------------------------------------------------------------------------------------------------------------	----------------

SHEET ID
S-317

7/13/2020 10:57:46 AM BIM 360/1180557 - Pegasus/1180557_Pegasus_NS_Struct_Y19.rvt