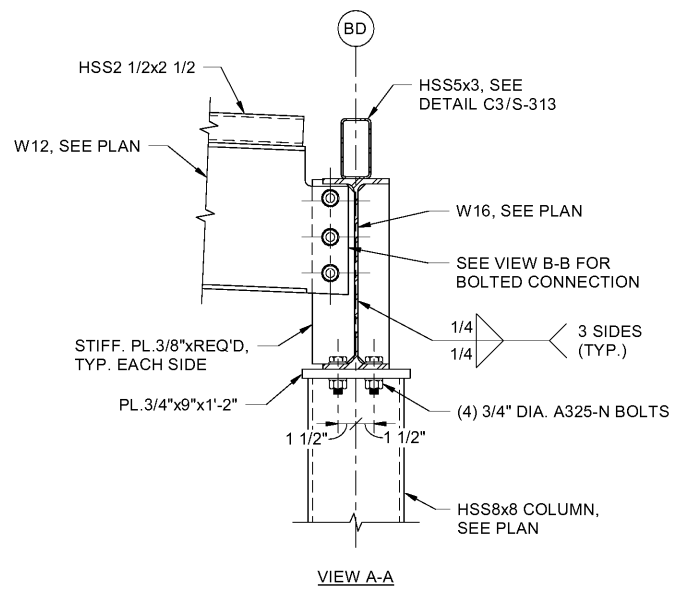
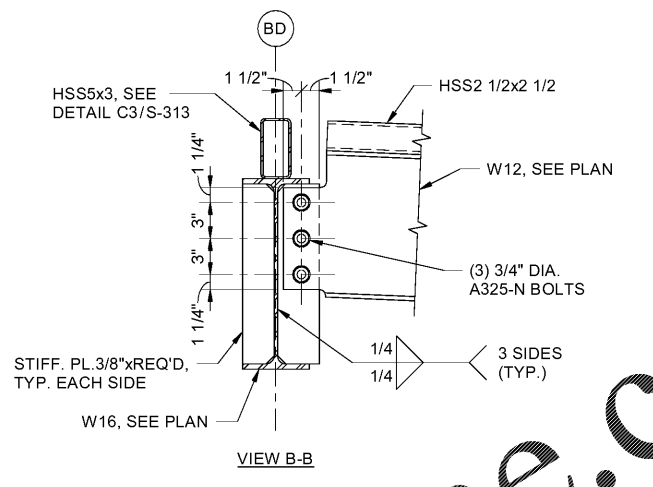


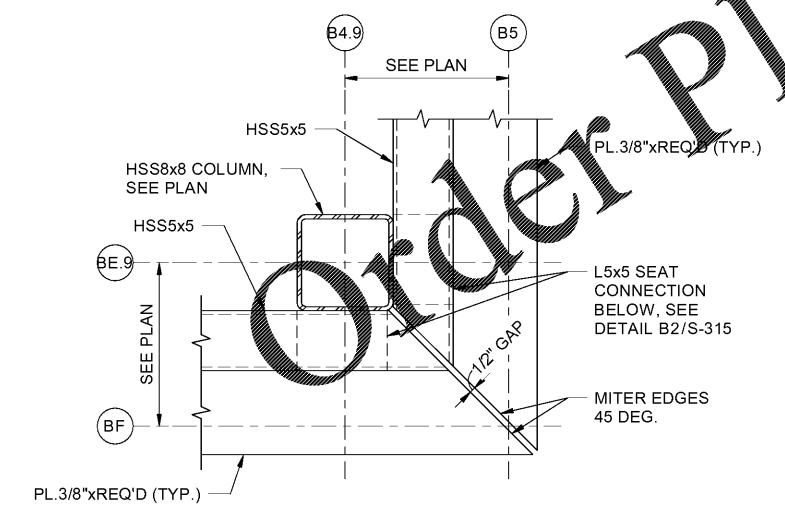
C1 ROOF FRAMING SECTION AT COLUMN-LINE B5/BD
SCALE: N.T.S.



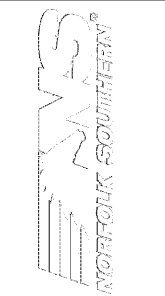
B2 HSS HEADER ATTACHMENT TO COLUMN
SCALE: N.T.S.



B1 CURTAIN WALL HEAD SECTION
SCALE: N.T.S.



A1 HSS HEADER AT COLUMN B4.9/BE.9
SCALE: N.T.S.



MARK	DESCRIPTION	DATE

DESIGNED BY: DRAWN BY: CHECKED BY: SUBMITTED BY: ISSUED FOR CONSTRUCTION: 13-07-2020	<p>FOR THE ARCHITECT:</p> <p>NORFOLK SOUTHERN CORP 1200 PEACHTREE STREET, NE ATLANTA, GEORGIA 30309</p> <p>FOR THE ENGINEER:</p> <p>POND & COMPANY 3002 Peachtree Lane, Suite 200 Atlanta, Georgia 30305 Phone (404) 335-7740 Fax (404) 335-7740 LIC. NO. 1185537</p>
---	---

CORPORATE AIRCRAFT HANGAR FOR NORFOLK SOUTHERN CORPORATION
FULTON COUNTY AIRPORT - BROWN FIELD (FTY)
362 AVIATION CIRCLE, SUITE 200
ATLANTA, GEORGIA 30336

DETAILS

SHEET ID
S-315

7/13/2020 10:57:44 AM BIM 360//1190557 - Pegasus/1190557_Pegasus_NS_Struct_V19.rvt