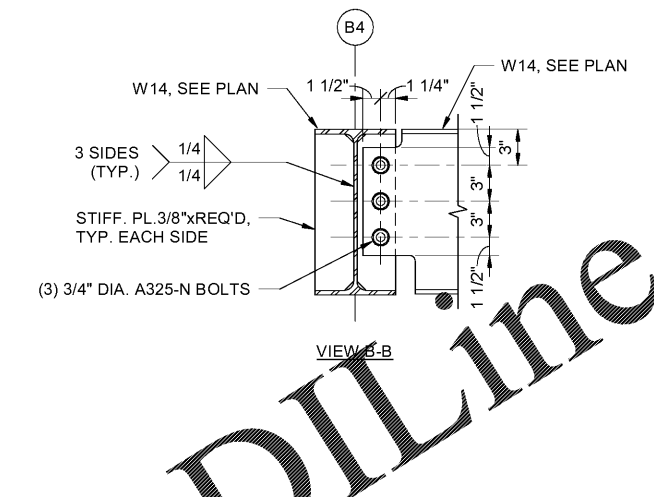
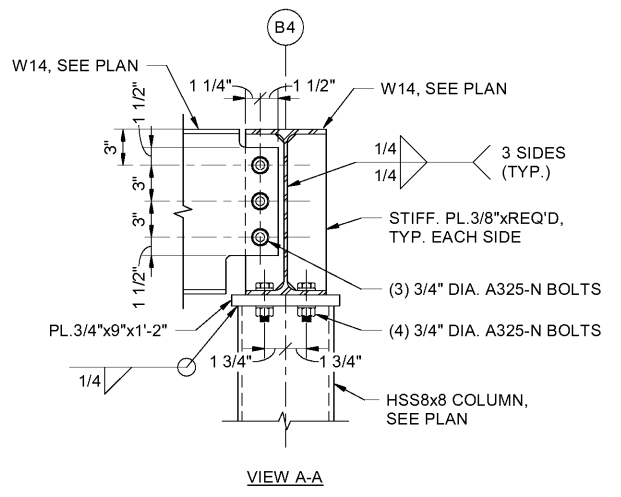
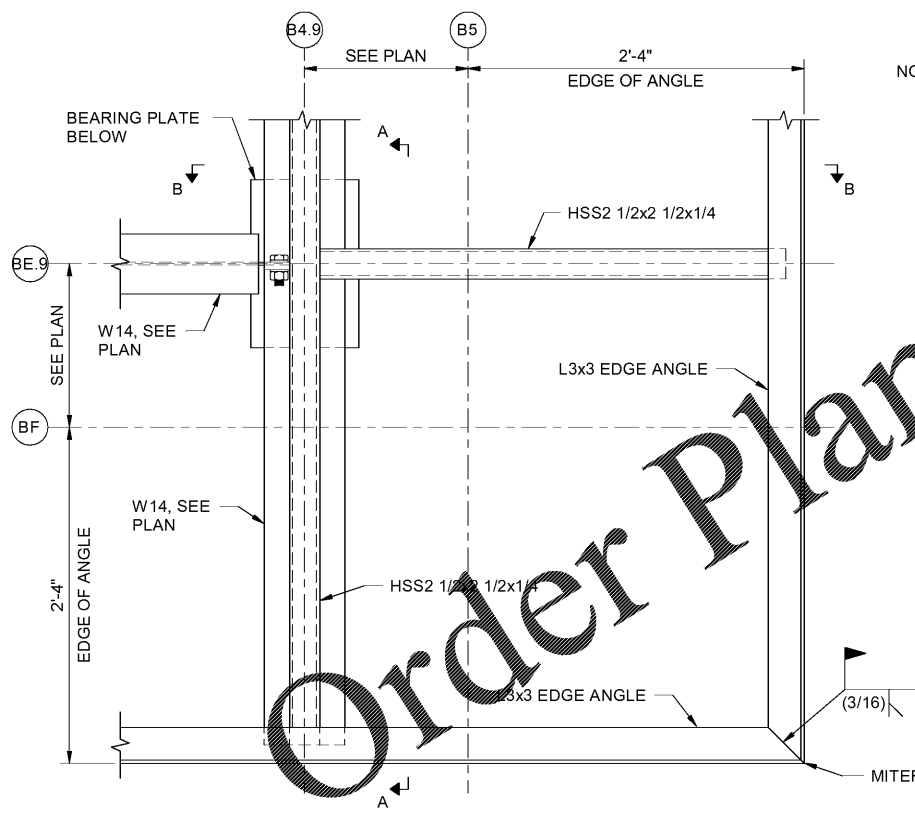


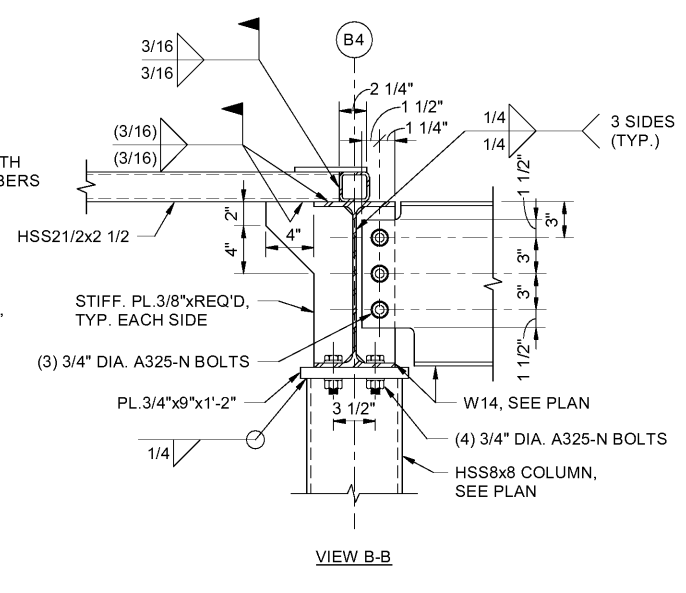
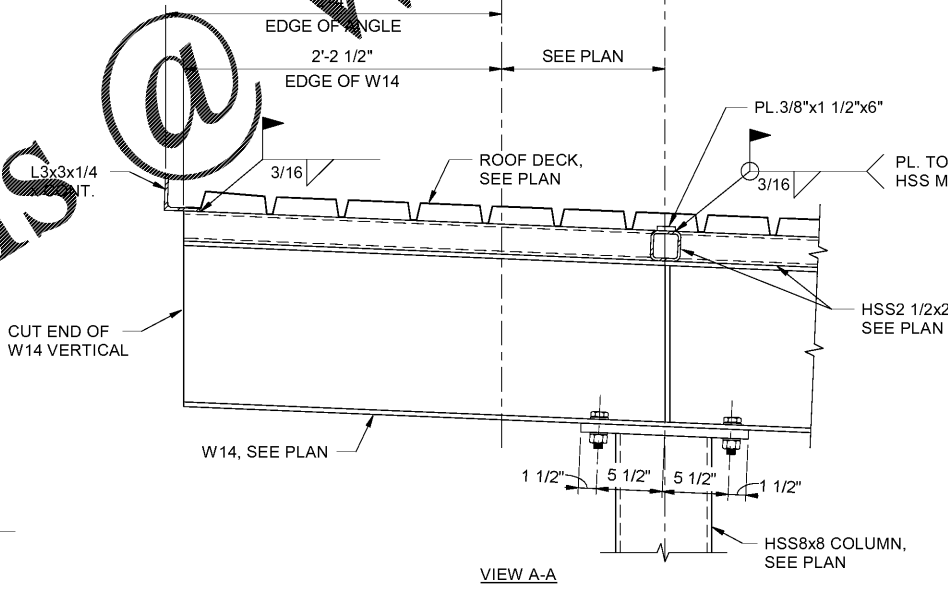
NOTE: CONNECTIONS SHOWN ARE NOT A DELEGATED DESIGN



C1 ROOF FRAMING SECTION AT COLUMN-LINE B4/BF
SCALE: N.T.S.




NOTE: CONNECTIONS SHOWN ARE NOT A DELEGATED DESIGN



A1 ROOF FRAMING SECTION AT COLUMN-LINE B5/BF
SCALE: N.T.S.

www.LDILine.com



DESIGNED BY:	DATE:
DRAWN BY:	DESCRIPTION:
CHECKED BY:	MARK:
SUBMITTED FOR CONSTRUCTION:	DATE:
ISSUED FOR CONSTRUCTION:	DATE:

DESIGNED BY: [Blank] DATE: [Blank]

DRAWN BY: [Blank] DESCRIPTION: [Blank]

CHECKED BY: [Blank] MARK: [Blank]

SUBMITTED FOR CONSTRUCTION: [Blank] DATE: [Blank]

ISSUED FOR CONSTRUCTION: [Blank] DATE: [Blank]

NORFOLK SOUTHERN CORP
1200 PEACHTREE STREET, NE
ATLANTA, GEORGIA 30309

POND
3002 Peachtree Lane, Suite 200
Atlanta, Georgia 30328
Phone (404) 335-7740
Fax (404) 335-7749
JOB NO. 1185557

CORPORATE AIRCRAFT HANGAR FOR NORFOLK SOUTHERN CORPORATION
FULTON COUNTY AIRPORT - BROWN FIELD (FTY)
3627 AVIATION CIRCLE, SUITE 200
ATLANTA, GEORGIA 30336

DETAILS

SHEET ID

S-314

7/13/2020 10:57:42 AM BIM 360//1180557 - Pegasus/1180557_Pegasus_NS_Struct_V19.rvt