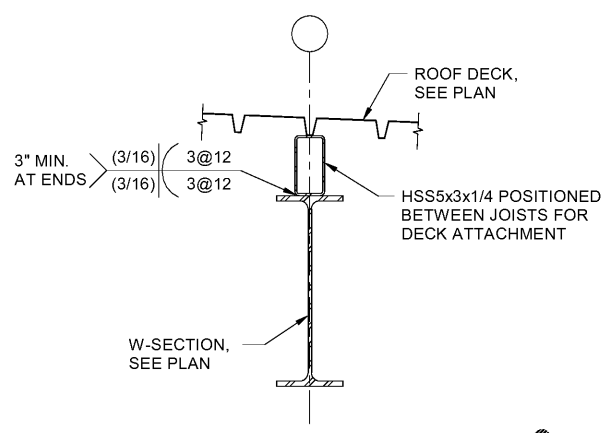
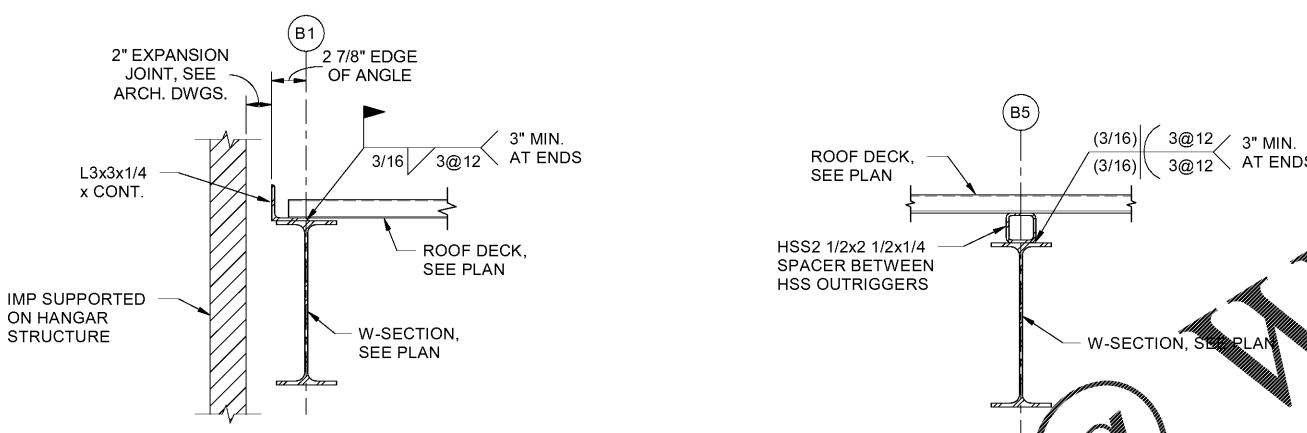


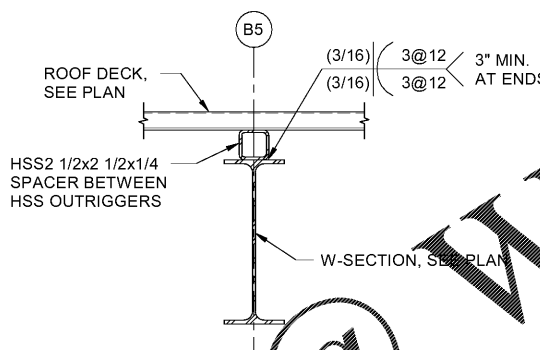
**C1** ROOF SECTION ALONG COLUMN-LINE B1  
SCALE: N.T.S.



**C3** TYPICAL HSS MEMBER BETWEEN JOISTS  
SCALE: N.T.S.

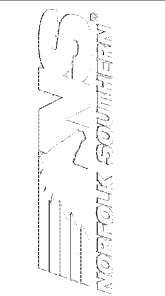


**B1** ROOF SECTION ALONG COLUMN-LINE B1  
SCALE: N.T.S.



**B2** HSS BETWEEN EXTENSIONS ALONG COLUMN-LINE B5  
SCALE: N.T.S.

Order Plans @ WWW.LDILine.com



| MARK | DESCRIPTION | DATE |
|------|-------------|------|
|      |             |      |
|      |             |      |
|      |             |      |
|      |             |      |
|      |             |      |
|      |             |      |
|      |             |      |
|      |             |      |
|      |             |      |
|      |             |      |

|   |                                |  |
|---|--------------------------------|--|
| DESIGNED BY:<br>BY: [Signature]   | CHECKED BY:<br>BY: [Signature] | ISSUED FOR CONSTRUCTION:<br>DATE: 11-27-2020 |
| <small>           NORFOLK SOUTHERN CORPORATION<br/>           1200 PEACHTREE STREET, NE<br/>           ATLANTA, GEORGIA 30309<br/>           POND<br/>           3000 Peachtree Lane, Suite 200<br/>           Atlanta, Georgia 30328<br/>           Phone: (770) 338-7740<br/>           Fax: (770) 338-7740<br/>           Job No. 1185527         </small> |                                |  |

CORPORATE AIRCRAFT HANGAR FOR NORFOLK SOUTHERN CORPORATION  
 FULTON COUNTY AIRPORT - BROWN FIELD (F71)  
 362 AVIATION CIRCLE, SUITE 200  
 ATLANTA, GEORGIA 30336  
**DETAILS**

SHEET ID  
**S-313**

7/13/2020 10:57:40 AM BIM 360//1180557 - Pegasus/1180557\_Pegasus\_NS\_Struct\_Y19.rvt