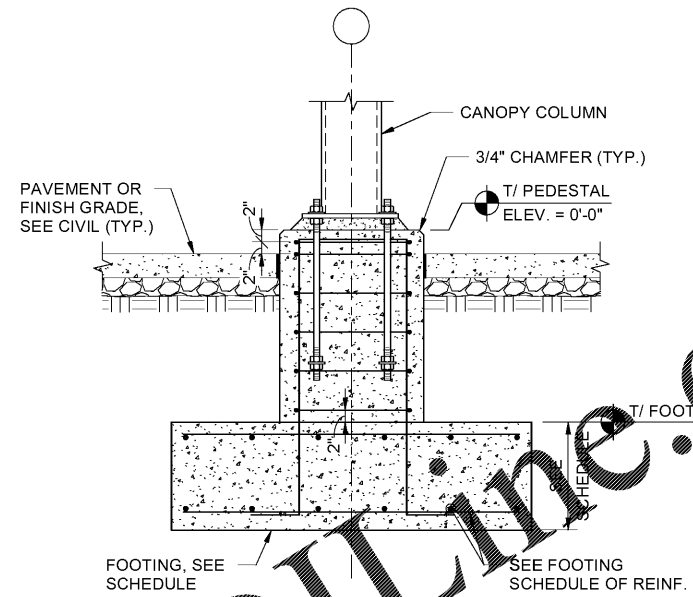
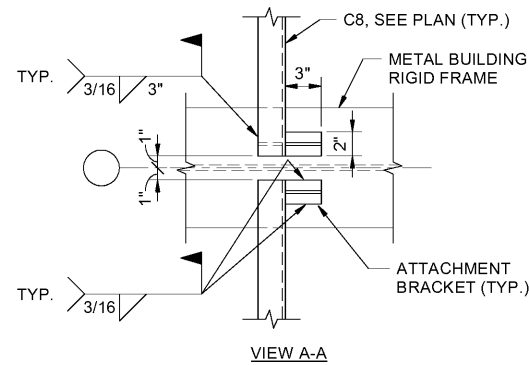
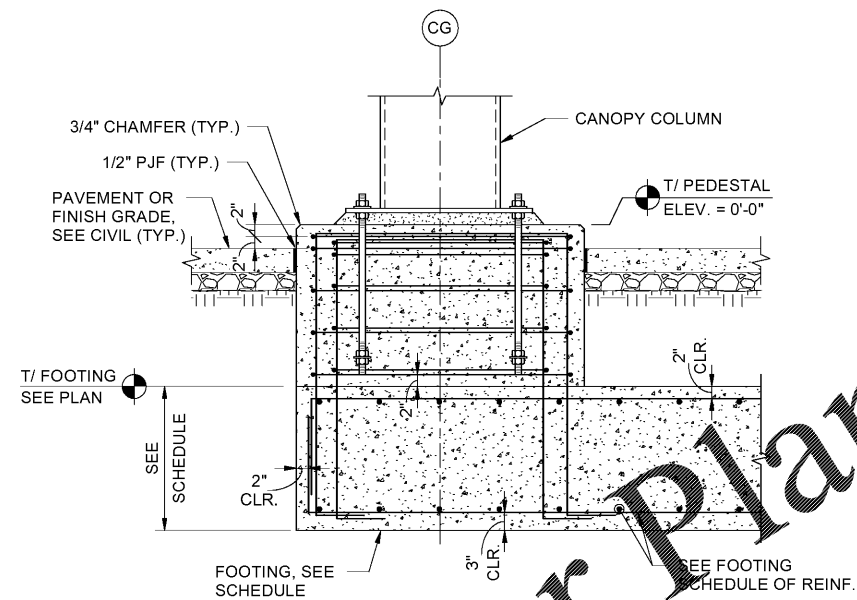


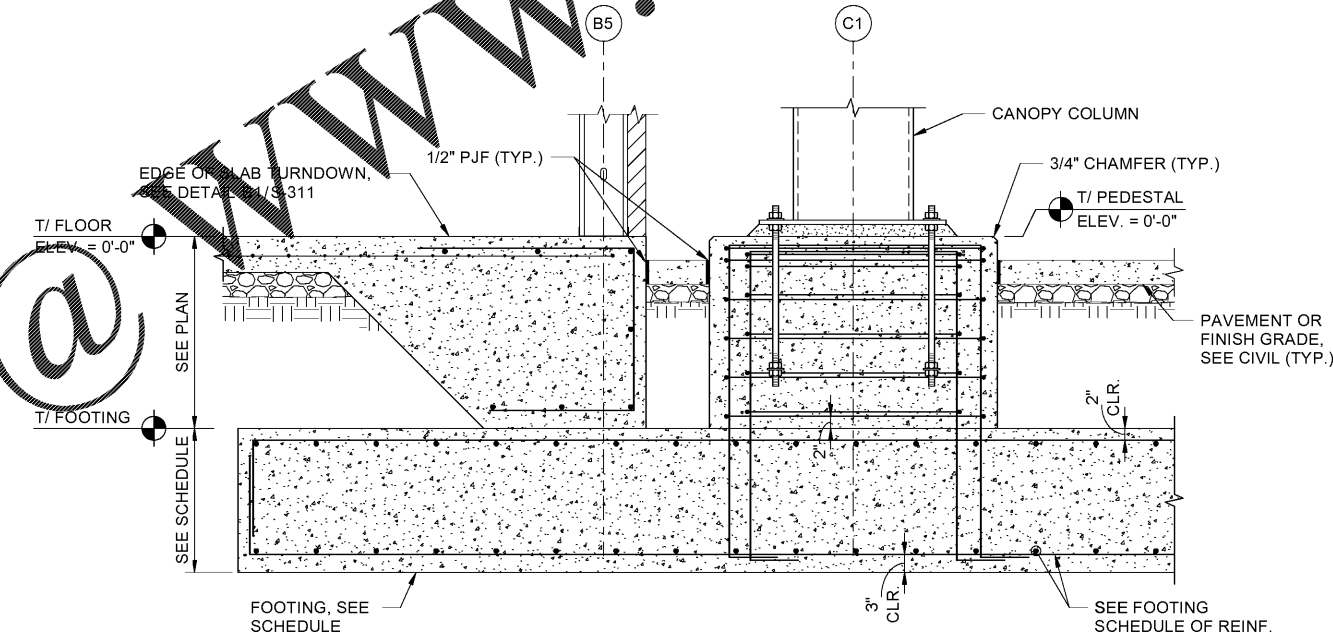
D1 C8 FRAMING AT HANGAR ROOF
SCALE: N.T.S.



A4 CENTER CANOPY FOUNDATION SECTION
SCALE: N.T.S.

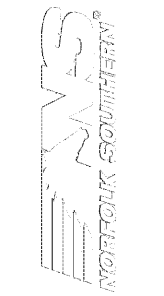


A1 CANOPY FOUNDATION SECTION ALONG COLUMN-LINE CG
SCALE: N.T.S.



A3 CANOPY FOUNDATION SECTION ALONG COLUMN-LINE B5 & C1
SCALE: N.T.S.

Order Plans @ www.LDLine.com



MARK	DESCRIPTION	DATE

DESIGNED BY: DRAWN BY: CHECKED BY: SUBMITTED FOR CONSTRUCTION: ISSUED FOR CONSTRUCTION: DATE

POND
NORFOLK SOUTHERN CORP
1200 PEACHTREE STREET, NE
ATLANTA, GEORGIA 30309
3002 Peachtree Lane, Suite 200
Atlanta, Georgia 30326
Phone (404) 338-7740
Fax (404) 338-7740
JOB NO. 1185517

CORPORATE AIRCRAFT HANGAR FOR NORFOLK SOUTHERN CORPORATION
FULTON COUNTY AIRPORT - BROWN FIELD (F71)
3622 AVIATION CIRCLE, SUITE 200
ATLANTA, GEORGIA 30336

DETAILS

SHEET ID

S-307

7/13/2020 10:57:35 AM BIM 360/1180557 - Pegasus/1180557_Pegasus_NS_Struct_V19.rvt