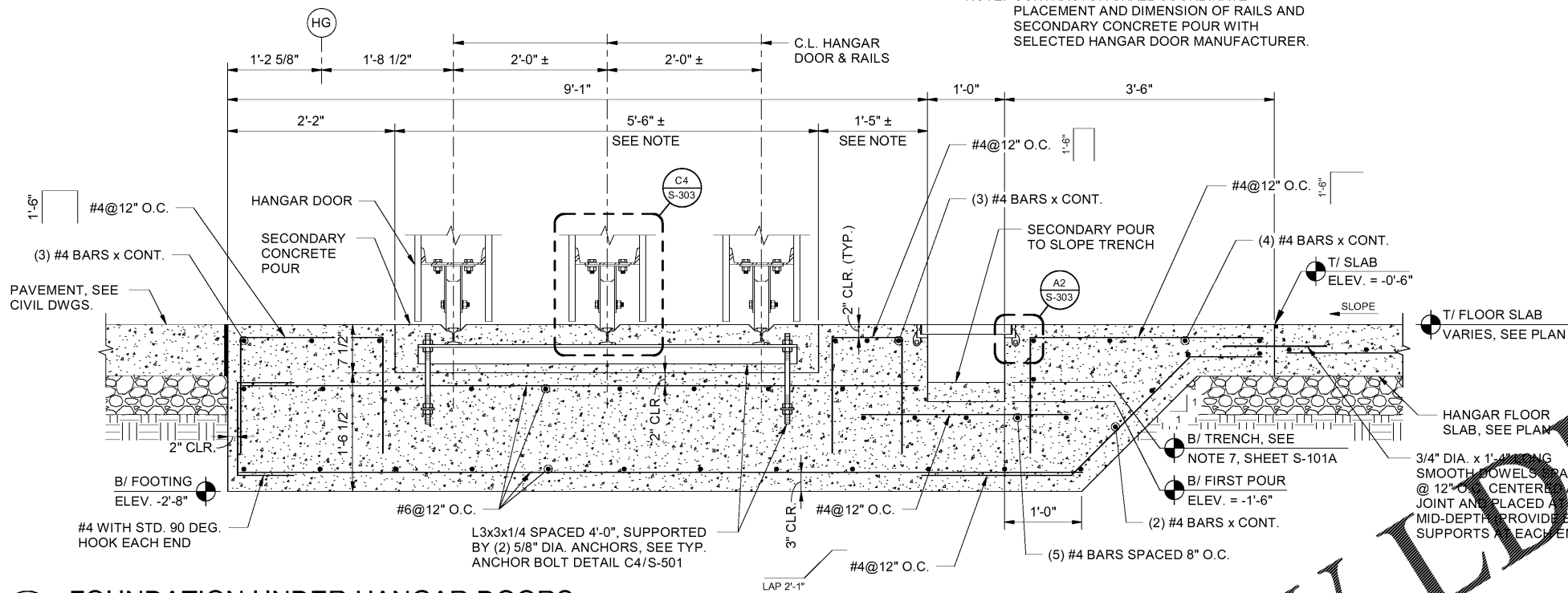


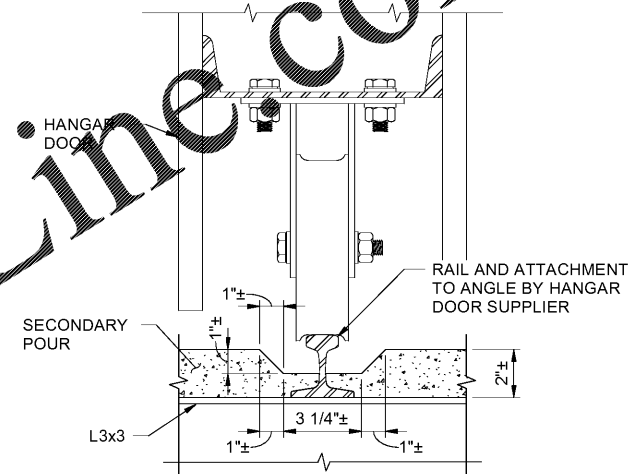
NOTE: CONTRACTOR SHALL COORDINATE PLACEMENT AND DIMENSION OF RAILS AND SECONDARY CONCRETE POUR WITH SELECTED HANGAR DOOR MANUFACTURER.



C1 FOUNDATION UNDER HANGAR DOORS
SCALE: N.T.S.

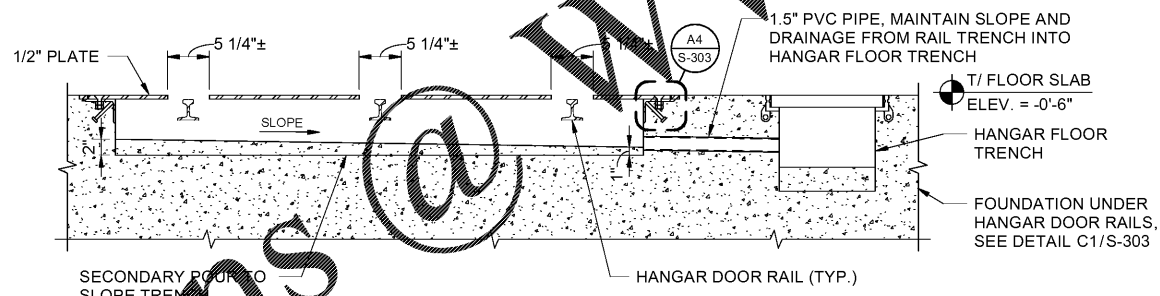
TRENCH GRATING SPECIFICATIONS:

- BASIS OF DESIGN - EAST JORDAN IRON WORKS
 - TRENCH GRATING: 6954M2
 - TRENCH RAIL: 6950
- MATERIAL: GRAY IRON (CL35B) OR EQUIVALENT
- LOAD RATING:
 - HEAVY DUTY (AASHTO M306)
 - 30 kip WHEEL LOADING
- OPEN AREA IN TRENCH GRATING = APPROX. 112 IN²

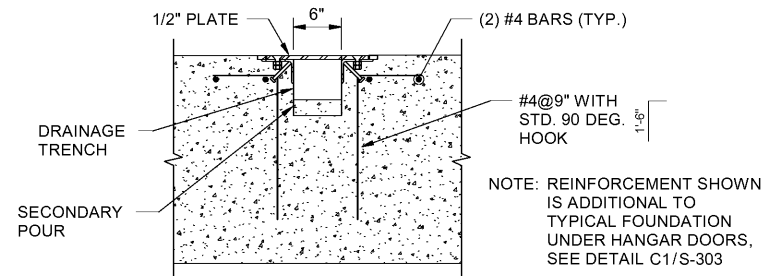


C4 DOOR RAIL SECTION
SCALE: N.T.S.

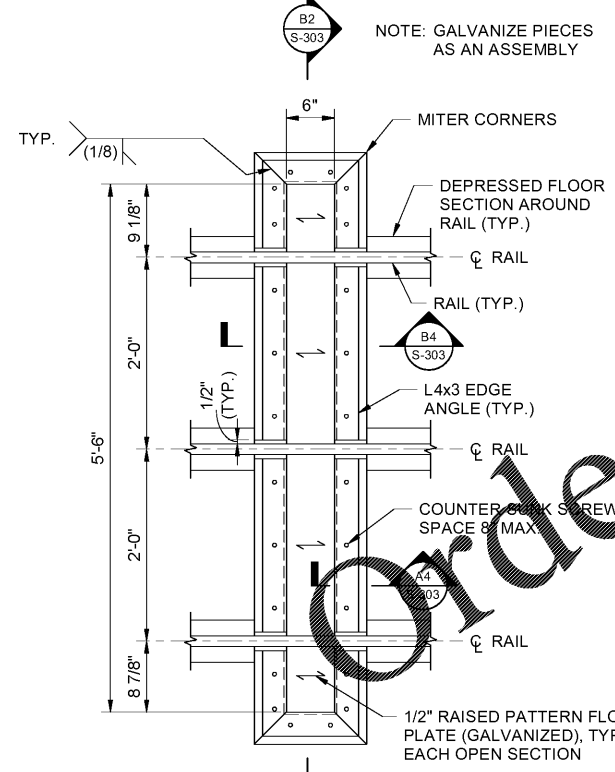
NOTE: COORDINATE WIDTH OF OPENINGS WITH HANGAR DOOR SUPPLIER



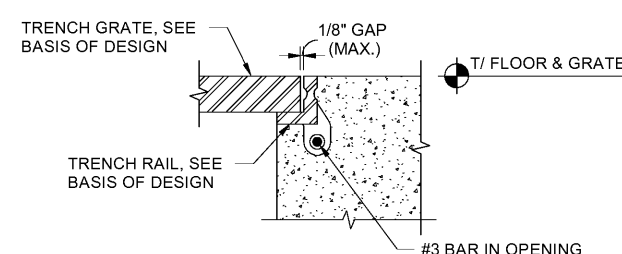
B2 SECTION THROUGH RAIL DRAINAGE TRENCH
SCALE: N.T.S.



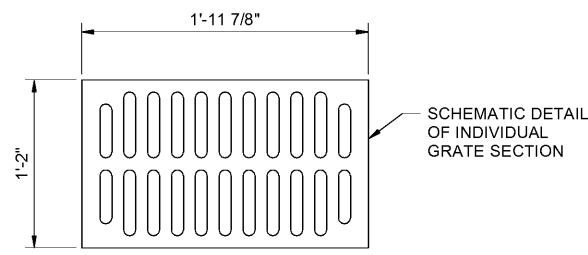
B4 SECTION THROUGH RAIL TRENCH
SCALE: N.T.S.



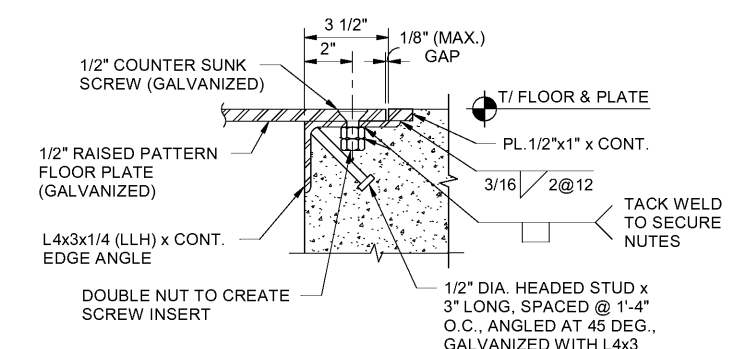
A1 RAIL DRAINAGE TRENCH PLAN
SCALE: N.T.S.



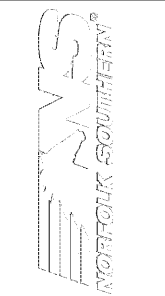
A2 GRATING SUPPORT
SCALE: N.T.S.



A3 TRENCH GRATE SCHEMATIC
SCALE: N.T.S.



A4 TRENCH PLATE SUPPORT
SCALE: N.T.S.



MARK	DESCRIPTION	DATE

DESIGNED BY: POND & COMPANY	DRAWN BY: POND & COMPANY	CHECKED BY: POND & COMPANY	DATE: 11/19/2020
SUBMITTED FOR CONSTRUCTION: EPA			
ISSUED FOR CONSTRUCTION: 11-19-2020			

NORFOLK SOUTHERN CORP. 1200 PEACHTREE STREET, NE ATLANTA, GEORGIA 30309	 3000 Peachtree Lane, Suite 200 Atlanta, Georgia 30328 Phone: (404) 335-7740 Fax: (404) 335-7740 Job No. 1185517
---	---

CORPORATE ARCHITECT HANGAR FOR NORFOLK SOUTHERN CORPORATION FULTON COUNTY AIRPORT - BROWN FIELD (FTY) 3825 AVIATION CIRCLE, SUITE 200 ATLANTA, GEORGIA 30338	DETAILS SHEET ID S-303
---	--

7/13/2020 10:57:30 AM BIM 360//1180557 - Pegasus/1180557_Pegasus_NS_Struct_V19.rvt