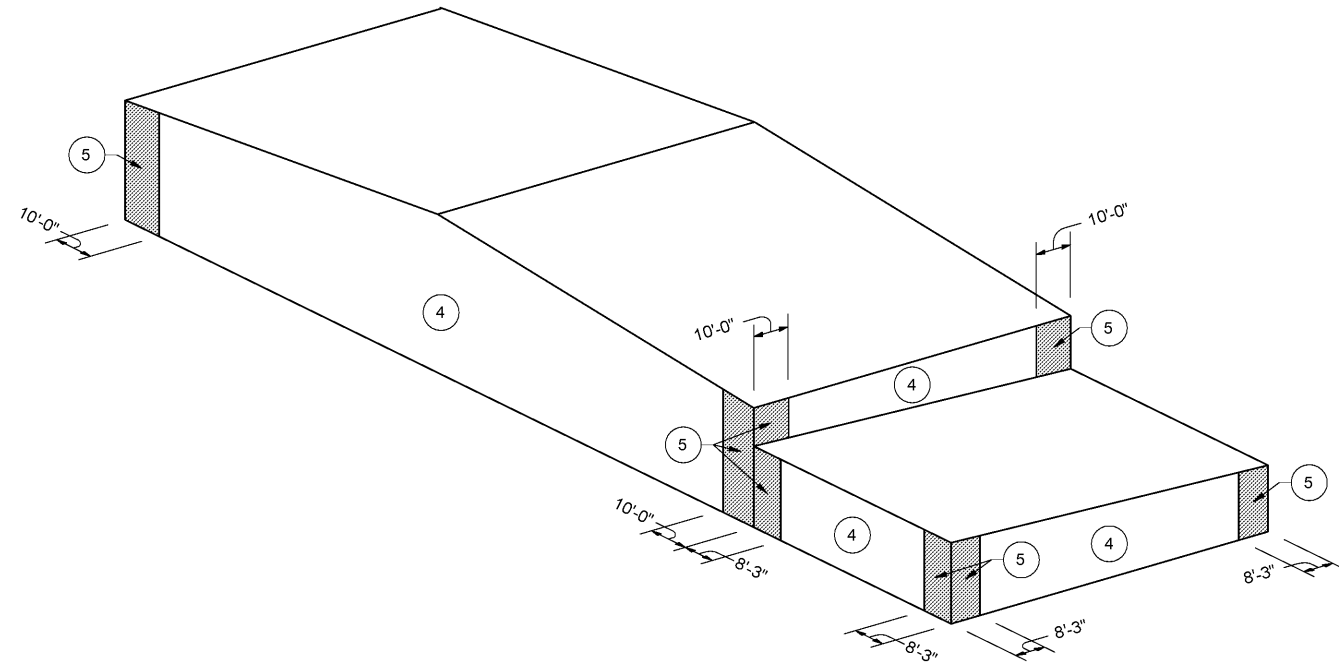


D

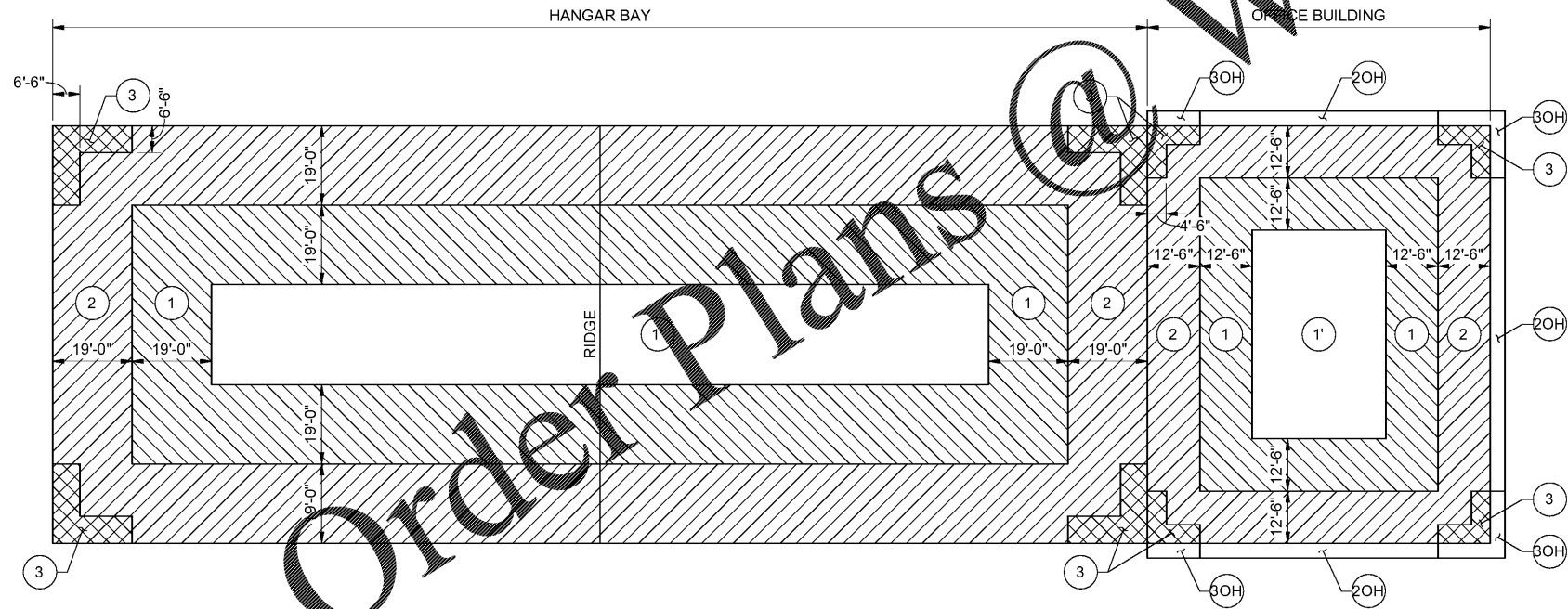
C



C1 WALL COMPONENTS & CLADDING WIND LOAD DIAGRAM
SCALE: N.T.S.

B

A



A1 ROOF COMPONENTS & CLADDING WIND LOAD DIAGRAM
SCALE: N.T.S.

WIND LOADING NOTES:

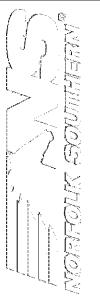
1. POSITIVE VALUES ACT TOWARD THE ROOF SURFACE (COMPRESSION) AND NEGATIVE VALUES ACT AWAY FROM THE ROOF SURFACE (UPLIFT).
2. FOR ROOF JOIST DESIGN, NET UPLIFT = SCHEDULED VALUE + 6 psf.
3. LINEAR INTERPOLATION PERMITTED BETWEEN VALUES.
4. VALUES INDICATED IN TABLES ARE FACTORED LOADS IN ACCORDANCE WITH ASCE 7-16.

ROOF COMPONENTS AND CLADDING WIND PRESSURE SCHEDULE (psf)

ZONE	EFFECTIVE WIND AREA			
	AREA ≤ 10 S.F.	AREA = 25 S.F.	AREA = 50 S.F.	100 S.F. ≤ AREA
OFFICE BUILDING				
1'	16.0 / -16.0	16.0 / -16.0	16.0 / -16.0	16.0 / -16.0
1	16.0 / -25.2	16.0 / -25.3	16.0 / -24.5	16.0 / -23.9
2	16.0 / -42.9	16.0 / -37.7	16.0 / -33.0	16.0 / -28.4
3	16.0 / -66.1	16.0 / -54.7	16.0 / -39.7	16.0 / -28.4
20H	-41.7	-40.8	-40.1	-39.6
30H	-66.1	-48.4	-35.1	-21.7
HANGAR BAY				
1'	16.0 / -26.4	16.0 / -26.4	16.0 / -26.4	16.0 / -26.4
1	16.0 / -46.0	16.0 / -42.0	16.0 / -38.9	16.0 / -35.9
2	16.0 / -60.6	16.0 / -55.5	16.0 / -51.6	16.0 / -47.7
3	16.0 / -82.6	16.0 / -72.3	16.0 / -64.5	16.0 / -56.7

WALL COMPONENTS AND CLADDING WIND PRESSURE SCHEDULE (psf)

ZONE	EFFECTIVE WIND AREA			
	AREA ≤ 10 S.F.	AREA = 50 S.F.	AREA = 200 S.F.	500 S.F. ≤ AREA
OFFICE BUILDING				
4	23.9 / -25.9	21.5 / -23.5	19.4 / -21.4	18.0 / -20.0
5	23.9 / -31.9	21.5 / -27.0	19.4 / -22.8	18.0 / -20.0
HANGAR BAY				
4	26.4 / -28.6	23.7 / -25.9	21.4 / -23.6	19.8 / -22.0
5	26.4 / -35.2	23.7 / -29.8	21.4 / -25.1	19.8 / -22.0



MARK	DESCRIPTION	DATE

DESIGNED BY:
DRAWN BY:
CHECKED BY:
SUBMITTED BY:
ISSUED FOR CONSTRUCTION:
13-07-2020

NORFOLK SOUTHERN CORP
1200 PEACHTREE STREET, NE
ATLANTA, GEORGIA 30309
POND
3002 Peachtree Lane, Suite 200
Atlanta, Georgia 30328
Phone (404) 335-7740
Fax (404) 335-7740
JOB NO. 1185537

CORPORATE AIRCRAFT HANGAR FOR NORFOLK SOUTHERN CORPORATION
FULTON COUNTY AIRPORT - BROWN FIELD (FTY)
3825 AVIATION CIRCLE, SUITE 200
ATLANTA, GEORGIA 30336
WIND LOADING DIAGRAMS

SHEET ID
S-005