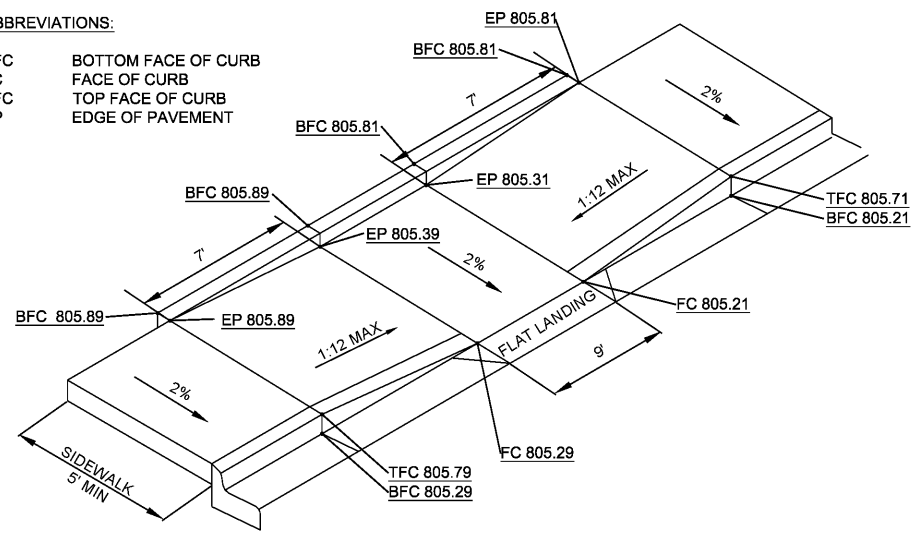
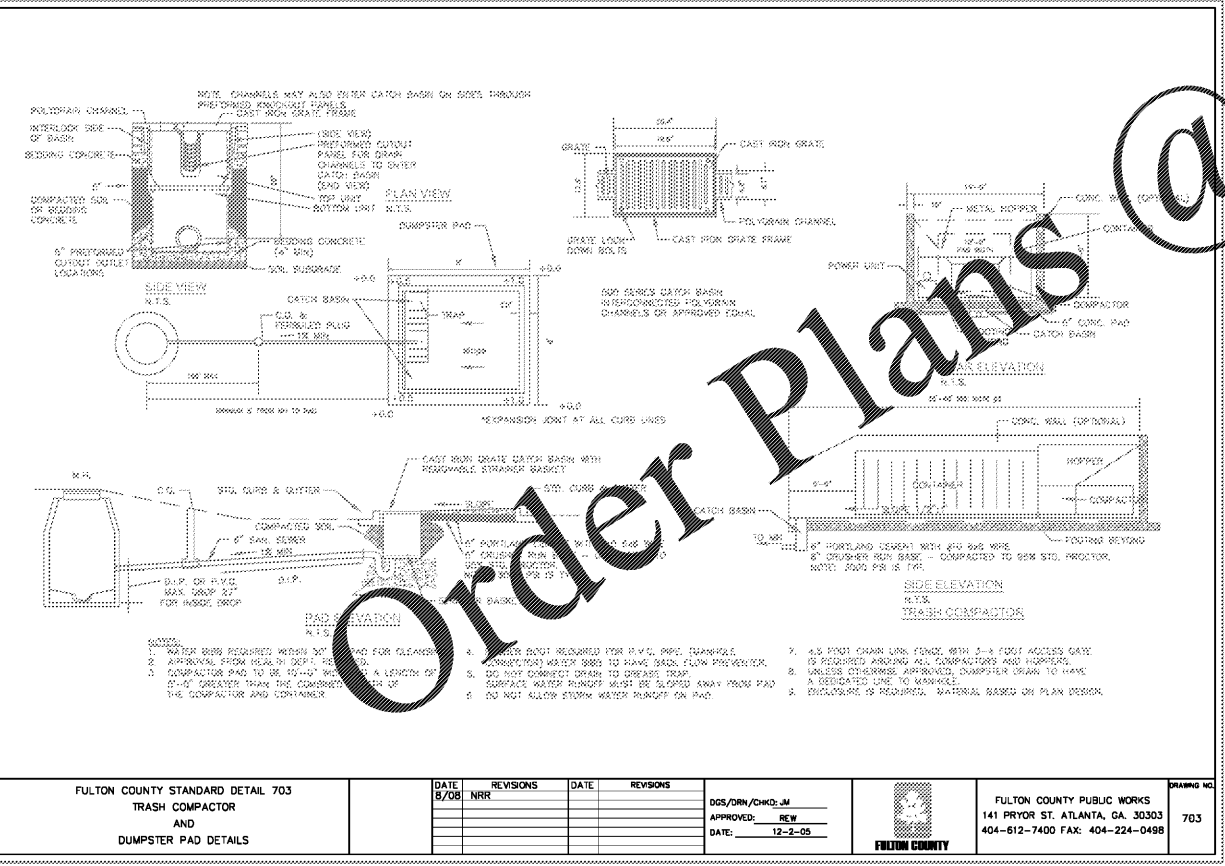


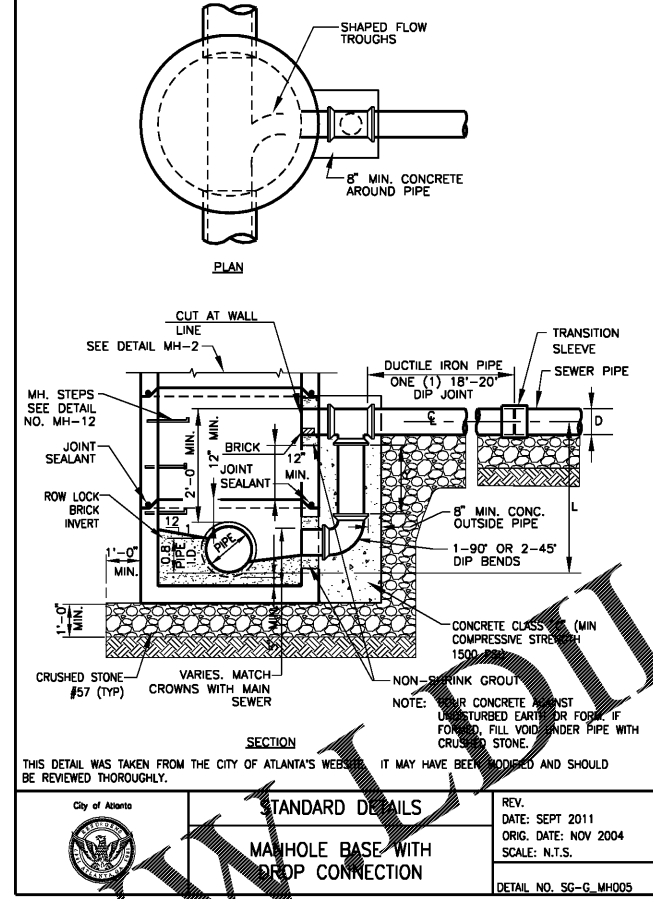
ABBREVIATIONS:
 BFC BOTTOM FACE OF CURB
 FC FACE OF CURB
 TFC TOP FACE OF CURB
 EP EDGE OF PAVEMENT



C1 HANDICAP RAMP
NO SCALE



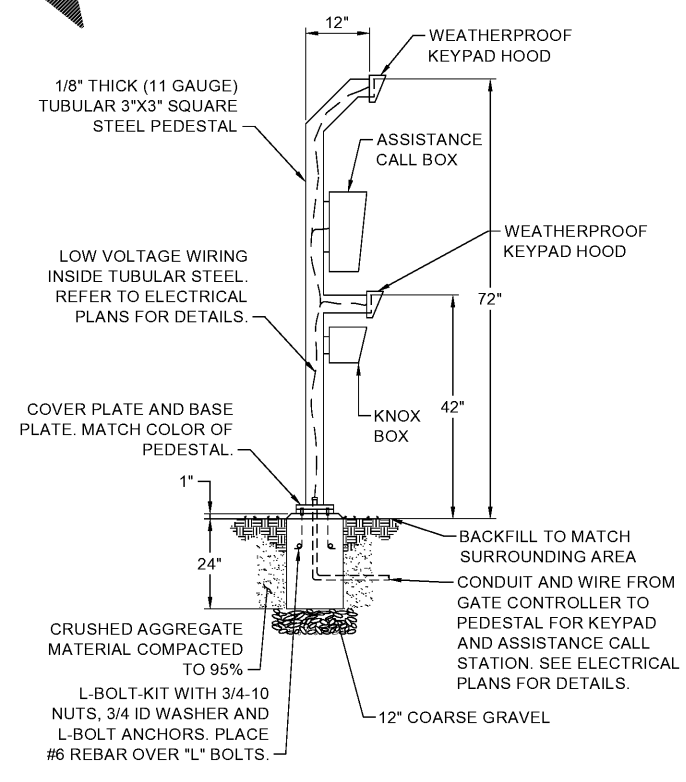
A1 DUMPSTER PAD DRAIN DETAILS
NO SCALE



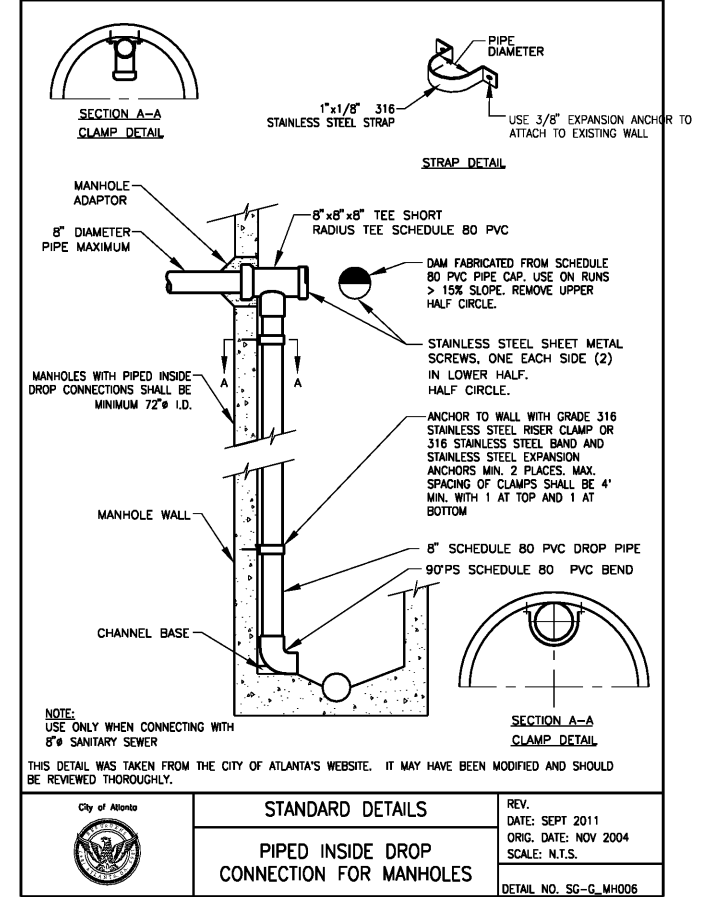
C3 OUTSIDE DROP CONNECTION FOR MANHOLES
NO SCALE

INCOMING SEWER SIZE, (D)	DROP SIZE REQUIRED, (L)	VERTICLE PIPE RUN, (Y1)	VERTICLE PIPE RUN, (Y2)	VERTICLE PIPE RUN, (Y3)	VERTICLE PIPE RUN, (Y4)
8"	24"	8.5"	N/A	6"	N/A
8"	30"	14.5"	9.5"	17"	7"
12"	36"	15.25"	8.25"	5"	5"
18"	48"	19"	9"	15"	5"
24"	60"	21"	9"	16"	N/A
30"	72"	25"	8.5"	22"	5.5"

STANDARD DETAILS
MANHOLE BASE WITH DROP CONNECTION
 REV. DATE: SEPT 2011
 ORIG. DATE: NOV 2004
 SCALE: N.T.S.
 DETAIL NO. SG-G_MH005.1



A3 CARD READER PEDESTAL
NO SCALE



A4 INSIDE DROP CONNECTION FOR MANHOLES
NO SCALE

NORFOLK SOUTHERN

DESIGNED BY: AS
 DRAWN BY: L
 CHECKED BY: AS
 SUBMITTED BY: EA
 ISSUED FOR CONSTRUCTION: DP/MA/YYY

NORFOLK SOUTHERN CORP.
 1200 PEACOCK STREET, NE
 ATLANTA, GEORGIA 30309

POND
 2000 Parkway Lane, Suite 800
 Atlanta, Georgia 30329
 Phone: (404) 525-2100
 Fax: (404) 525-2101
 E-mail: info@pond.com

CORPORATE ARCHITECT HANCOCK FOR NORFOLK SOUTHERN CORPORATION
 392 AMTOWN CIRCLE, SUITE 200
 ATLANTA, GEORGIA 30308

CIVIL DETAILS

SHEET ID: C-510

7/13/2020 7:18:37 AM X:\FY19\19057\04 CAD BIM\04.02 CAD-C-510