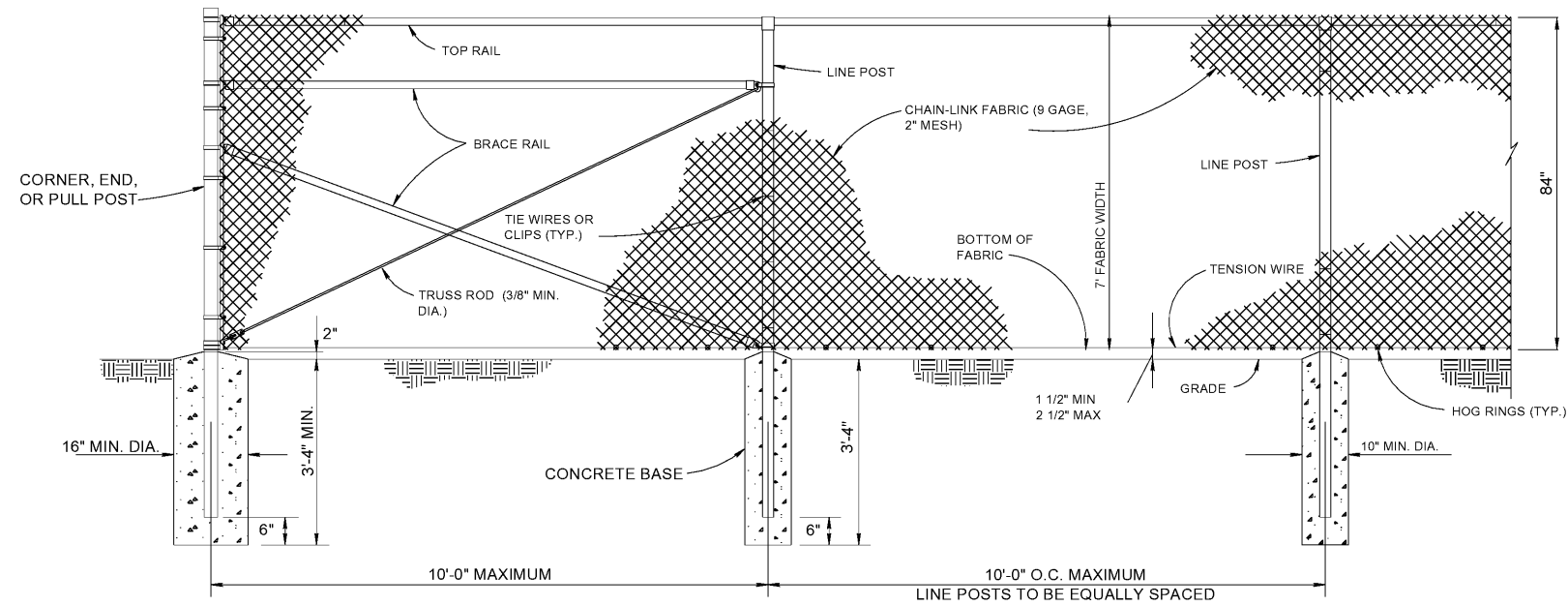


D

C

B

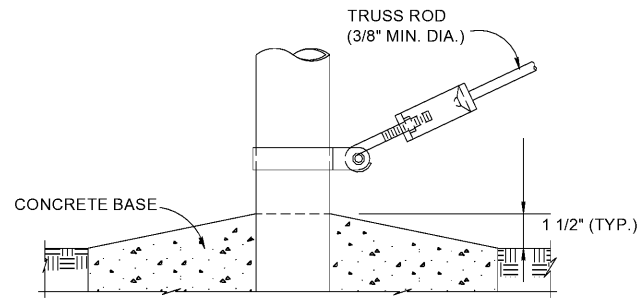
A



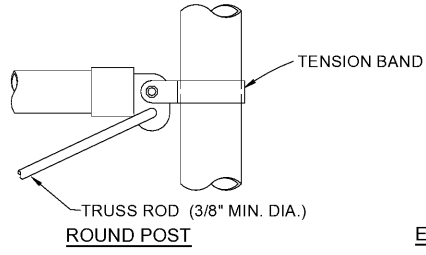
CHAIN-LINK FENCE DETAIL
NO SCALE

STEEL POST SCHEDULE	
USE AND SECTION	MINIMUM OUTSIDE DIMENSIONS (NOMINAL)
CORNER, END & PULL POSTS TUBULAR - ROUND	2.375" O.D.
LINE POSTS TUBULAR - ROUND	2.375" O.D.
TOP, BOTTOM BRACE RAILS TUBULAR - ROUND	1.66" O.D.

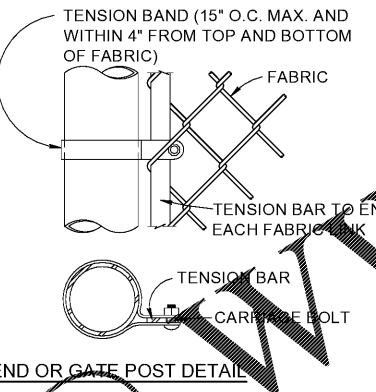
- NOTES:**
1. DETAILS SHOWN ARE TO CLARIFY REQUIREMENTS AND ARE NOT INTENDED TO LIMIT OTHER TYPES OF FENCE SECTIONS AND METHODS OF INSTALLATION THAT COMPLY WITH THE SPECIFICATIONS.
 2. WIRE TIES, RAILS, POSTS, AND BRACES SHALL BE CONSTRUCTED ON THE SECURE SIDE OF THE FENCE ALIGNMENT. CHAIN-LINK FABRIC SHALL BE PLACED ON THE SIDE OPPOSITE THE SECURE AREA.
 3. C-SECTION POSTS SHALL BE INSTALLED SO THAT THE VOID INSIDE THE POST IS COMPLETELY FILLED WITH CONCRETE UP TO THE TOP OF THE FOUNDATION.



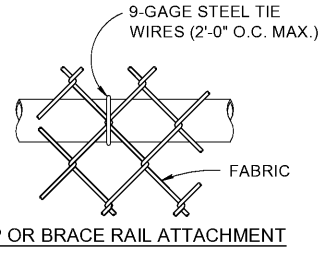
TRUSS ROD AND BAND



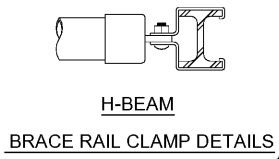
ROUND POST



END OR GATE POST DETAIL



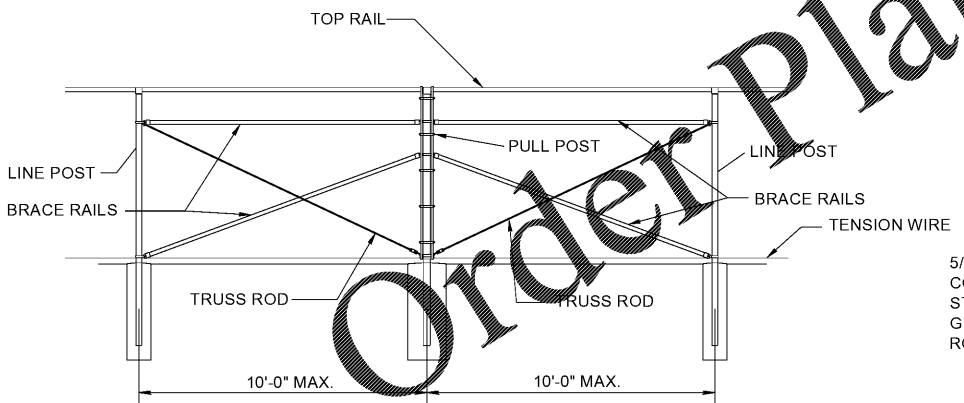
TOP OR BRACE RAIL ATTACHMENT



BRACE RAIL CLAMP DETAILS

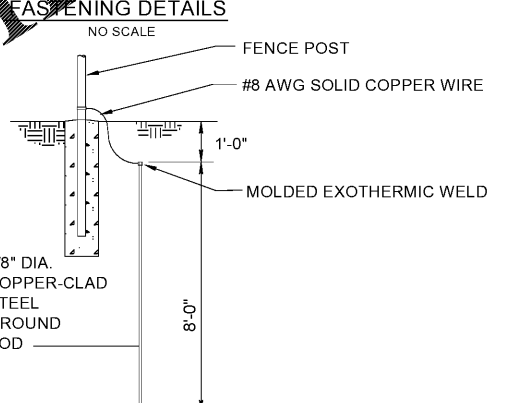


TENSION BAND DETAIL



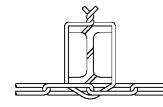
BRACE PANEL DETAIL
NO SCALE

NOTE:
PROVIDE BRACE PANEL WHENEVER STRAIGHT RUNS EXCEED 500 FEET.

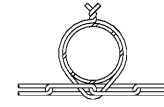


FASTENING DETAILS
NO SCALE

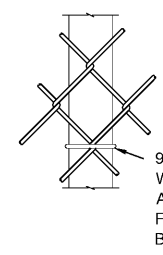
GROUNDING DETAIL
NO SCALE



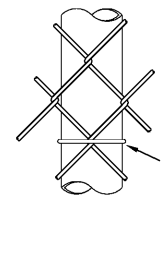
H-BEAM



ROUND POST



9-GAGE STEEL TIE WIRE (15" O.C. MAX. AND WITHIN 4" FROM TOP AND BOTTOM OF FABRIC)



9-GAGE STEEL TIE WIRE (15" O.C. MAX. AND WITHIN 4" FROM TOP AND BOTTOM OF FABRIC)

LINE POST ATTACHMENTS
NO SCALE

Order Plans @ www.LDILLINE.com

A1 CHAIN LINK FENCE DETAIL
NO SCALE



DATE	DESCRIPTION	MARK

DESIGNED BY:	AS
DRAWN BY:	AS
CHECKED BY:	AS
SUBMITTED BY:	EA
ISSUED FOR CONSTRUCTION:	EA
DATE:	DD-MMM-YYYY

POND
2000 Parkway Lane, Suite 600
Atlanta, Georgia 30308
Phone: (404) 258-7240
Fax: (404) 258-7241
E-Mail: info@pond.com

CORPORATE AIRCRAFT HANGAR FOR NORFOLK SOUTHERN CORPORATION
FULTON COUNTY AIRPORT - BROWN FIELD (F71)
3902 AMTOWN CIRCLE, SUITE 200
ATLANTA, GEORGIA 30308

SHEET ID
C-507

7/13/2020 7:18:37 AM X:\FY19\190557\04 CAD BIM\04.02.CADC-507