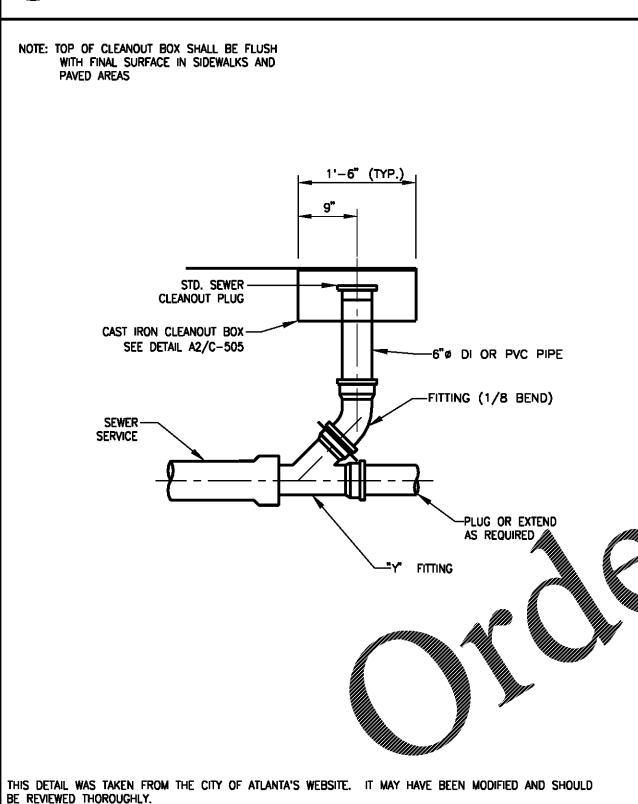
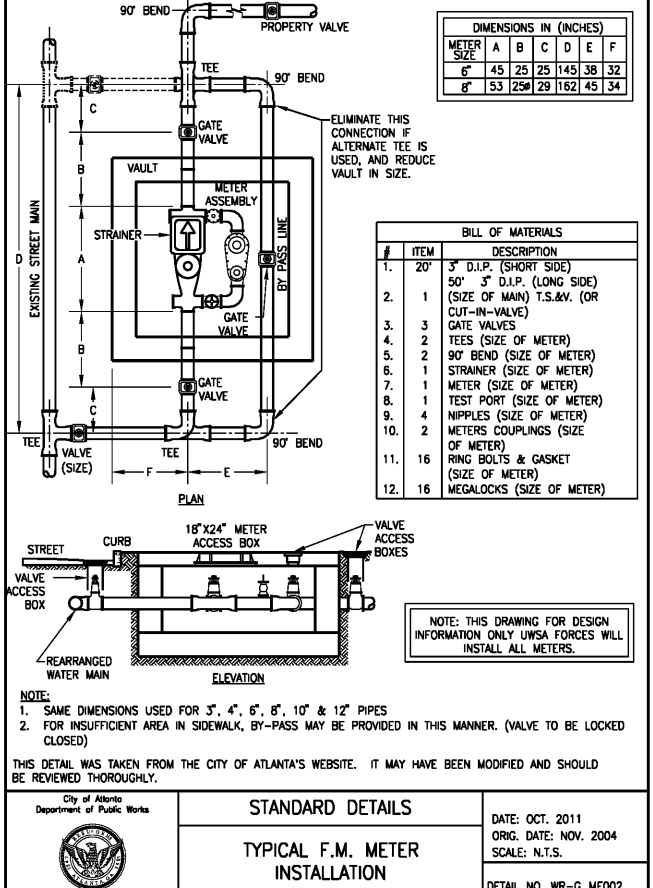


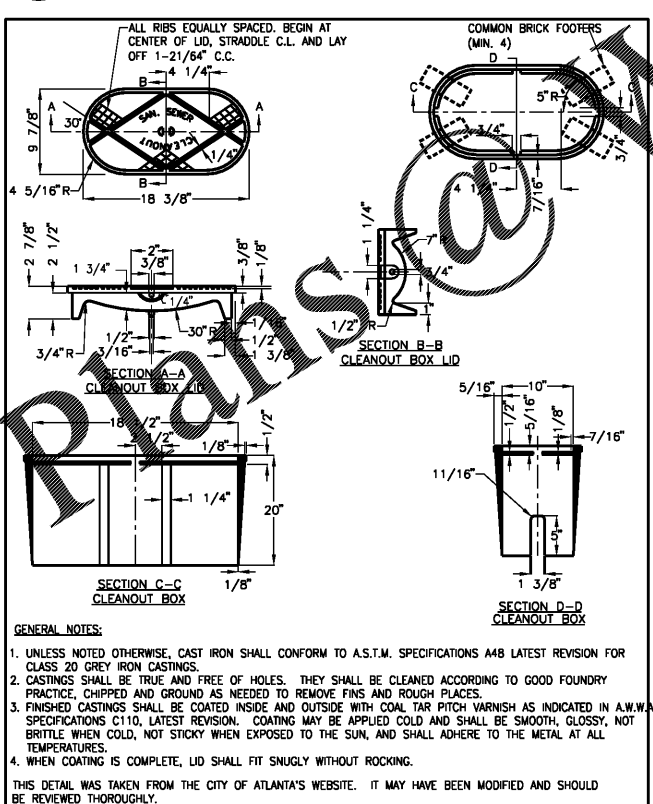
**C1 DOGHOUSE MANHOLE**  
NO SCALE



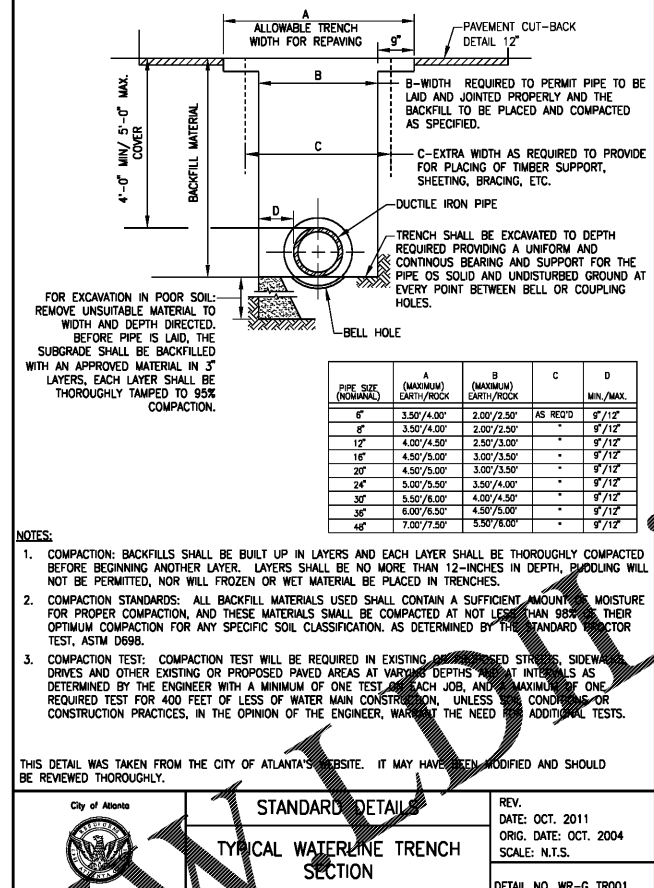
**A1 SERVICE CONNECTION CLEANOUT**  
NO SCALE



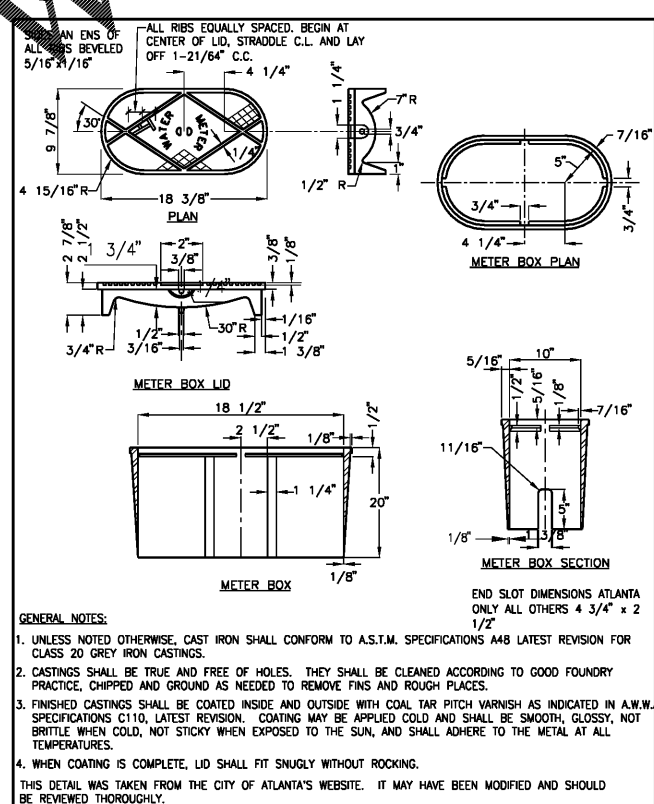
**C2 FIRE METER INSTALLATION**  
NO SCALE



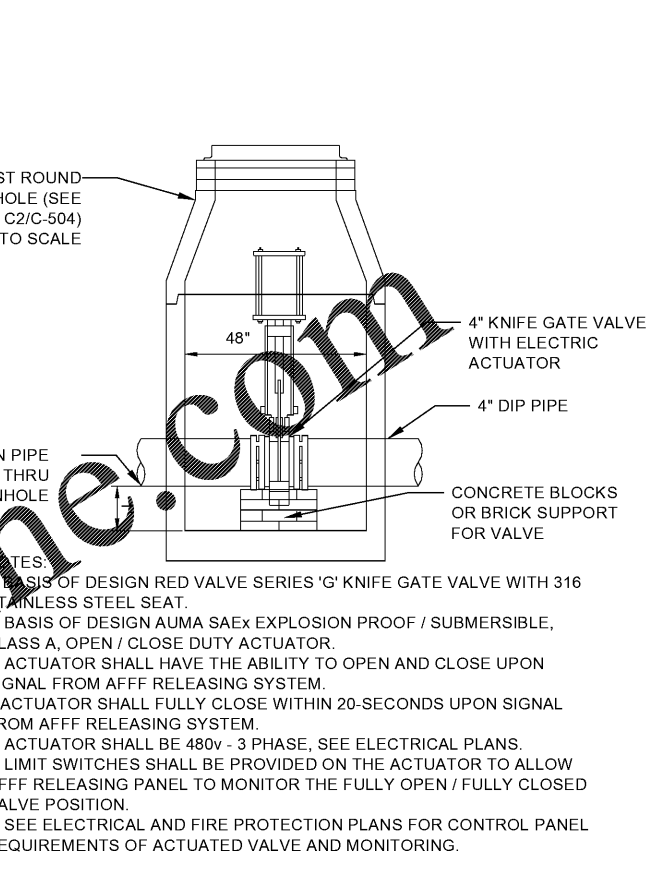
**A2 SANITARY CLEANOUT BOX**  
NO SCALE



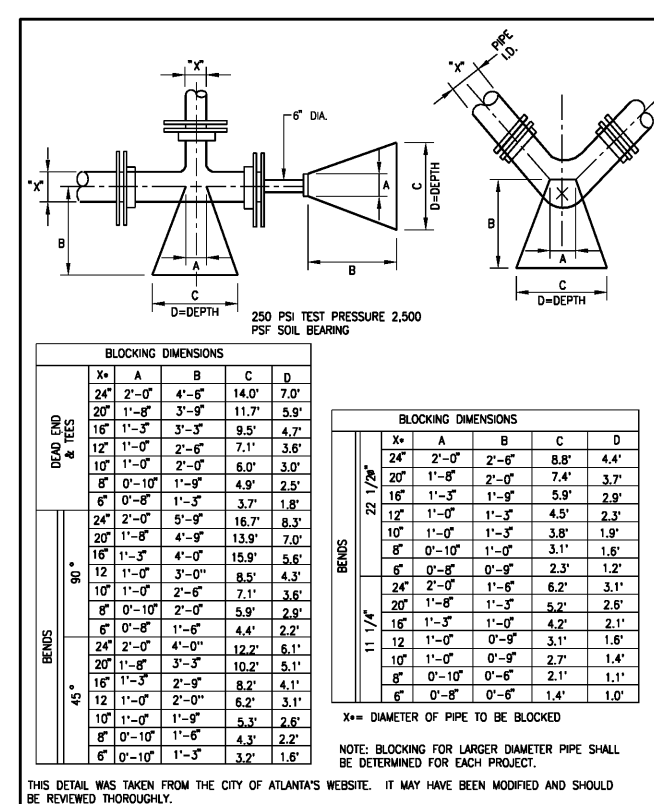
**C3 TYPICAL WATERLINE TRENCH SECTION**  
NO SCALE



**A3 TYPICAL METER BOX ASSEMBLY**  
NO SCALE



**C4 MANHOLE WITH GATE VALVE**  
NO SCALE



**A4 TYPICAL BLOCKING**  
NO SCALE

**NORFOLK SOUTHERN**

DESIGNED BY: AS  
DRAWN BY: AS  
CHECKED BY: AS  
SUBMITTED BY: EA  
ISSUED FOR CONSTRUCTION: DP/MA/YYY

NORFOLK SOUTHERN CORP.  
1200 PEACHTREE STREET, NE  
ATLANTA, GEORGIA 30309

**POND**  
3000 Parkway Lane, Suite 800  
Atlanta, Georgia 30328  
Phone (404) 252-7240  
Fax (404) 252-7241  
E-Mail: info@pond.com  
CPL No. 11005514

CORPORATE ARCHITECT FOR NORFOLK SOUTHERN CORPORATION  
FULTON COUNTY AIRPORT - BROWN FIELD (F7)  
3902 AMTOWN CIRCLE, SUITE 200  
ATLANTA, GEORGIA 30308

CIVIL DETAILS

SHEET ID

**C-505**