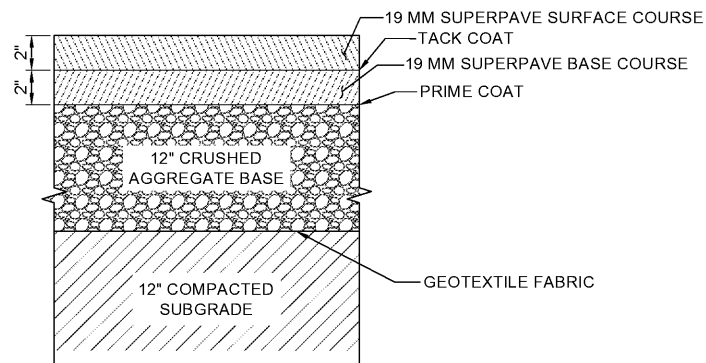
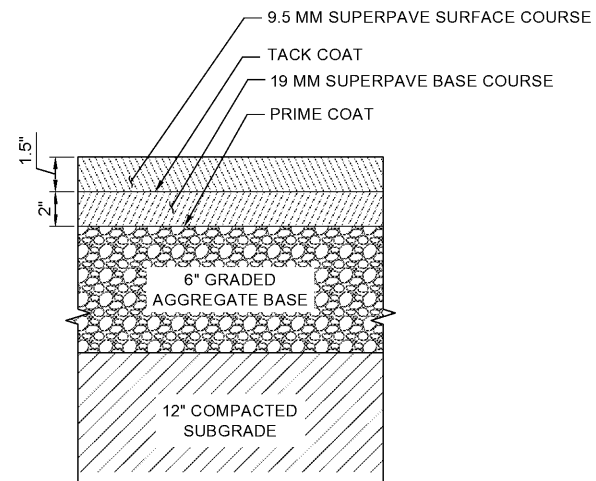


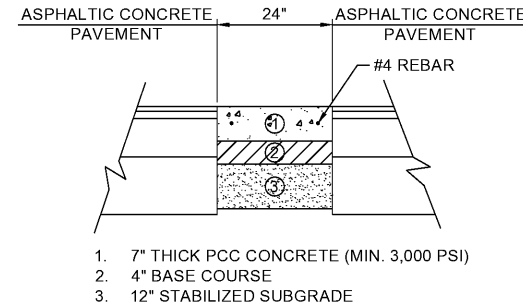
D1 1.5" DROP AT PAVED SHOULDER EDGE
NO SCALE



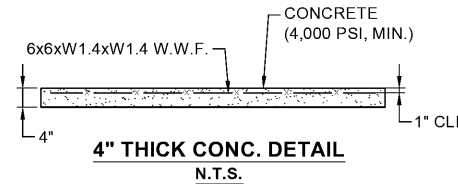
C1 TAXILANE ASPHALT PAVEMENT
NO SCALE



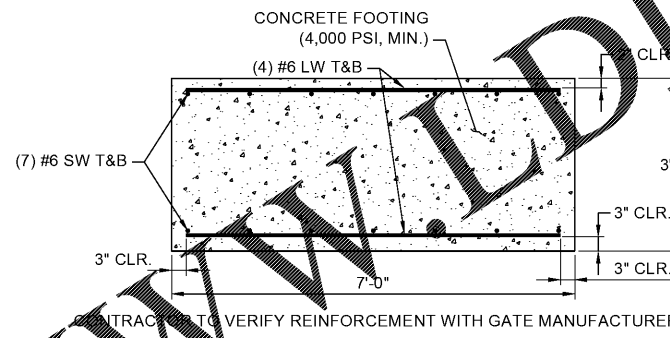
B1 STANDARD BITUMINOUS PAVEMENT
NO SCALE



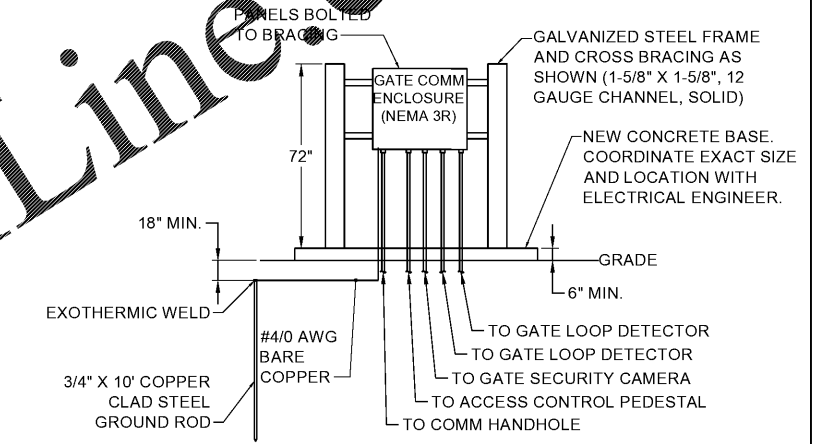
24" WIDE x 7" THICK CONCRETE AT GATE
N.T.S.



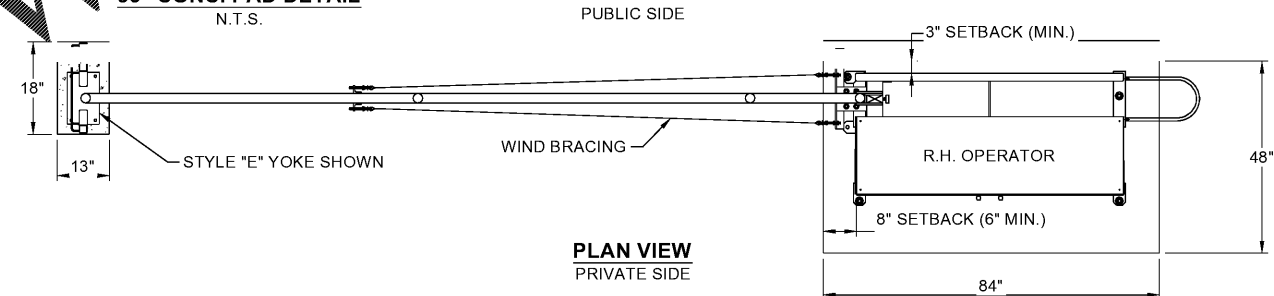
4" THICK CONC. DETAIL
N.T.S.



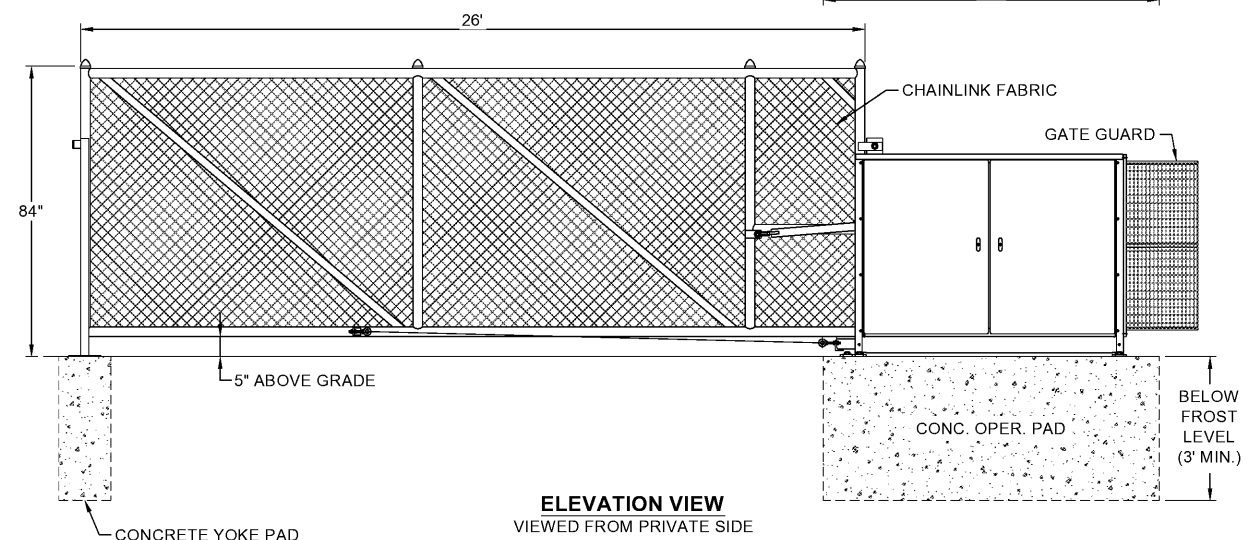
36" CONC. PAD DETAIL
N.T.S.



COMMUNICATION PANEL DETAIL
N.T.S.



PLAN VIEW
PRIVATE SIDE



ELEVATION VIEW
VIEWED FROM PRIVATE SIDE

- NOTES:
- VERTICAL PIVOT GATE SHALL BE AUTOGATE SERIES 300 CHAINLINK WITH OPERATOR VPG 24-LM; CLASS IV SECURE COMMERCIAL; LED LIGHT PACKAGE; BOTTOM OF GATE CONTACT SENSORS.
 - SHOP DRAWING APPROVAL REQUIRED PRIOR TO MANUFACTURING GATES.
 - VERTICAL PIVOT GATE LENGTH TO BE SITE SPECIFIC. DIMENSIONS TO BE ADJUSTED TO MATCH FIELD CONDITIONS. OVERALL HEIGHT TO MATCH FENCING DETAIL SHOWN ON C-507.
 - PROVIDE POST, FOUNDATION AND CONCRETE PAD AS PER MANUFACTURER'S REQUIREMENTS.
 - PROVIDE INTEGRAL CURB ARRESTOR FOR GATE OPERATOR.
 - FENCE BRACING PER REQUIREMENTS ON DETAIL A1/C-507.



MARK	DESCRIPTION	DATE

DESIGNED BY: AS	CHECKED BY: AS	ISSUED FOR CONSTRUCTION: EA
DRAWN BY: AS	DATE: 	

POND
2000 Parkway Lane, Suite 800
Atlanta, Georgia 30338
Phone: (404) 238-7240
Fax: (404) 238-7241
E-MAIL: INFO@POND.COM

NORFOLK SOUTHERN CORP.
1200 PEACHTREE STREET, NE
ATLANTA, GEORGIA 30309

CIVIL DETAILS

SHEET ID
C-503

A3 PIVOT GATE
NO SCALE

Order Plans @ WWW.DIline.com

7/13/2020 7:18:19 AM X:\FY19\19055704\CAD BIM\04.02.CADC-501