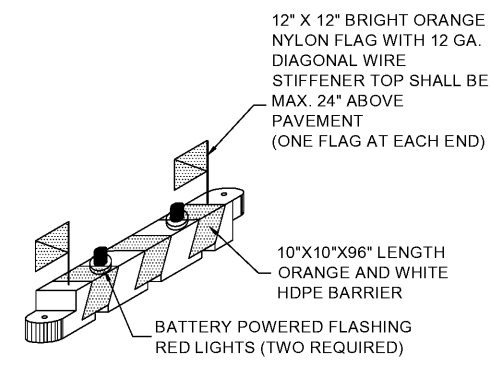


D

C

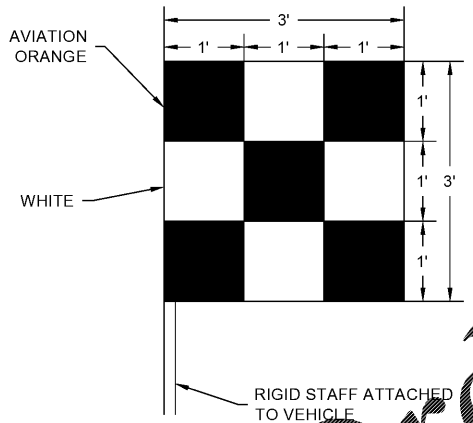
B

A



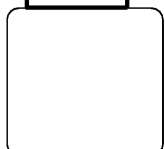
- BARRIER NOTES:**
1. TYPICAL BARRIER TO BE PLACED ALONG THE LIMITS OF THE PHASES OF WORK, AS SHOWN IN THESE PLANS, TO DELINEATE THE CONTRACTOR'S WORK AREAS.
  2. BARRIER SECTIONS SHALL BE WHITE WITH ORANGE STRIPES.
  3. ALL BARRIERS SHALL BE CHECKED VISUALLY FOR SIGNS OF WEAR AND TEAR ON A WEEKLY BASIS AND REPLACED AS NEEDED.
  4. ALL LIGHT FIXTURES SHALL BE VERIFIED OPERATIONAL BY CONTRACTOR DAILY.
  5. BARRIERS SHALL BE PLACED NO MORE THAN 4' APART.
  6. BARRIERS IN MOVEMENT AREAS SHALL MEET THE REQUIREMENTS OF HAZARD MARKING LIGHTING AND SIGNING AC 1501.370-2G, SECTION 2.20

**(A1) CONSTRUCTION BARRIER**  
NO SCALE



**NOTE:**  
ALL VEHICLES OPERATING WITHIN THE AIRCRAFT OPERATIONS AREA MUST BE IDENTIFIED WITH THIS FLAG OR OTHER APPROVED MEANS AS REQUIRED IN THE PLANS AND IN THE GENERAL REQUIREMENTS SECTION OF THE SPECIFICATIONS. ALL VEHICLES SHALL BE CLEARLY LABELED WITH THE CONTRACTOR'S COMPANY NAME. COST FOR THESE ITEMS SHALL BE INCIDENTAL TO MOBILIZATION.

**(A1) CONSTRUCTION EQUIPMENT IDENTIFICATION FLAG**  
NO SCALE



MARK	DESCRIPTION	DATE

DESIGNED BY: AS	CHECKED FOR CONSTRUCTION: EA
DRAWN BY: AS	ISSUED FOR CONSTRUCTION: DP/MA/YY
CHECKED BY: AS	
AS	

**NORFOLK SOUTHERN CORP.**  
1200 PEACHTREE STREET, NE  
ATLANTA, GEORGIA 30309

**POND**  
2000 Parkway Lane, Suite 600  
Atlanta, Georgia 30329  
Phone: (404) 238-7240  
Fax: (404) 238-7241  
E-MAIL: POND@NS.COM

CORPORATE AIRCRAFT HANGAR FOR NORFOLK SOUTHERN CORPORATION  
FULTON COUNTY AIRPORT - BROWN FIELD (F71)  
3922 AMATION CIRCLE, SUITE 200  
ATLANTA, GEORGIA 30308

**CONSTRUCTION SAFETY PHASING DETAILS**

SHEET ID  
**GC501**

7/13/2020 7:13:37 AM X:\FY19\190557\04.CAD BIM\04.02.CAD\GC501